



**DOOR SYSTEM LIMITATIONS**  
 MAXIMUM DOOR WEIGHT: 220 lbs. (100 kg)  
 MAXIMUM PANEL WIDTH: 53 1/2" (1.36m)  
 MAXIMUM PANEL HEIGHT: 98 7/16" (2.50m)  
 MAXIMUM TRACK LENGTH: 104" (2.64m)

- \* ANTI-LIFT FEATURE FOR ADDED SAFETY
- \* ALL 316 ALLOY BRUSHED STAINLESS STEEL CONSTRUCTION
- \* IDEAL FOR INTERIOR APPLICATIONS
- \* FOR USE WITH 3/8" OR 1/2" (10mm OR 12mm) GLASS
- \* COMES WITH ALL FASTENERS NEEDED FOR EITHER FLUSH (COUNTERSUNK) OR SURFACE (STRAIGHT HOLE) MOUNTING
- \* ADAPTOR KITS AVAILABLE FOR WOOD DOOR APPLICATIONS

# CRL LSWM5BS / LS412BS LAGUNA SERIES CEILING MOUNT SINGLE SLIDER

Revisions By:

---



---

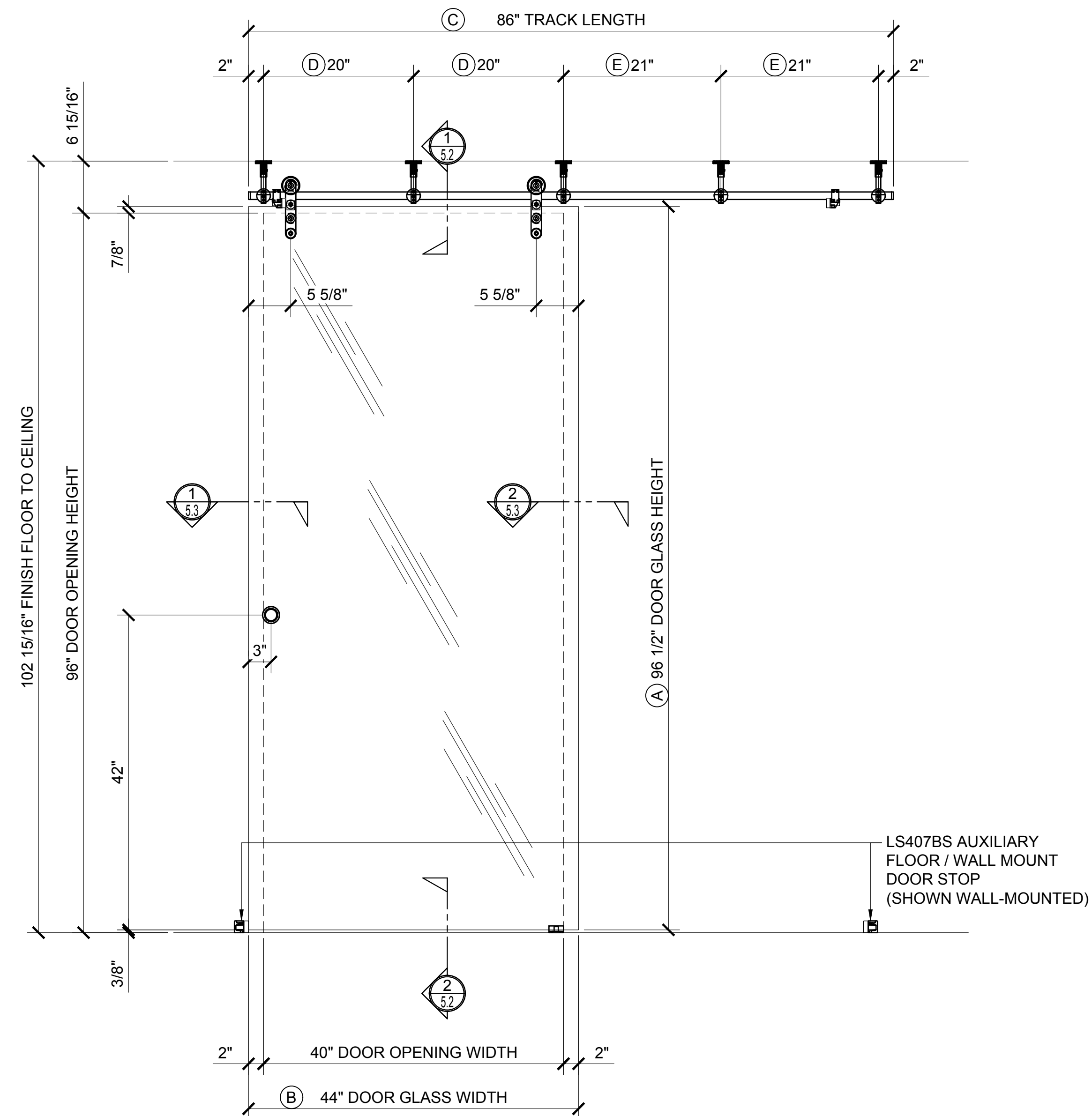


---

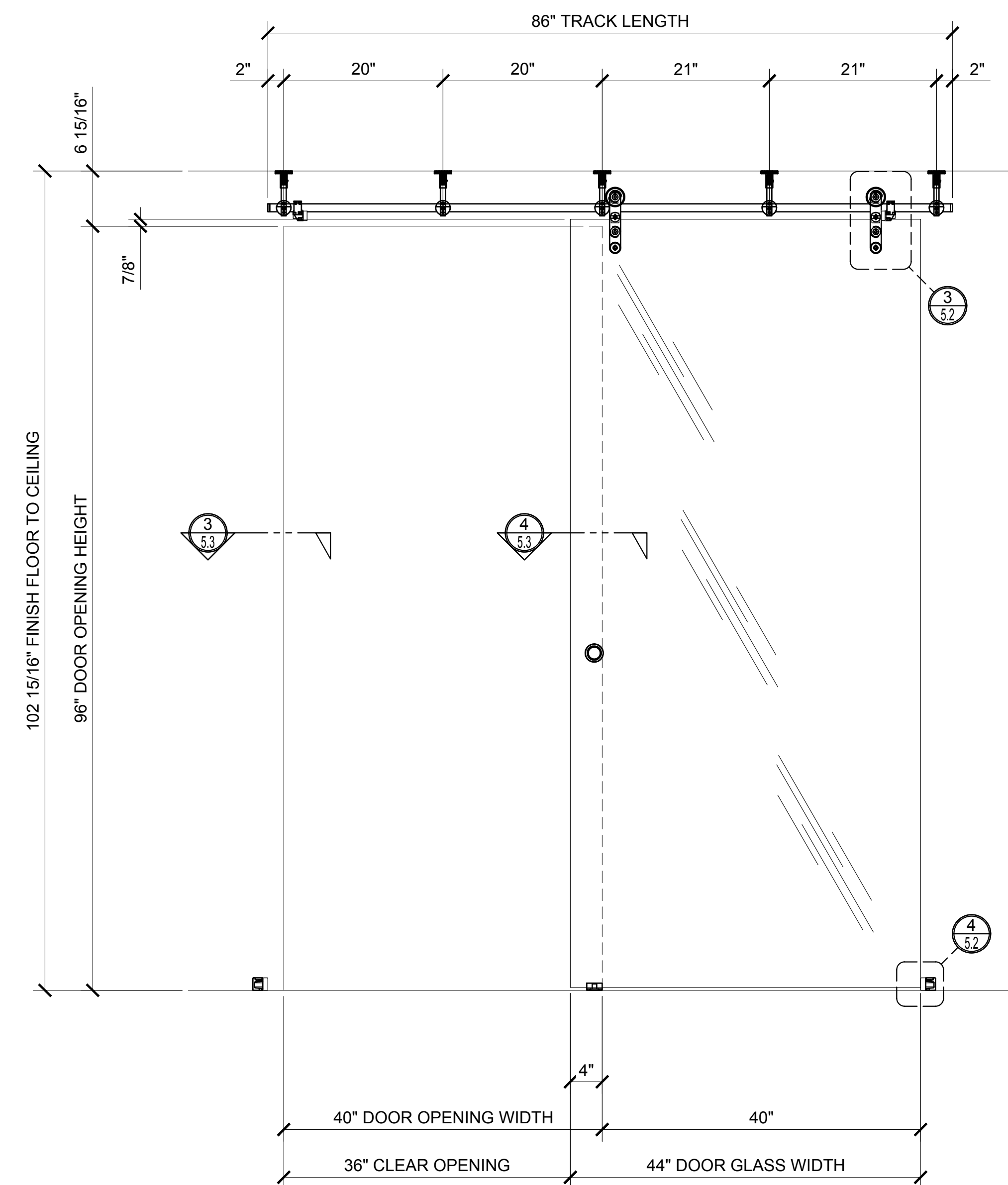


---

C.R. LAURENCE CO. ARCHITECTURAL PRODUCTS  
 2503 E. Vernon Avenue, Los Angeles, CA 90058-1897  
 PH: (800)-421-6144 FX: 800-587-7301 www.crlaurence.com



**① LAGUNA SERIES DOOR (CLOSED)**  
 ARCH REF: NONE 1"=1'-0"



**② LAGUNA SERIES DOOR (OPEN)**  
 ARCH REF: NONE 1"=1'-0"

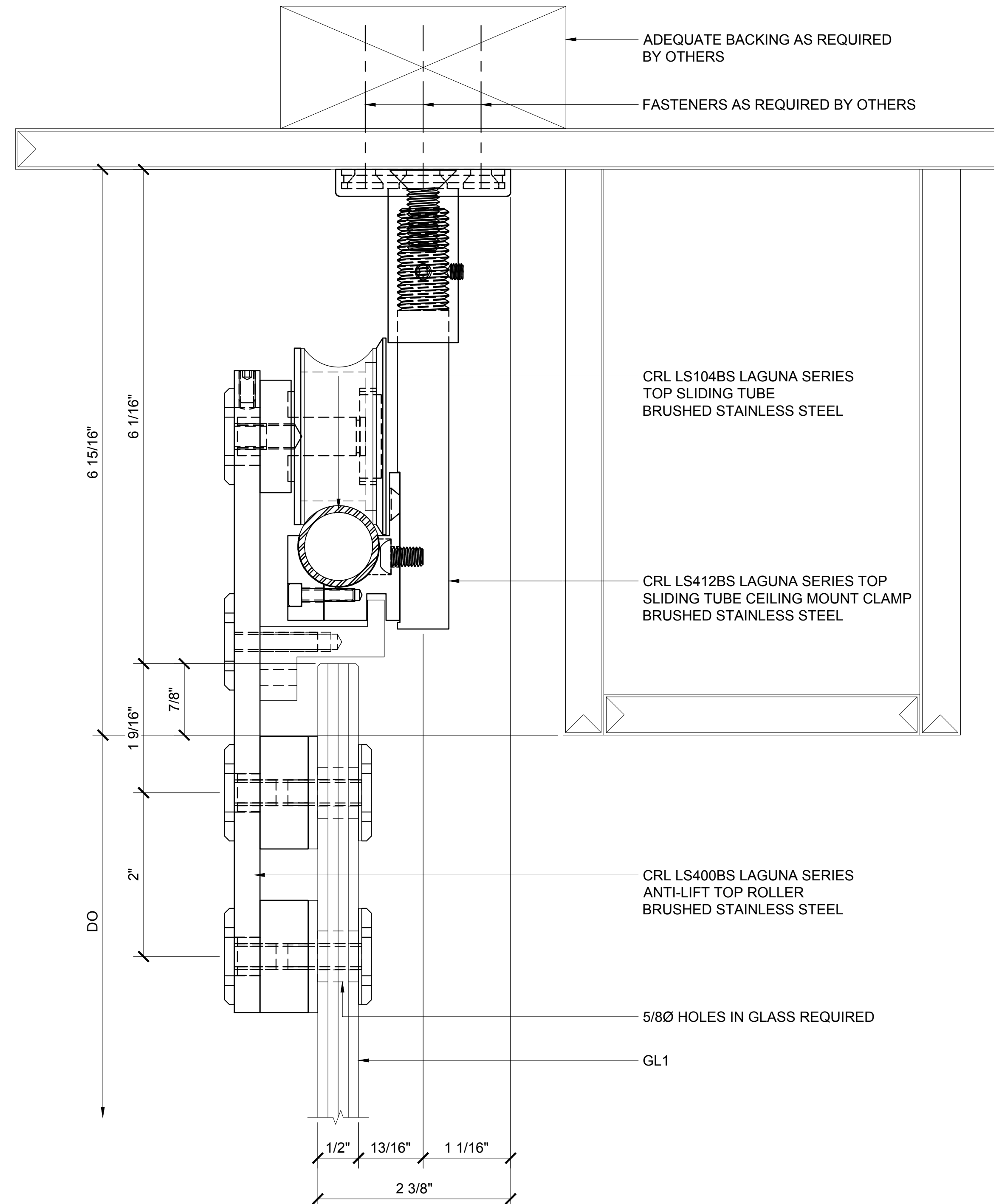
- Ⓐ D.O.H. + 1/2"
- Ⓑ D.O.W. + 4"
- Ⓒ (D.O.W. x 2) + 6"
- Ⓓ D.O.W. / 2
- Ⓔ (Ⓑ / 2) - 1"

D.O.H. = DOOR OPENING HEIGHT  
 D.O.W. = DOOR OPENING WIDTH

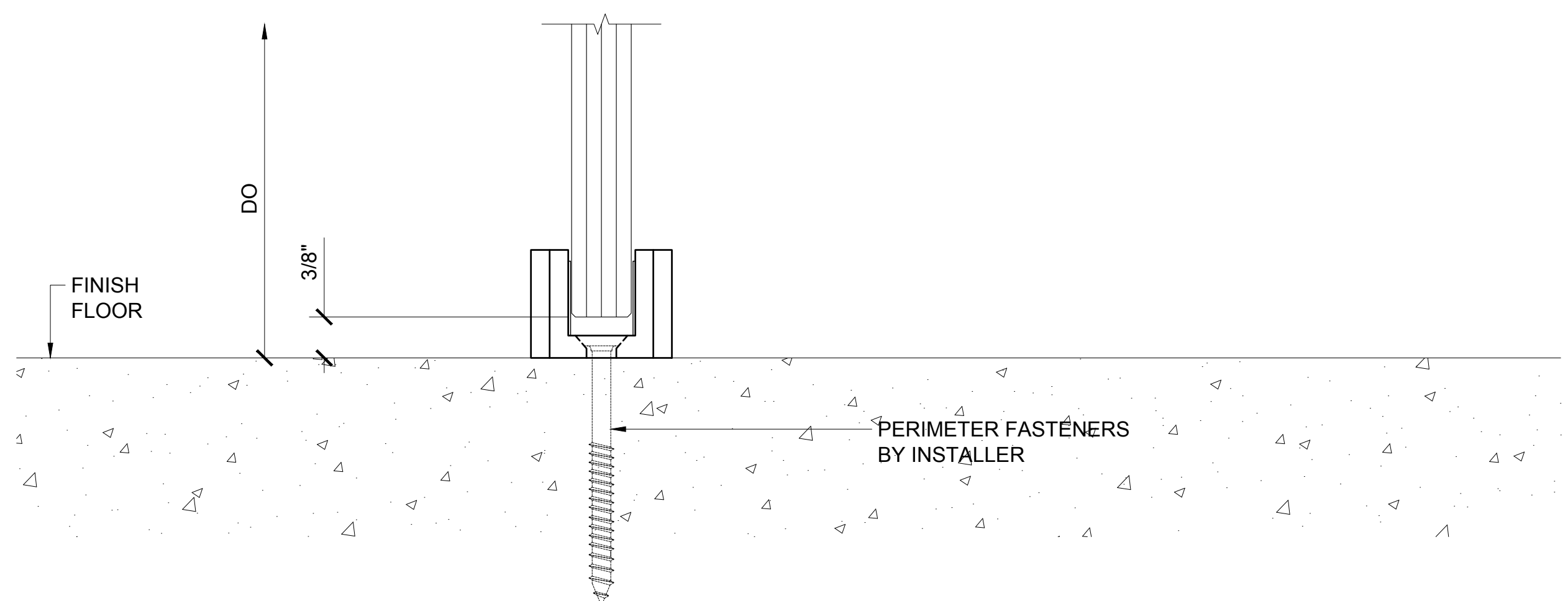
Discipline:

CRL LAGUNA OFFICE  
 PARTITION SYSTEM

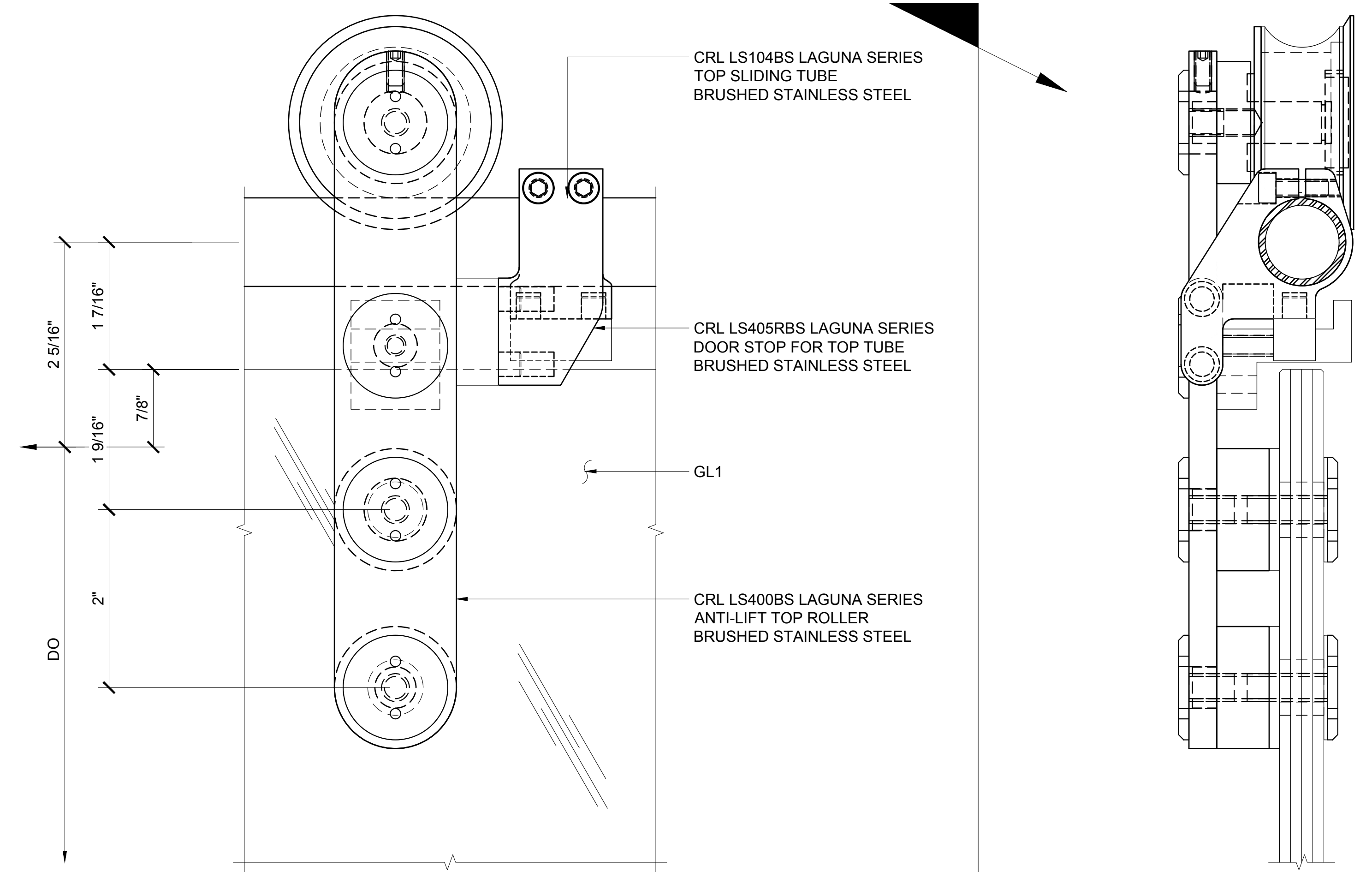
Drawn By: AAD  
 Date: 3/21/17  
 Scale: AS NOTED  
 File Name:  
 6-CRL-LSWM5BS-LS412BS-LAGUNA-SERIES  
 CEILING-MOUNT-SINGLE-SLIDER.dwg  
 Sheet



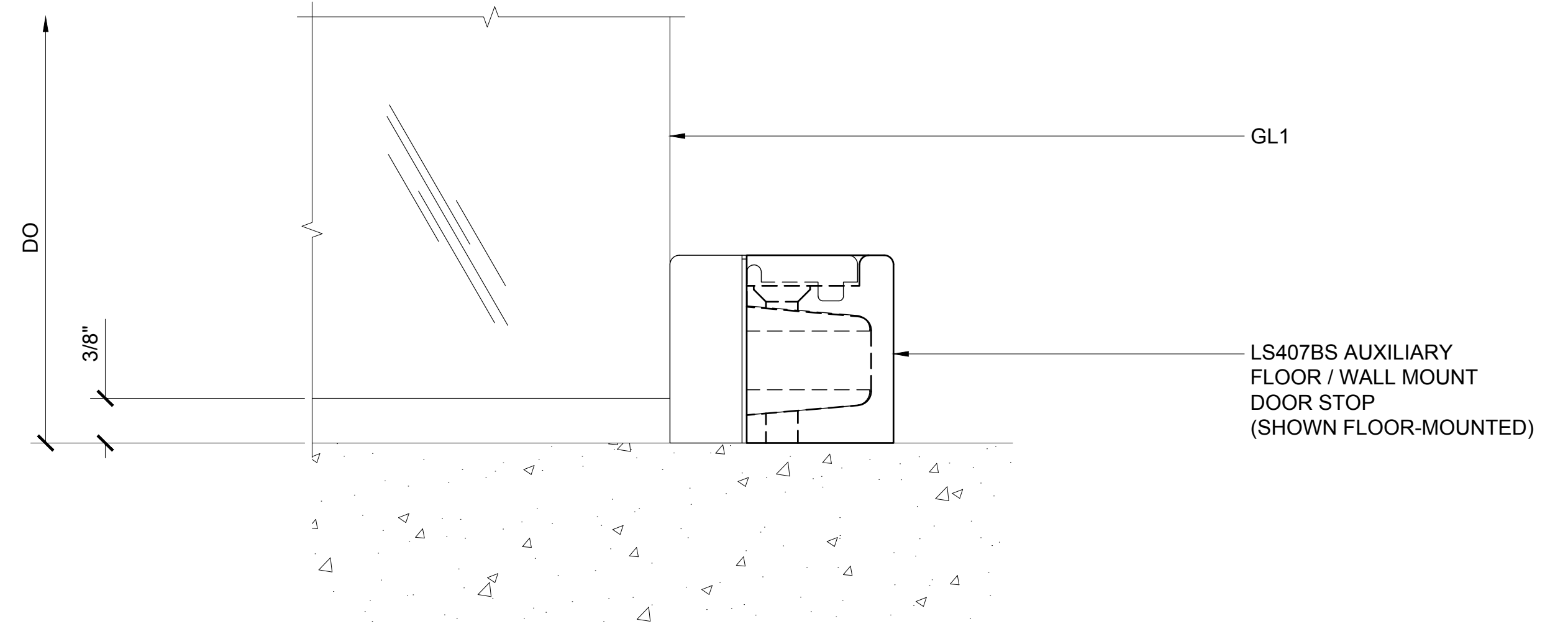
**1 DOOR HEAD DETAIL**  
 ARCH REF: 1'-0"=1'-0"



**2 DOOR SILL DETAIL**  
 ARCH REF: 1'-0"=1'-0"



**3 TOP BUMPER DETAIL**  
 ARCH REF: 1'-0"=1'-0"



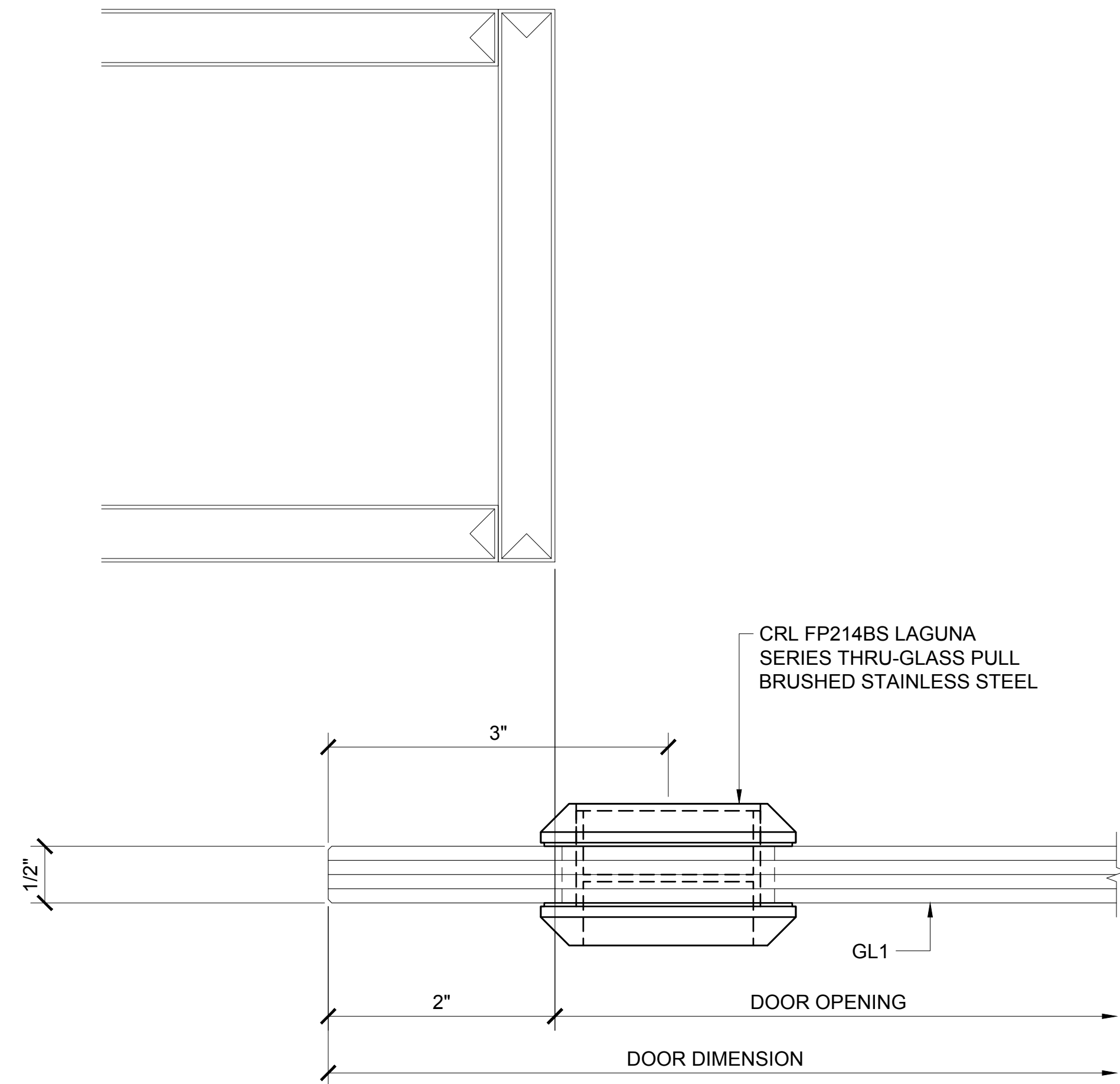
**4 BOTTOM BUMPER DETAIL**  
 ARCH REF: 1'-0"=1'-0"

Revisions By:

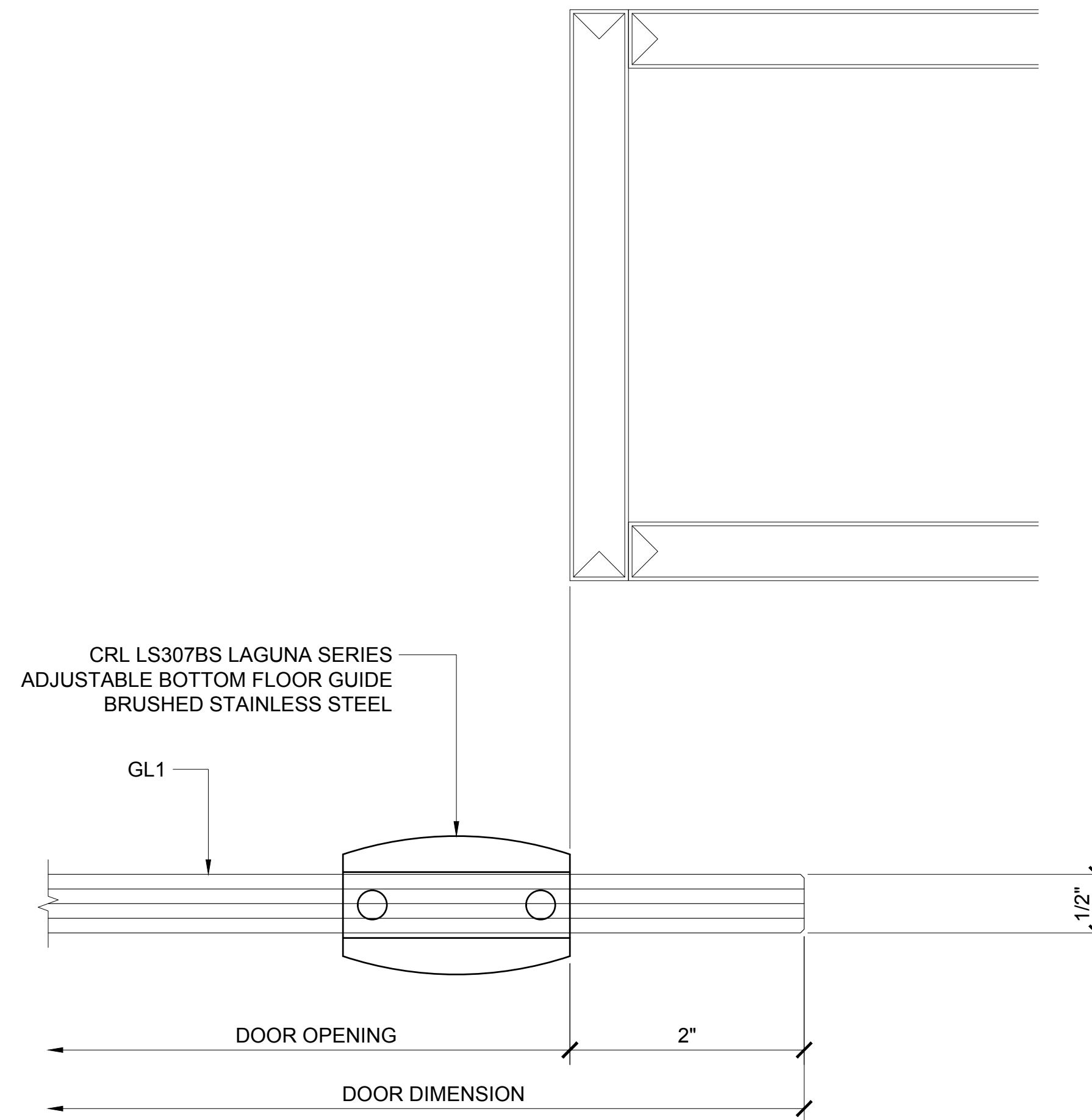


Description:  
CRL LAGUNA OFFICE  
PARTITION SYSTEM

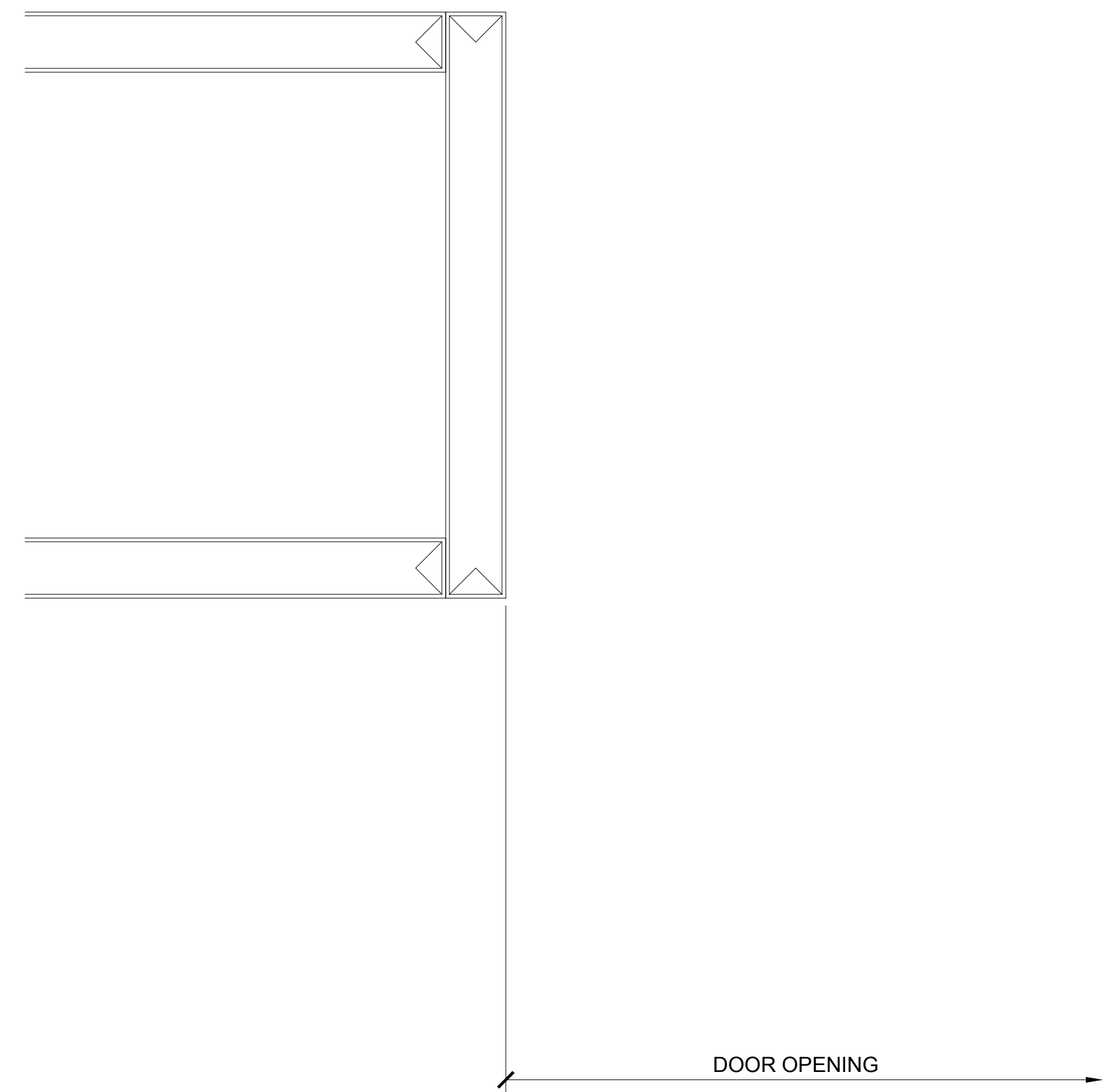
Drawn By: AAD  
Date: 3/21/17  
Scale: AS NOTED  
File Name:  
5-CRL LSWM5BS LS415BS LAGUNA SERIES  
CEILING MOUNT SINGLE SLIDER.dwg  
Sheet



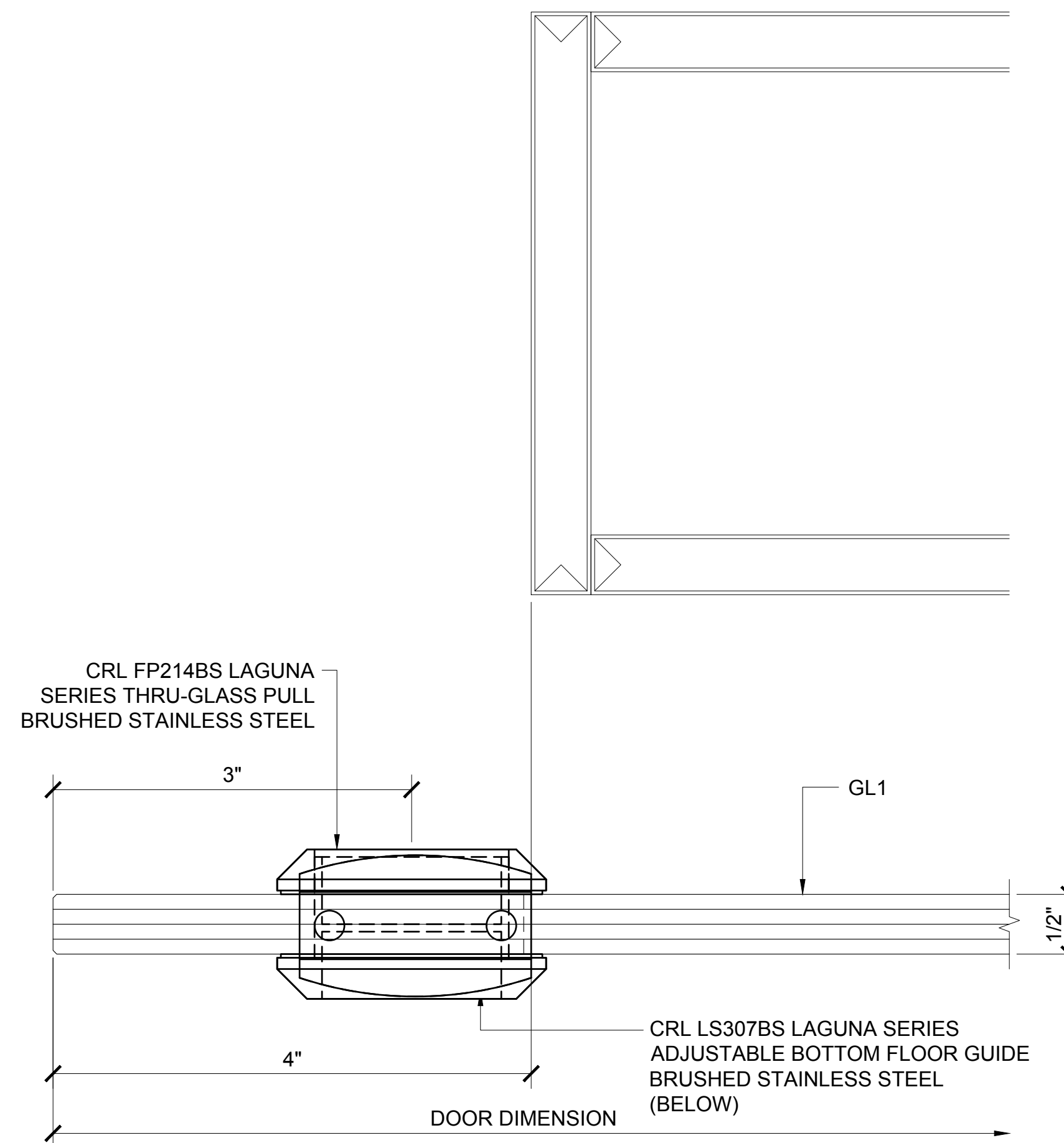
① DOOR JAMB DETAIL (DOOR CLOSED)  
ARCH REF: 1'-0"=1'-0"



② DOOR JAMB DETAIL (DOOR CLOSED)  
ARCH REF: 1'-0"=1'-0"



③ DOOR JAMB DETAIL (DOOR OPEN)  
ARCH REF: 1'-0"=1'-0"



④ DOOR JAMB DETAIL (DOOR OPEN)  
ARCH REF: 1'-0"=1'-0"