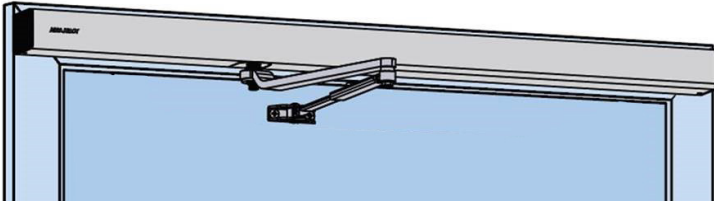


# Swing Door

## ASSA ABLOY SW60

**ASSA ABLOY**  
Entrance Systems

## Technical Data Sheet



### SW60 Surface Mounted Swing Door Operator

The ASSA ABLOY SW60 is an automatic swing door operator developed to make life easier for everyone who can benefit from automatic doors. The ASSA ABLOY SW60 is a low-energy operator using a DC motor and a gear-reduction system to drive an arm system, which opens the door. It is to be installed on interior swing doors.

The ASSA ABLOY SW60's sleek design is perfect for applications where there is little overhead space or where aesthetics is of utmost importance. This operator can be found in applications in health care, restrooms, office and public buildings.

### Operator Features and Performance

- Operator: electro-mechanical, non-handed operator
- ANSI Compliance: Low energy (ANSI A156.19)
- Door Weight: up to 200 pounds per operator
- Door Size: up to 48"
- Manual Push Force: adjustable from 5 lbf – 15 lbf
- Hold Open Time: adjustable from 2 seconds to 6 hours
- Ratchet Function
- Electric strike integration (no external relays required)
- Low voltage operator that is powered via an external 24vdc power supply.

### Aesthetics

- Aesthetically pleasing, low profile appearance: 1-7/8" high by 2-3/8" deep
- 39 1/2" header
- Finishes: clear anodized or bronze finish
- Blends in with door frames
- Can fit in spaces where overhead space is limited



### Authorities

- UL approved - UL325 UL/CUL
- UL Listed Fire Door Operator - UL10C
- ANSI A156.19

### Sensor Packages

#### ANSI A156.19

- Activation: wave plates or push plates per your selection
- Safety devices: Optional door mounted presence sensors (DMPS) are available for approach side only



## App & Switch Controls

- **Off / Closed (App & Switch)**  
The door is closed. The door cannot be opened with the inner / outer wall or jamb-mounted contact switches. The door is locked if an electromechanical locking device has been fitted. Key Impulse for card readers is still active.
- **Exit**  
Passage from inside only. The door is normally locked if an electromechanical locking device has been fitted. The door can only be opened with the inner wall or jamb-mounted contact switches (if fitted).
- **Auto (App & Switch)**  
The door can be opened with the inner / outer wall or jamb-mounted contact switches and key impulse.
- **Hold / Parking (App & Switch)**  
The door can be held at any position when opening or closing.
- **Wireless controlling**  
The door can be controlled by the app on a smartphone or a tablet.
- **Log**  
Events and errors can be displayed.
- **Extended closing torque**  
The motor will increase the closing torque when the door is closed or during closing. If the parameter is set to "0", the door will close with normal spring power.
- **Power assist**  
The motor will give/increase power assist when the door is opened manually. If the parameter is set to "Off", the door will give no power assist.
- **Push and go**  
When the door is manually pushed it will perform an open / close cycle. Push and go is not active in mode "Off / Closed".

## Operation

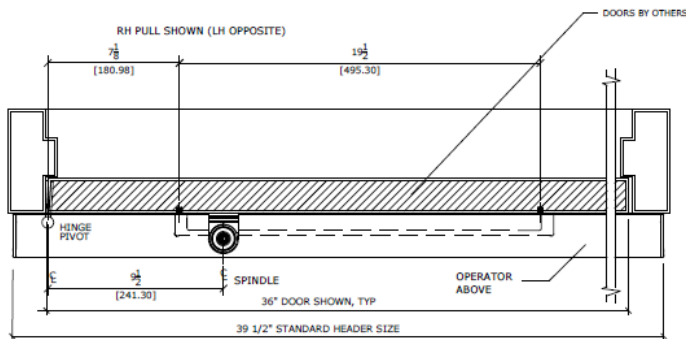
- Wave plate or push plate activation (ANSI A156.19)
- Push and go feature allowing door to open automatically when operator senses the manual movement of door (ANSI A156.19)
- Power assist open – Compensates for heavier doors and spring weight (ANSI A156.19)
- Internal, push to open, push to close (i.e., ratchet relay)
- Speed controlled Extended Closing Torque (ECT) to provide power assist close with increased latching torque without increasing speed
- Loss of Power: The operator controls the door closing and acts as a manual door with optional lock kick.
- Torque Limiting: if positive air pressure condition is removed, operator compensates accordingly and will not increase in speed

## Electric Lock Management

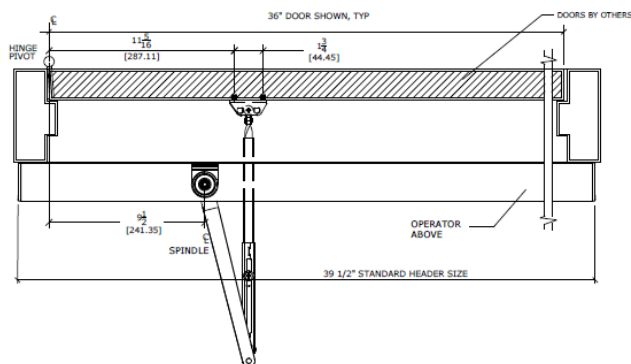
- Operator pulls door closed before opening, releasing stack pressure on the electric latch hardware
- Electric Lock Output: selectable: 12V DC, max. 1200 mA or 24 V DC, max. 600 mA

## Configurations

Pull:



Push:



## App: ASSA ABLOY Swing Door Manager



### Authorities

<b>Operator type</b>	Electro-mechanical
<b>Door width</b>	30 - 48" (762 - 1219 mm)
<b>Door weight</b>	80 - 200 lb. (36 - 90 kg)
<b>Power supply</b>	120 V AC +10/-15%, 50/60 Hz, mains fuse max 10A (building installation)
<b>Power consumption</b>	Max. 90W
<b>Auxiliary voltage</b>	24 V DC, max. 400 mA
<b>Electro-mechanical locking device</b>	Selectable: 12V DC, max.   1200 mA / 24 V DC, max. 600 mA
<b>Door opening</b>	PUSH arm: 80° - 110°, with reveal 0-51/8" (0 - 130 mm) PULL arm: 80° - 110°, with reveal 0-2" (0-51mm)
<b>Opening time (0 - 80°)</b>	Variable between 4.5-9s
<b>Closing time (90 - 100°)</b>	Variable between 4.5-9s
<b>Hold open time</b>	2s-6h
<b>Ambient temperature</b>	-4 °F to +113 °F (-20 °C to +45 °C)
<b>Relative humidity</b>	Max. 95%
<b>Drive weight unit (non-condensing)</b>	7.5 lb. (3.4 kg)
<b>Class of protection</b>	IP 20.
<b>Complies with:</b>	ANSI/BHMA A156.19, UL 10C, UL325