

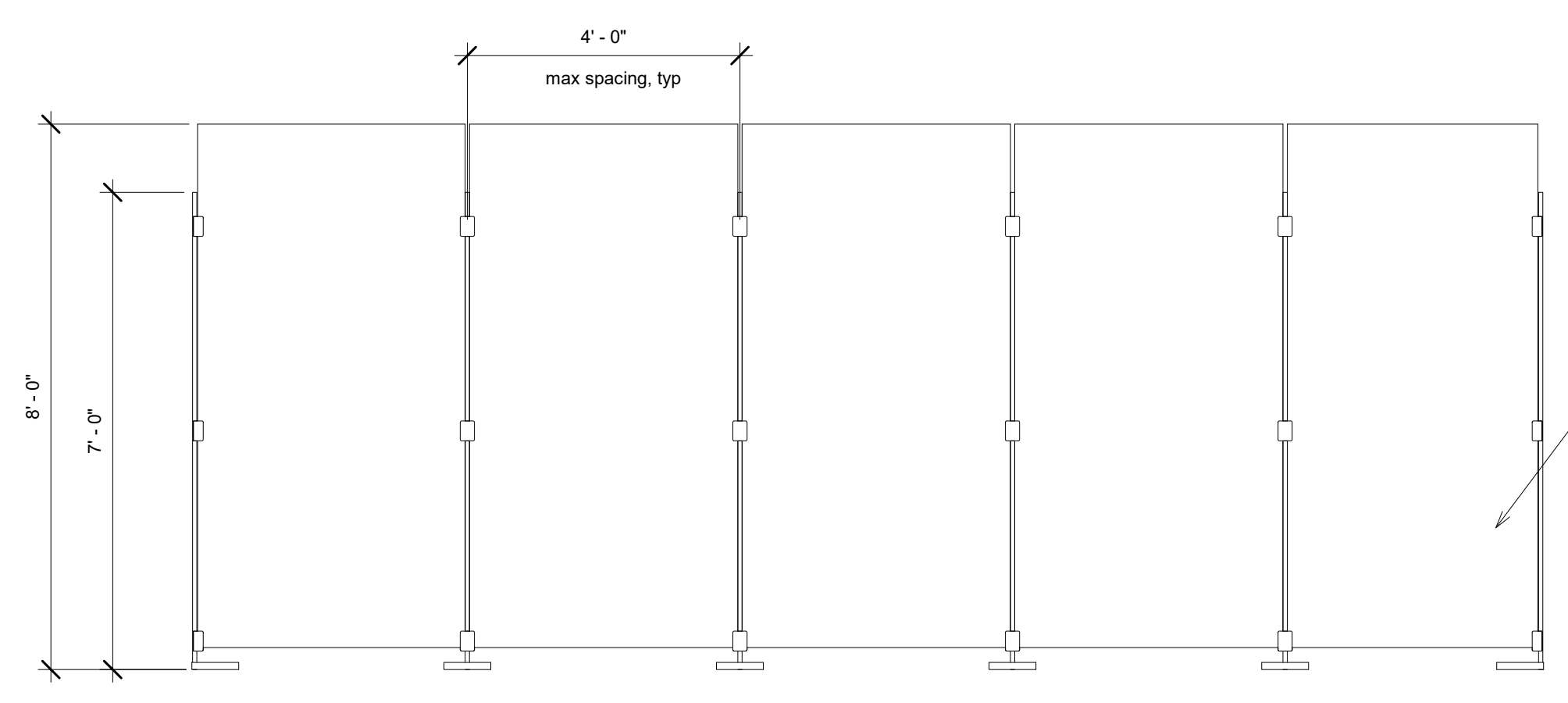
Revisions By:

CRL[®]

Description
SYS0128A Metropolis
Post Systems

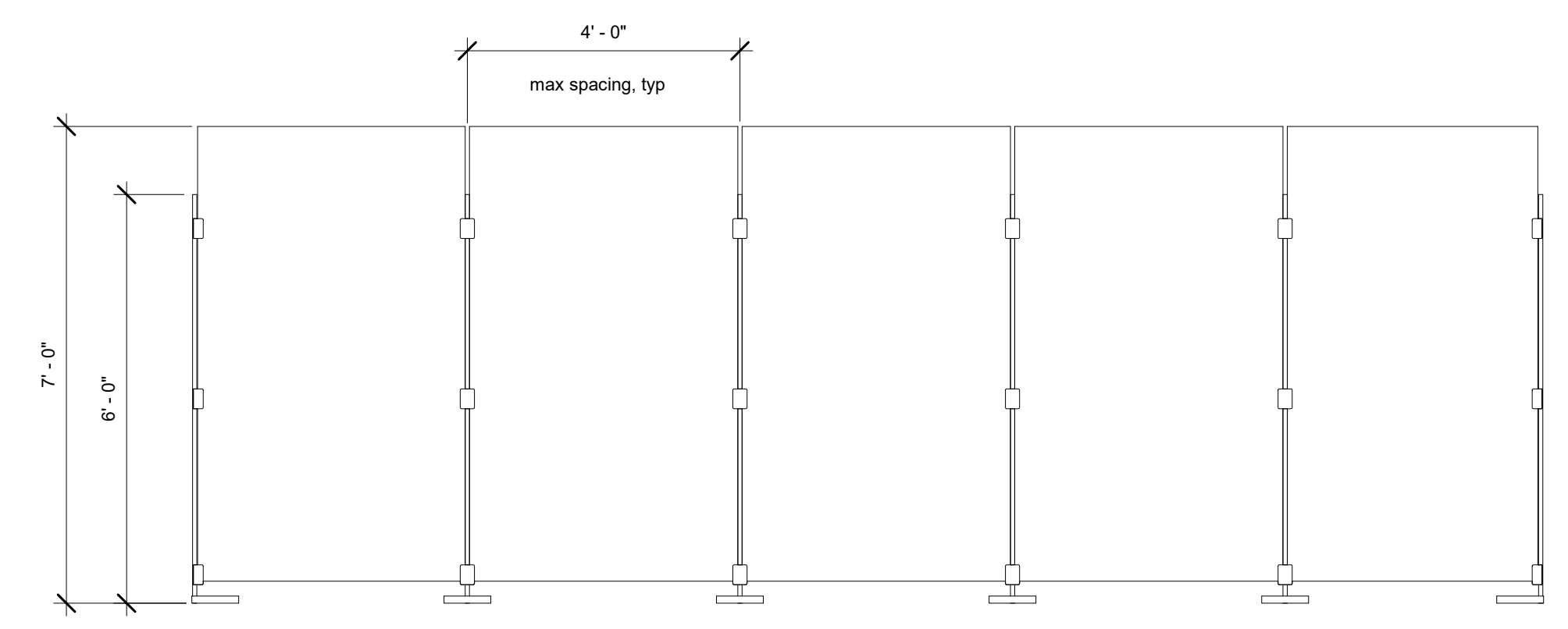
Drawn by:
Date:
Scale:
File name:

Sheet

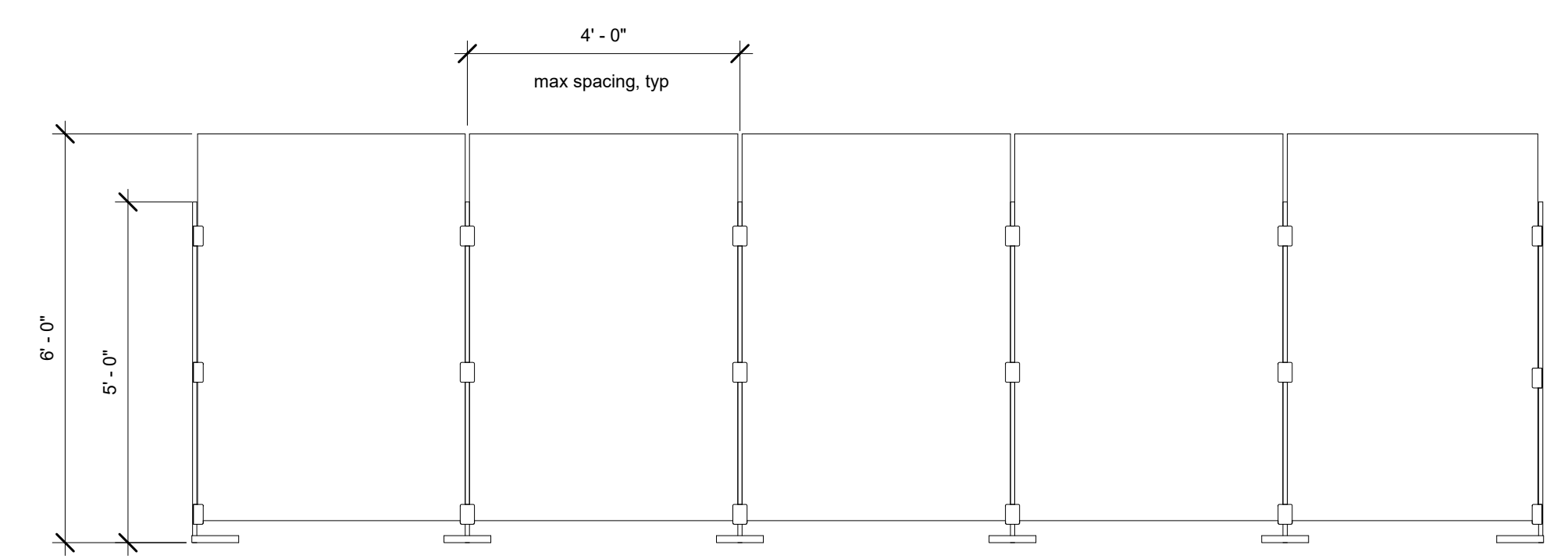


NOTE:
When drawing a new partition from the curtain wall command you will need to unpin the panels at the end and select the corresponding one from the properties panel. Do this as your last step. If you need to resize the partition re-pin the last panel before resizing and then un-pin again and select the corresponding one under properties.

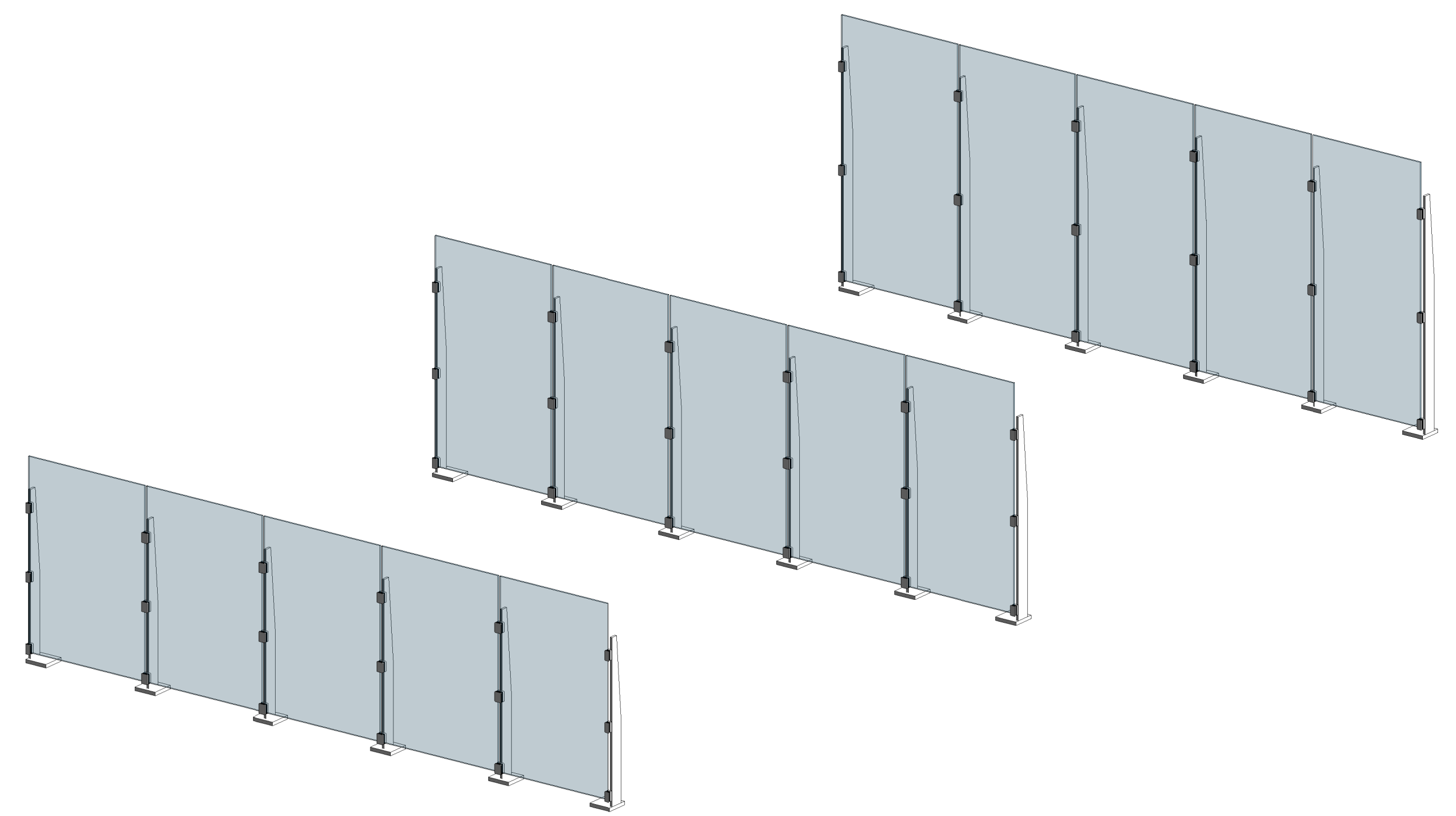
① METROPOLIS - (84" tall)
1/2" = 1'-0"



② METROPOLIS - (72" tall)
1/2" = 1'-0"



③ METROPOLIS - (60" tall)
1/2" = 1'-0"



④ Metropolis Post System - 3D View