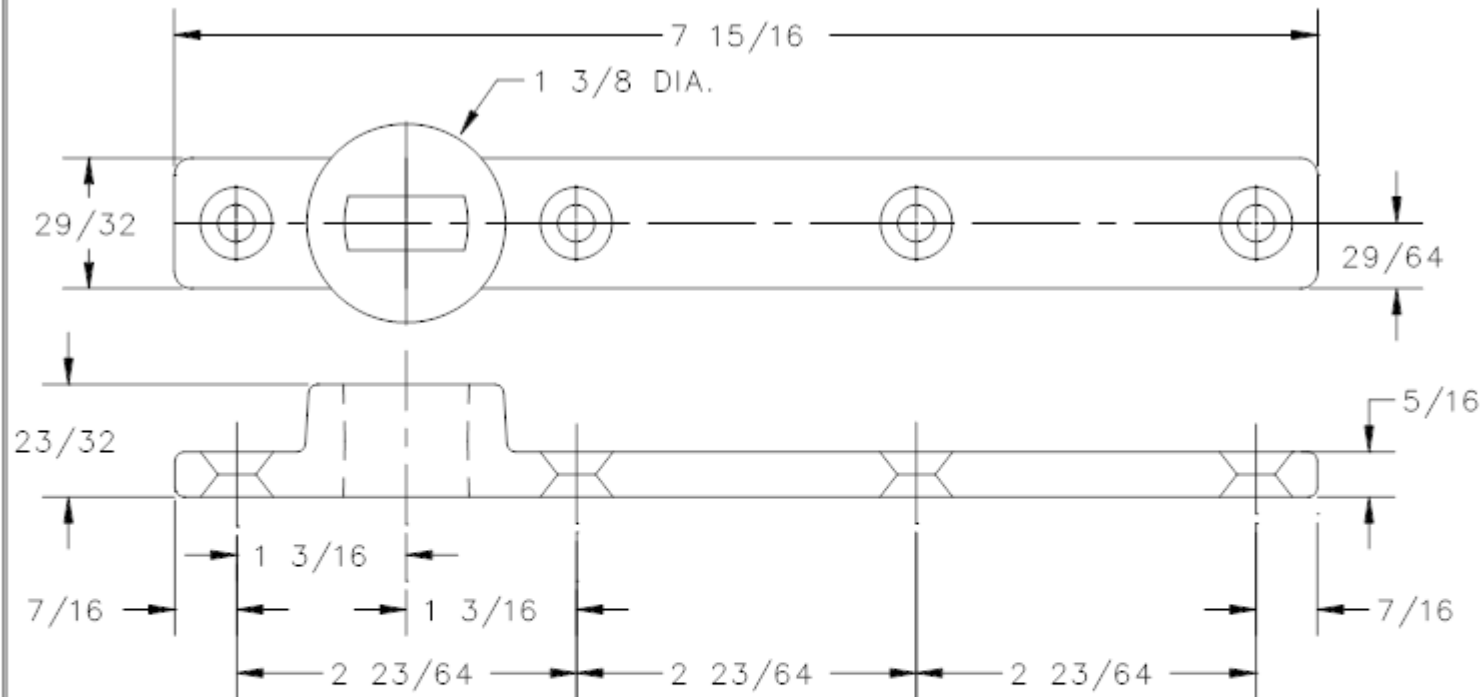


RELEASE FOR PRODUCTION DATE



DIMENSIONAL TOLERANCES UNLESS OTHERWISE SPECIFIED		APPROVALS	DATE
DECIMAL DIMENSIONS .XX ± .010		APPROVED	
DECIMAL DIMENSIONS .XXX ± .005		CHECKED	
ANGULAR ± X ° FRACTIONAL ± 1/64		DRAWN	
		SCALE	

jackson
CORPORATION

3447 UNION PACIFIC AVE.
LOS ANGELES, CALIF. 90023

FILE NO.	MATERIAL
NEXT ASSY.	FINISH
QTY. USED	HEAT TREAT

CENTER HUNG ARM
800/900

SHEET X OF X SHEETS	
DWG. NO.	REV.
20-7080	A