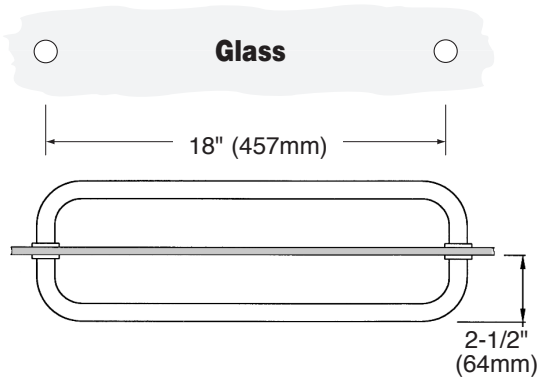
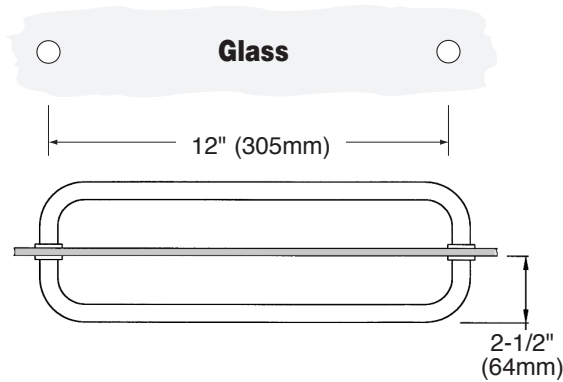


CAT. NO. BM12X12
 CAT. NO. V1C12X12
 CAT. NO. BMNW12X12
 CAT. NO. CATB12X12
 CAT. NO. SDTB12X12

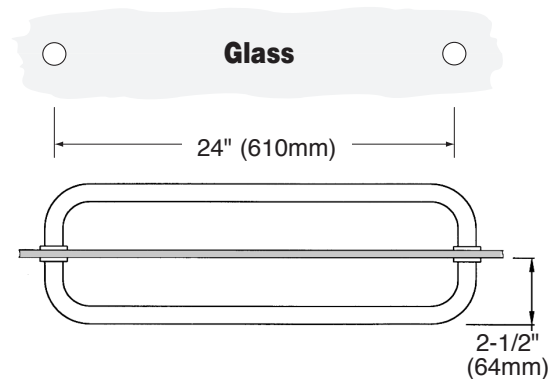


CAT. NO. BPD18
 CAT. NO. COL18X18
 CAT. NO. BM18X18
 CAT. NO. CSH18X18
 CAT. NO. V1C18X18
 CAT. NO. MT18X18
 CAT. NO. BMNW18X18
 CAT. NO. SQ18X18
 CAT. NO. SDTB18X18

Specifications:

All Holes Are 1/2" (12mm) Diameter
 All Measurements Are Center-To-Center
 Appropriate Clear Gaskets Included
 Fits 1/4" (6mm) to 1/2" (12mm) Glass

CAT. NO. BPD24
 CAT. NO. BM24X24
 CAT. NO. V1C24X24
 CAT. NO. BMNW24X24
 CAT. NO. SDTB24X24
 CAT. NO. CSH24X24
 CAT. NO. COL24X24
 CAT. NO. MT24X24
 CAT. NO. SQ24X24



TOWEL BARS

Back-To-Back (Brass or Acrylic Construction)

***NOTE:** Because there are numerous "BM" towel bars (example BM24X24CH or BMNW24X24CH), we are providing the following guideline for determining the fabrication required: Always drill 1/2" (12mm) diameter holes to the center-line of the length of the towel bar that is being ordered. The length of the towel bar is always provided in the catalog number of the product. For example, a BM24X24CH is a 24" (610mm) center-to-center towel bar. Therefore, it is correct to drill (2) 1/2" (12mm) diameter holes 24" (610mm) center-to-center apart. A BMNW30X30BR would require (2) 1/2" (12mm) diameter holes 30" (762mm) apart, etc.