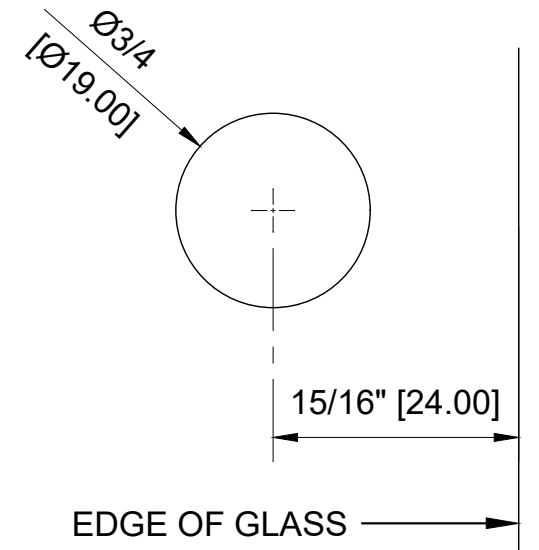
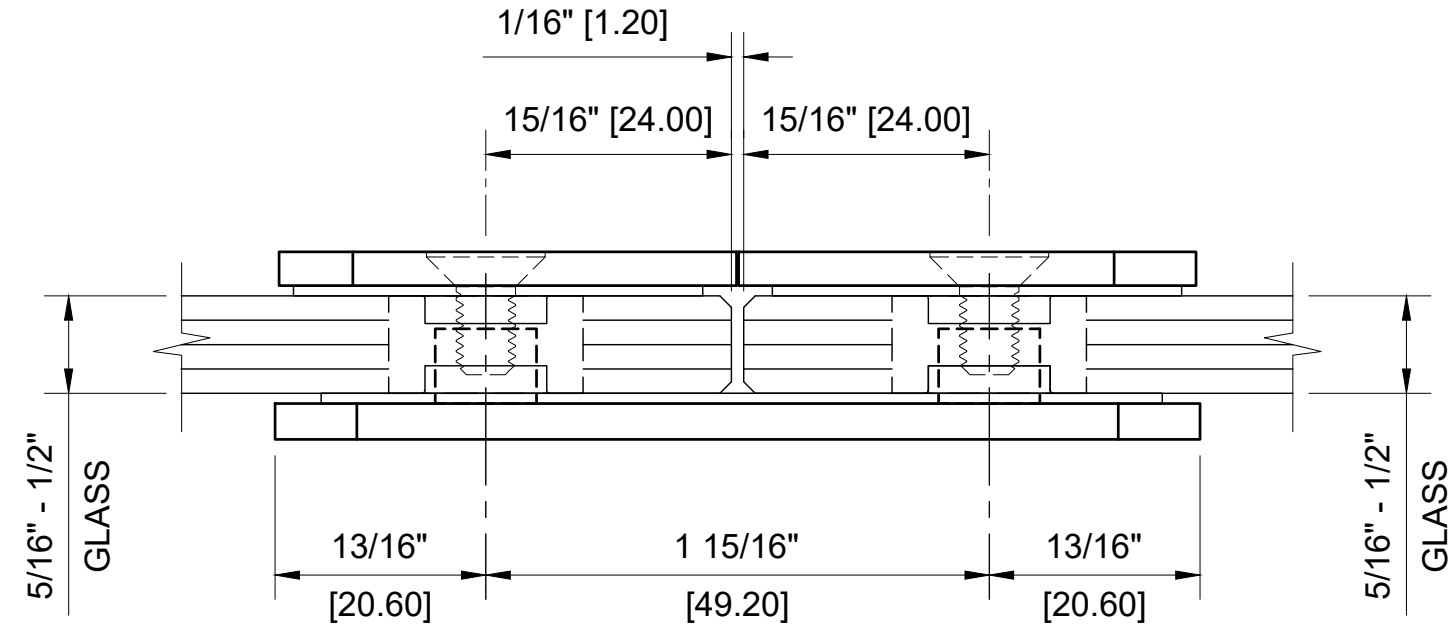
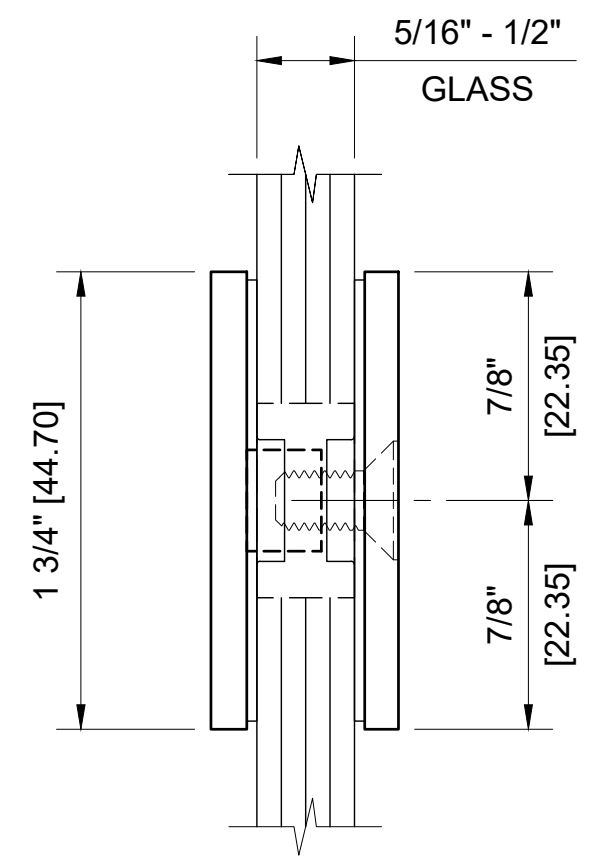
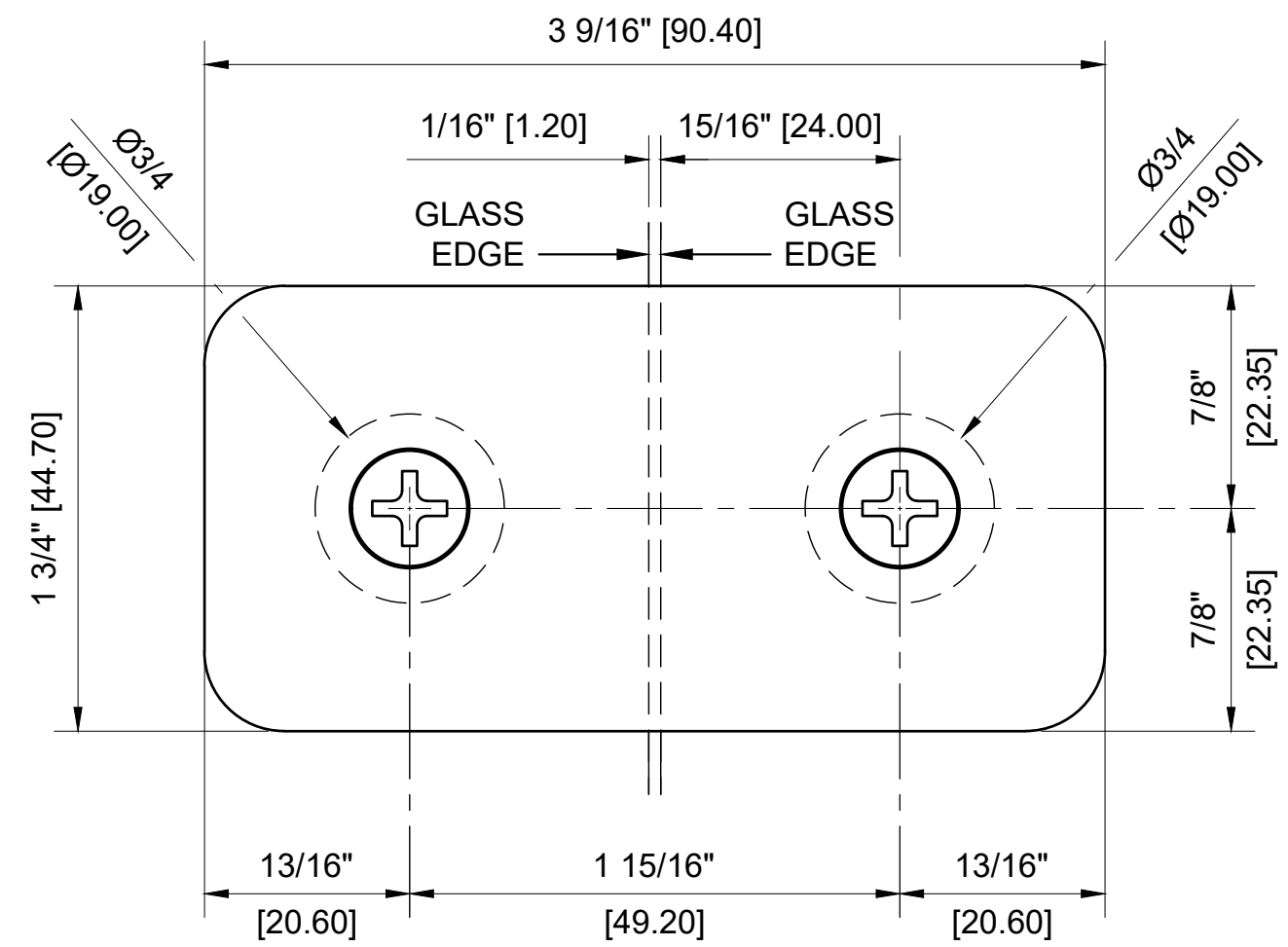


GLASS: 5/16" (8mm)
GLASS: 3/8" (10mm)
GLASS: 1/2" (12mm)



GLASS FABRICATION TEMPLATE



CRL - GCB182 TRADITIONAL STYLE 180 DEGREE SPLIT FACE AND "Y" INLINE CLAMP FOR 5/16"-1/2" GLASS

DATE: 10-16-2020
SCALE: 1'-0"=1'-0"
DRAWN BY: VM

DESCRIPTION: CRL - GCB182
180° SPLIT FACE & "Y" INLINE CLAMPS

C.R. LAURENCE CO. ARCHITECTURAL PRODUCTS
 2503 E. Vernon Avenue, Los Angeles, CA 90058-1897
 PH (800)-421-6144 FX: 800-587-7501 www.crlaurence.com

