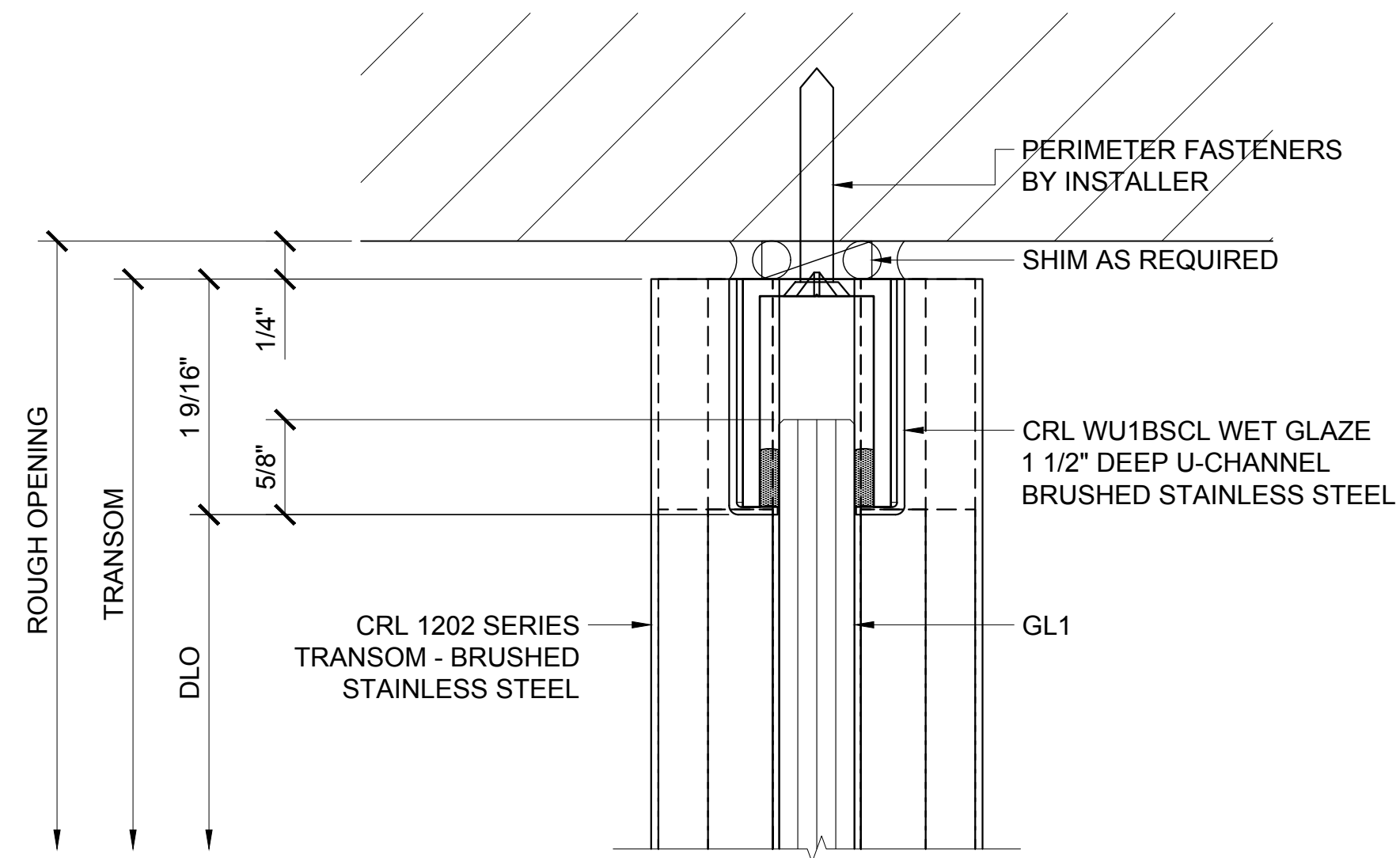


Revisions By:

1202 SERIES SWINGING
SINGLE GLASS DOORS
W/ TRANSOM & W/ SIDELITES
ON TWO SIDES

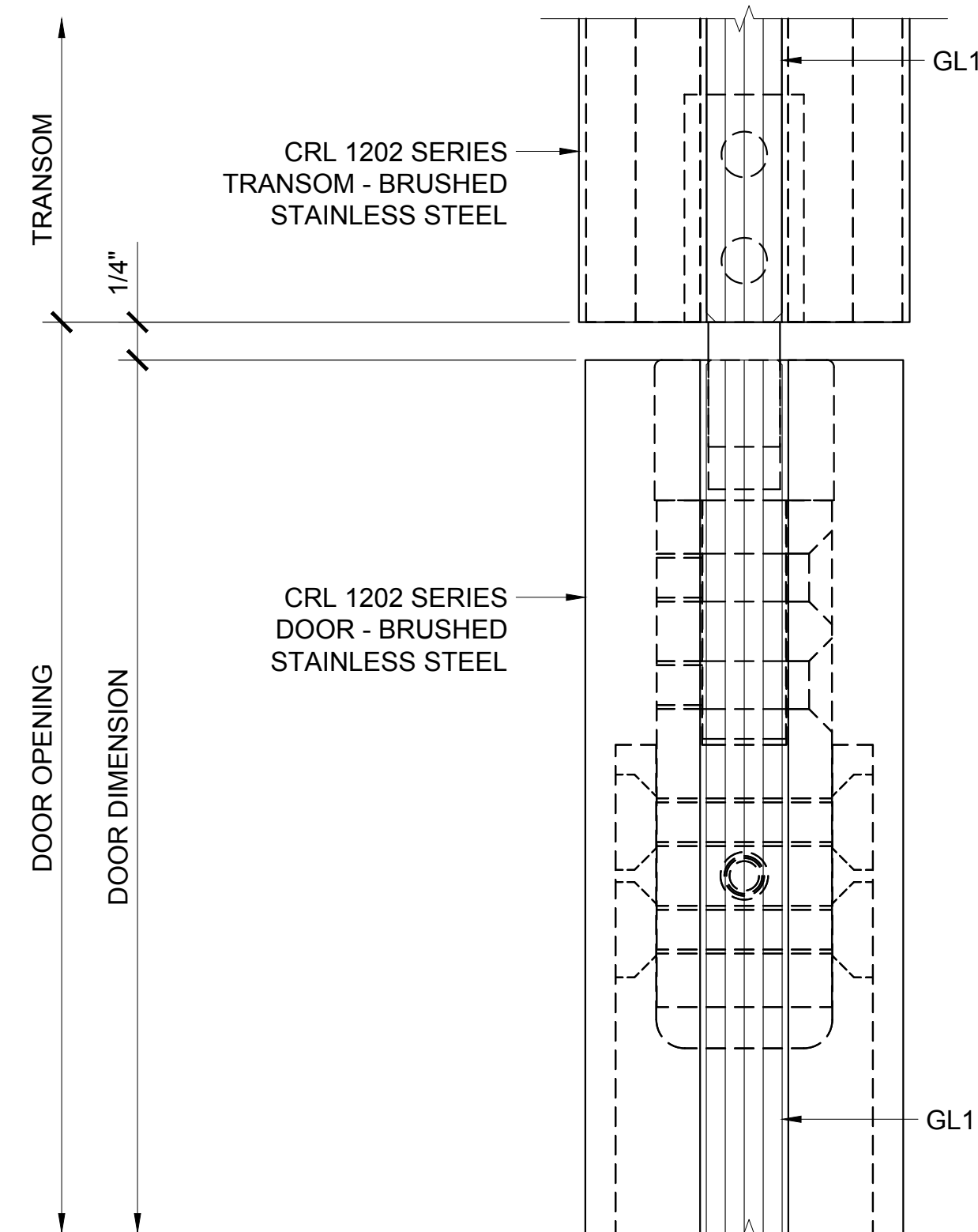
Drawn By: AAD
Date: 10/14/16
Scale: AS NOTED
File Name: 5-1202 Series Swinging
Single Glass Doors - W Transom &
W Sidelites.dwg

Sheet



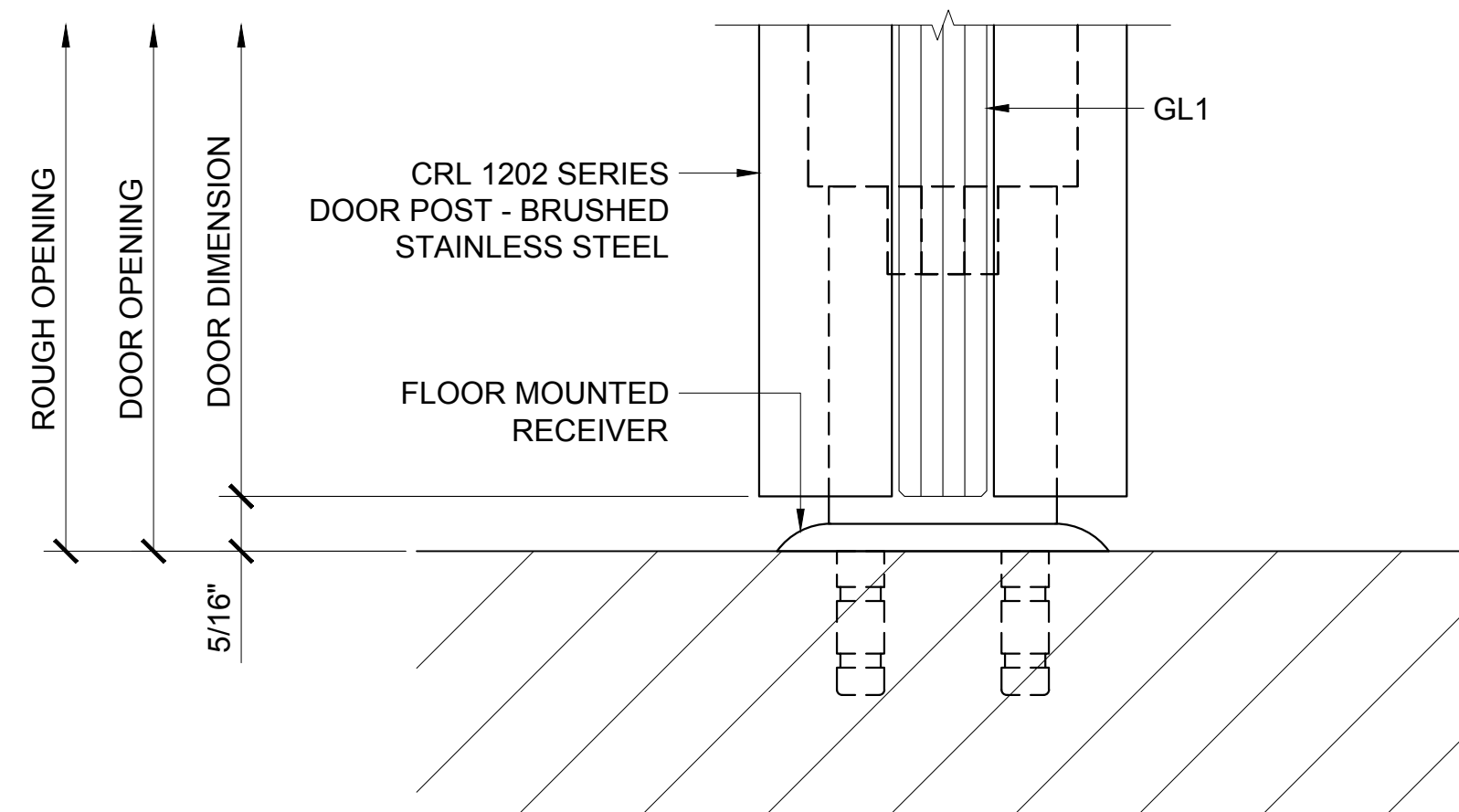
① TRANSOM HEAD DETAIL

ARCH REF: 1'-0"=1'-0"



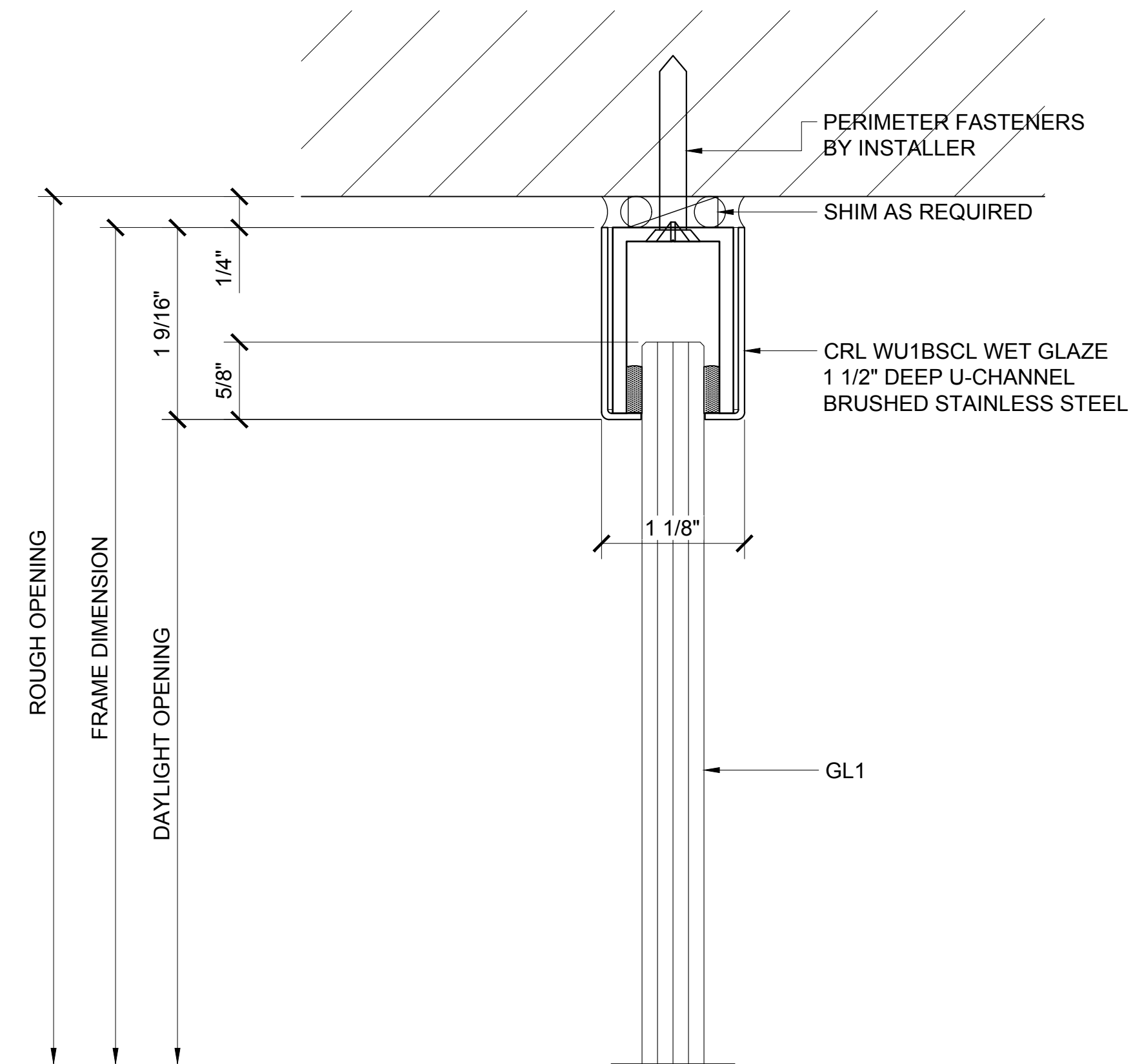
② DOOR HEAD AT TRANSOM DETAIL

ARCH REF: 1'-0"=1'-0"



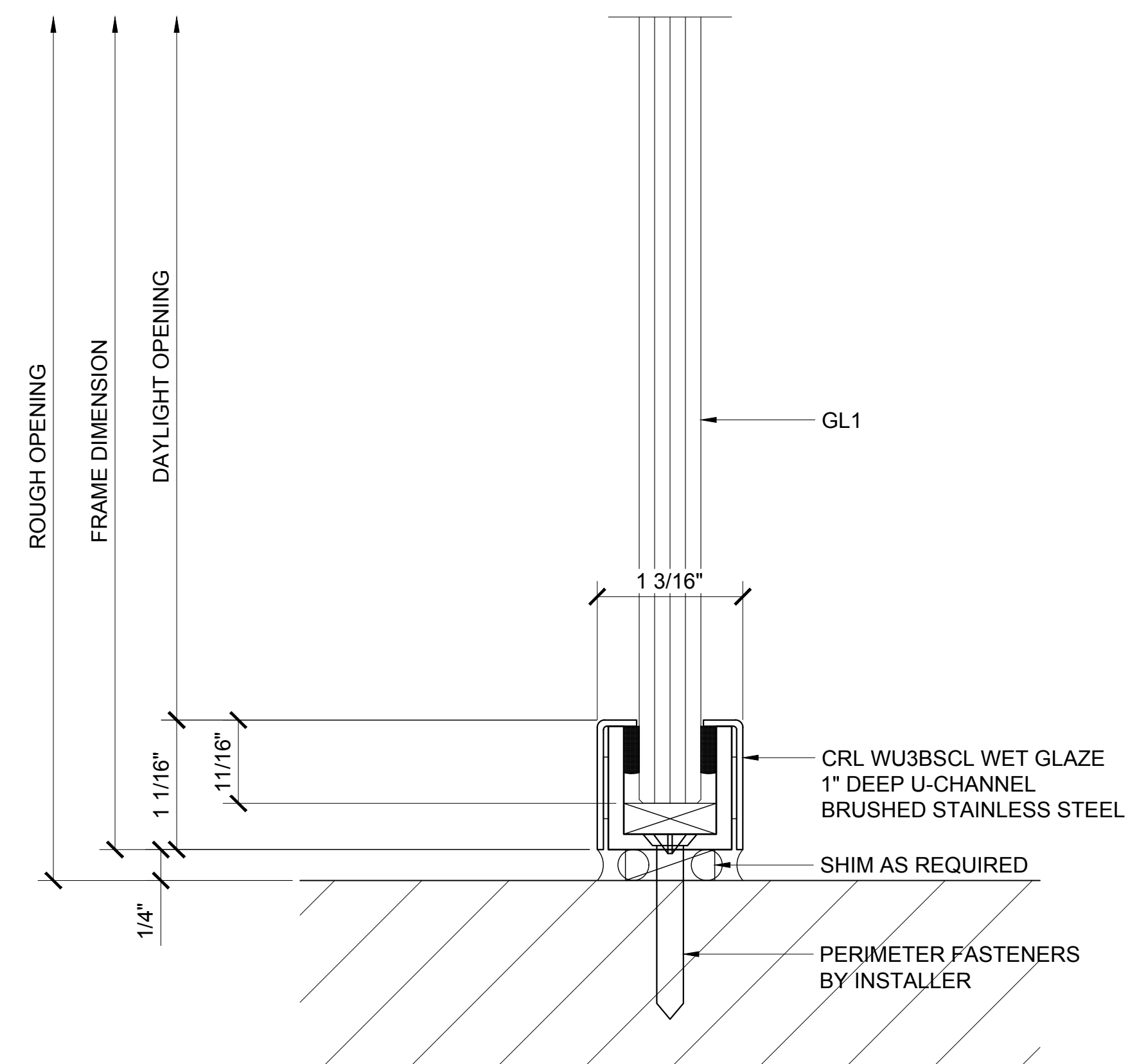
③ DOOR SILL DETAIL

ARCH REF: 1'-0"=1'-0"



④ SIDELITE HEAD DETAIL

ARCH REF: 1'-0"=1'-0"



⑤ SIDELITE SILL DETAIL

ARCH REF: 1'-0"=1'-0"

Revisions By:

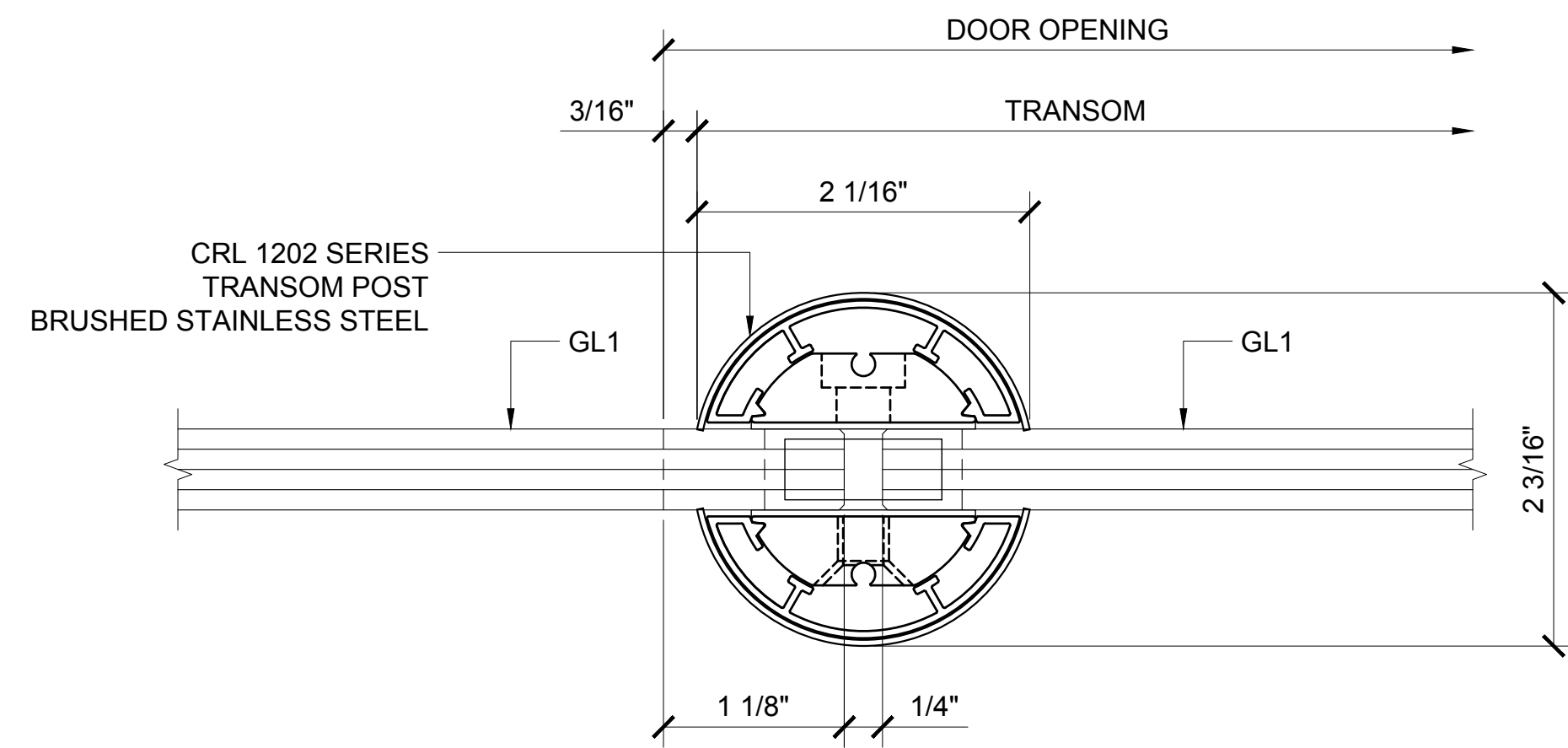


Description:
1202 SERIES SWINGING
SINGLE GLASS DOORS
W/ TRANSOM & W/ SIDELITES
ON TWO SIDES

Drawn By: AAD
Date: 10/14/16
Scale: AS NOTED
File Name: 5-1202 Series Swinging
Single Glass Doors - W Transom &
W Sidelites.dwg

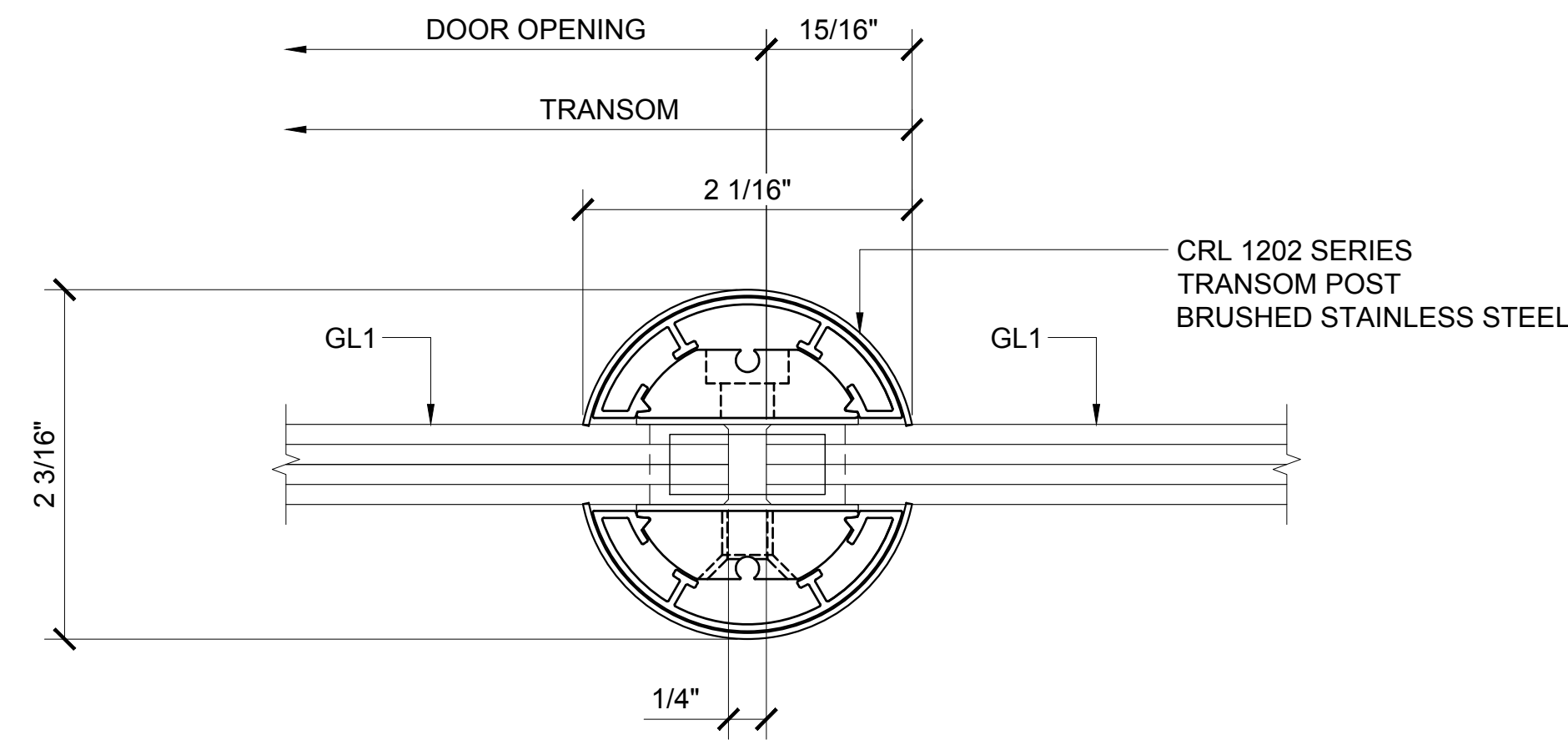
Sheet

Revisions By:



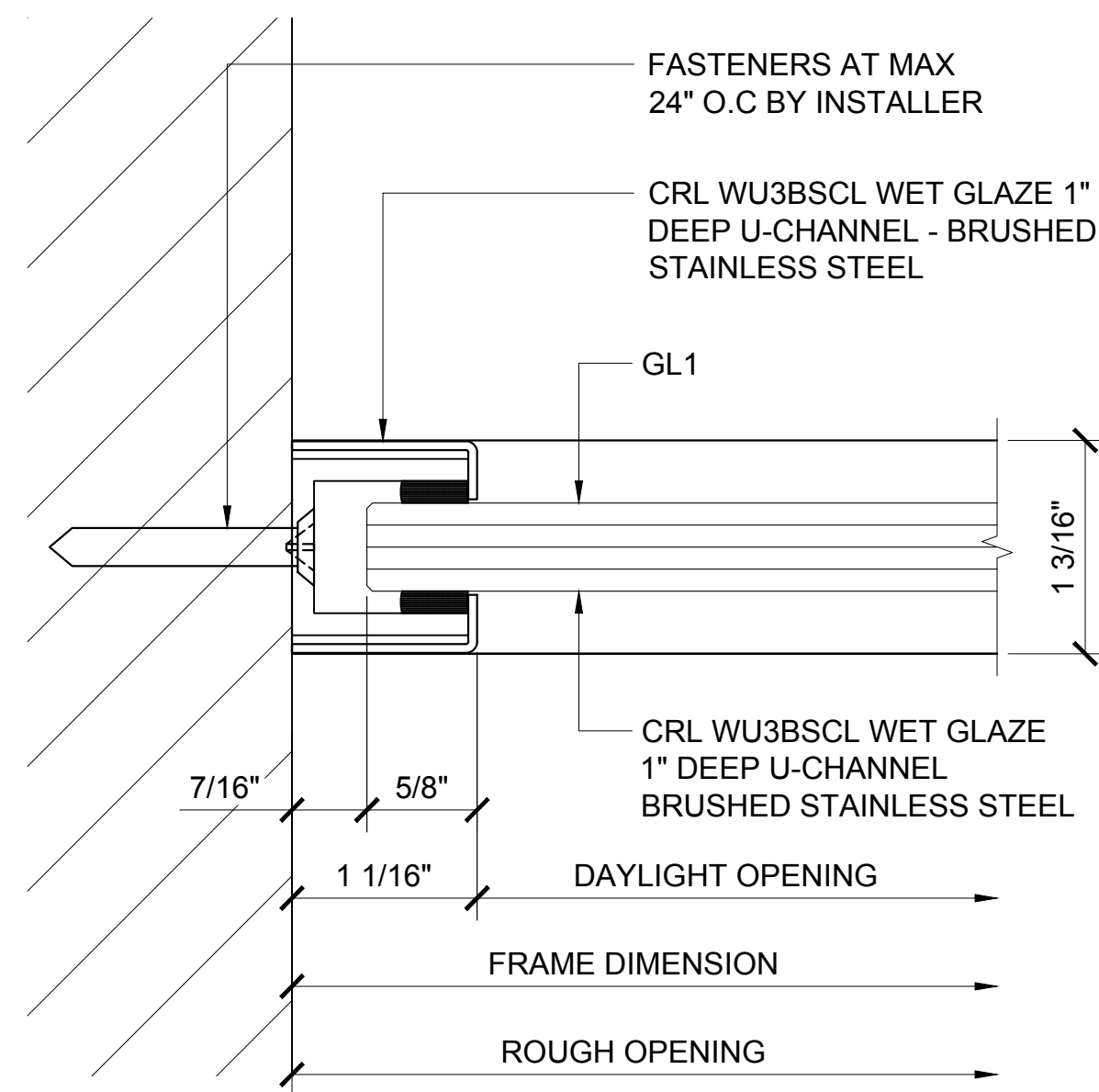
⑤ TRANSOM POST SECTION DETAIL

ARCH REF: 1'-0\"=1'-0\"



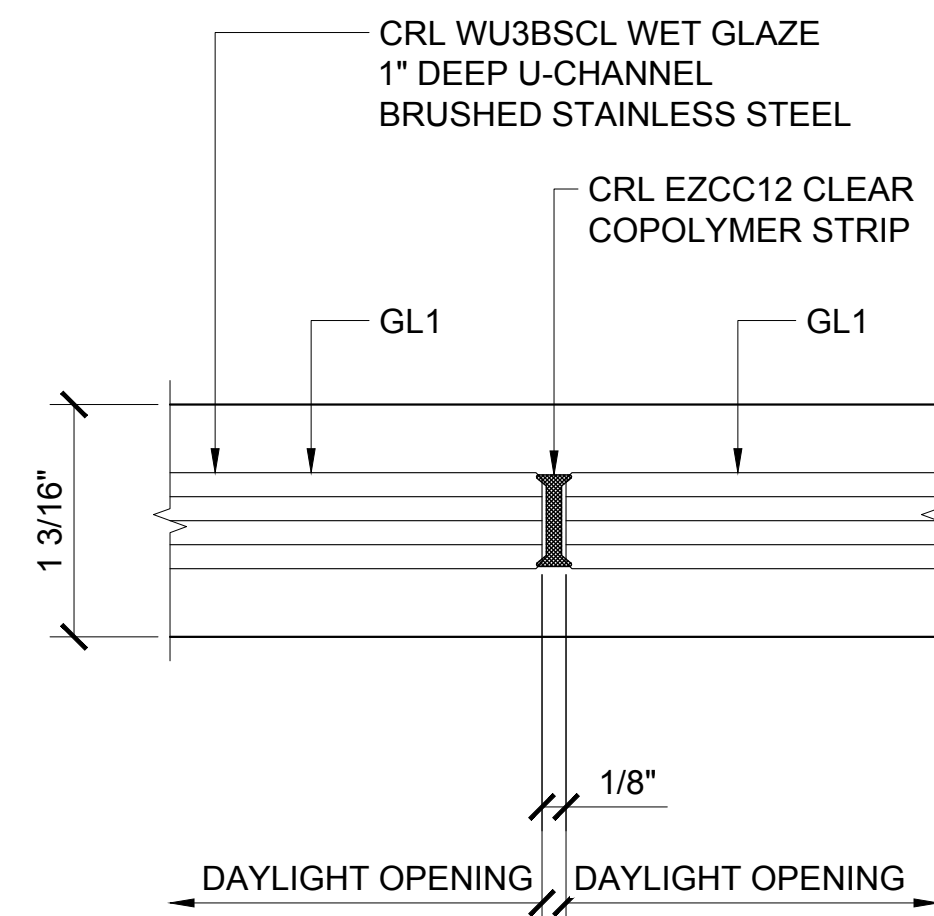
⑥ TRANSOM POST SECTION DETAIL

ARCH REF: 1'-0\"=1'-0\"



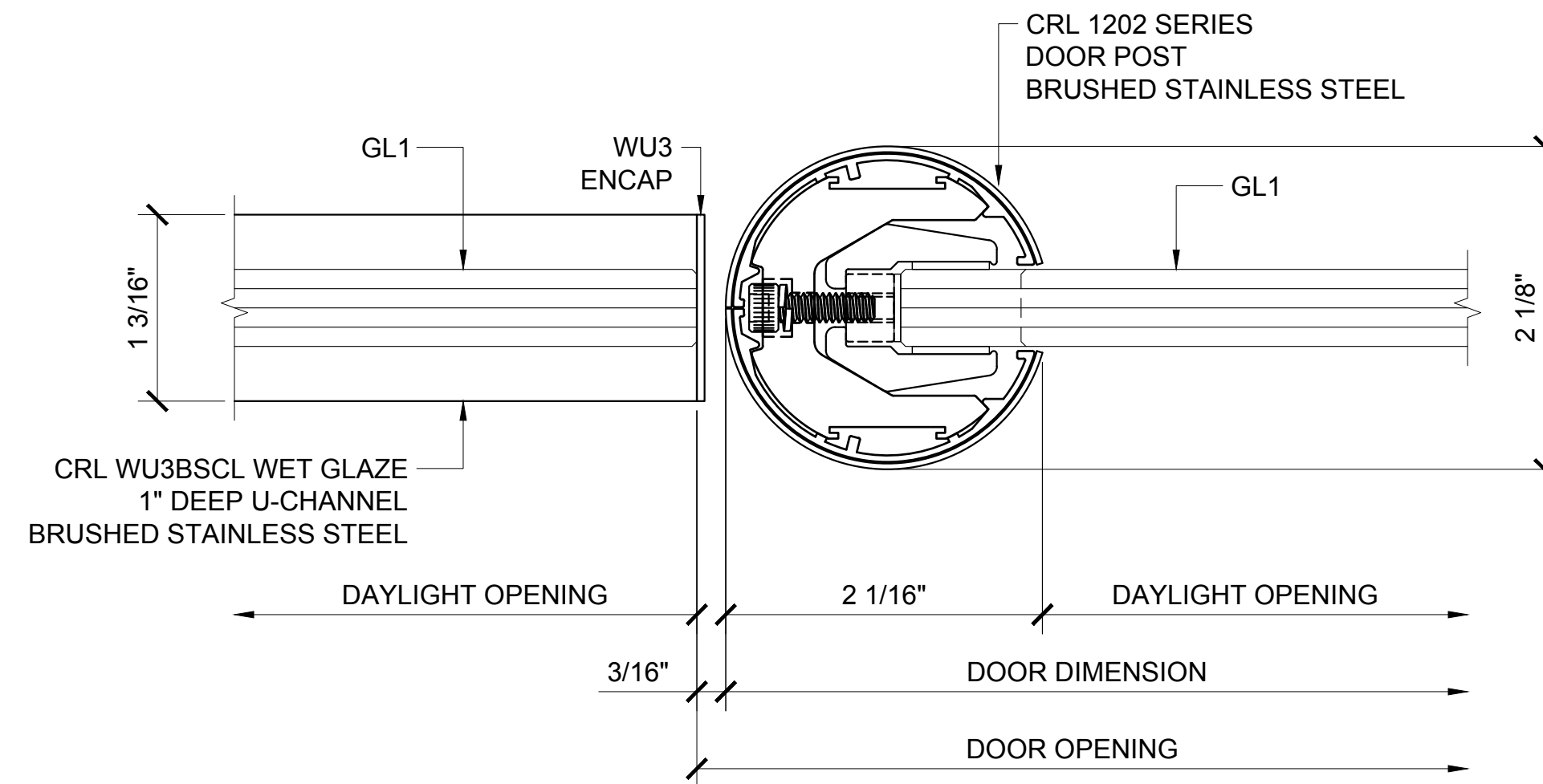
① WALL JAMB DETAIL

ARCH REF: 1'-0\"=1'-0\"



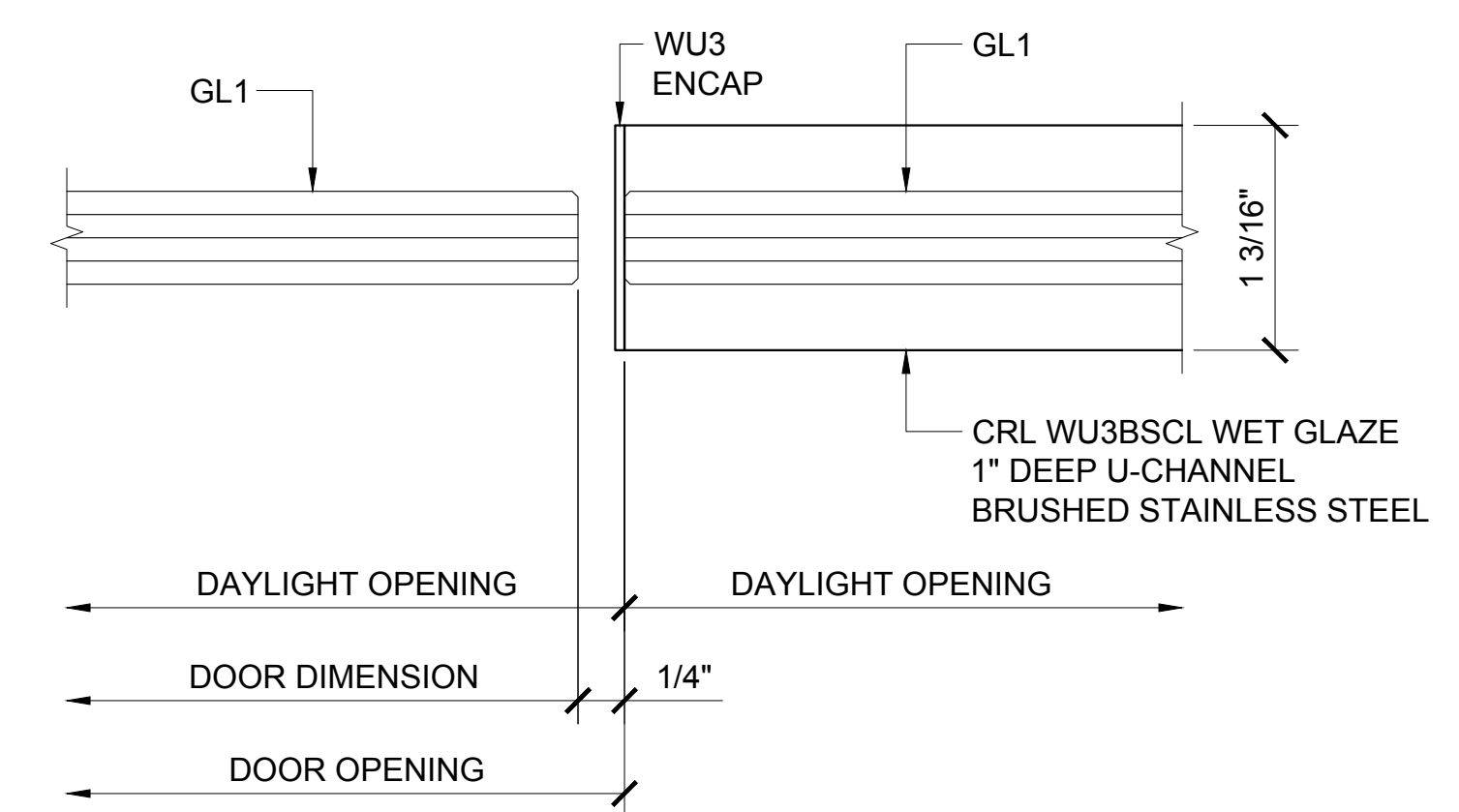
② GLASS JOINT

ARCH REF: 1'-0\"=1'-0\"



③ DOOR PIVOT POST SECTION DETAIL

ARCH REF: 1'-0\"=1'-0\"



④ DOOR JAMB AT SIDELITE

ARCH REF: 1'-0\"=1'-0\"

Description:
1202 SERIES SWINGING
SINGLE GLASS DOORS
W/ TRANSOM & W/ SIDELITES
ON TWO SIDES

Drawn By: AAD

Date: 10/14/16

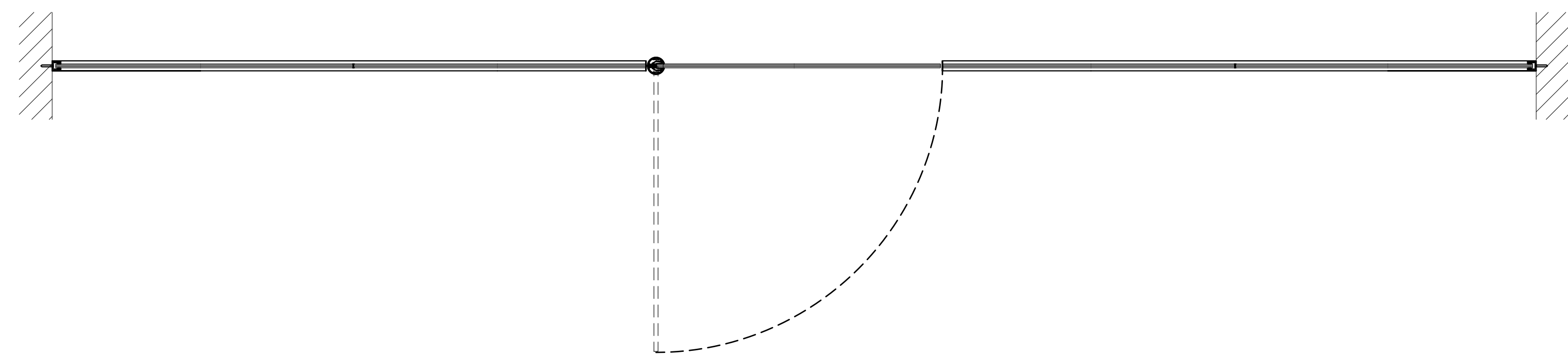
Scale: AS NOTED

File Name: 5-1202 Series Swinging
Single Glass Doors - W Transom &
W Sidelites.dwg

Sheet

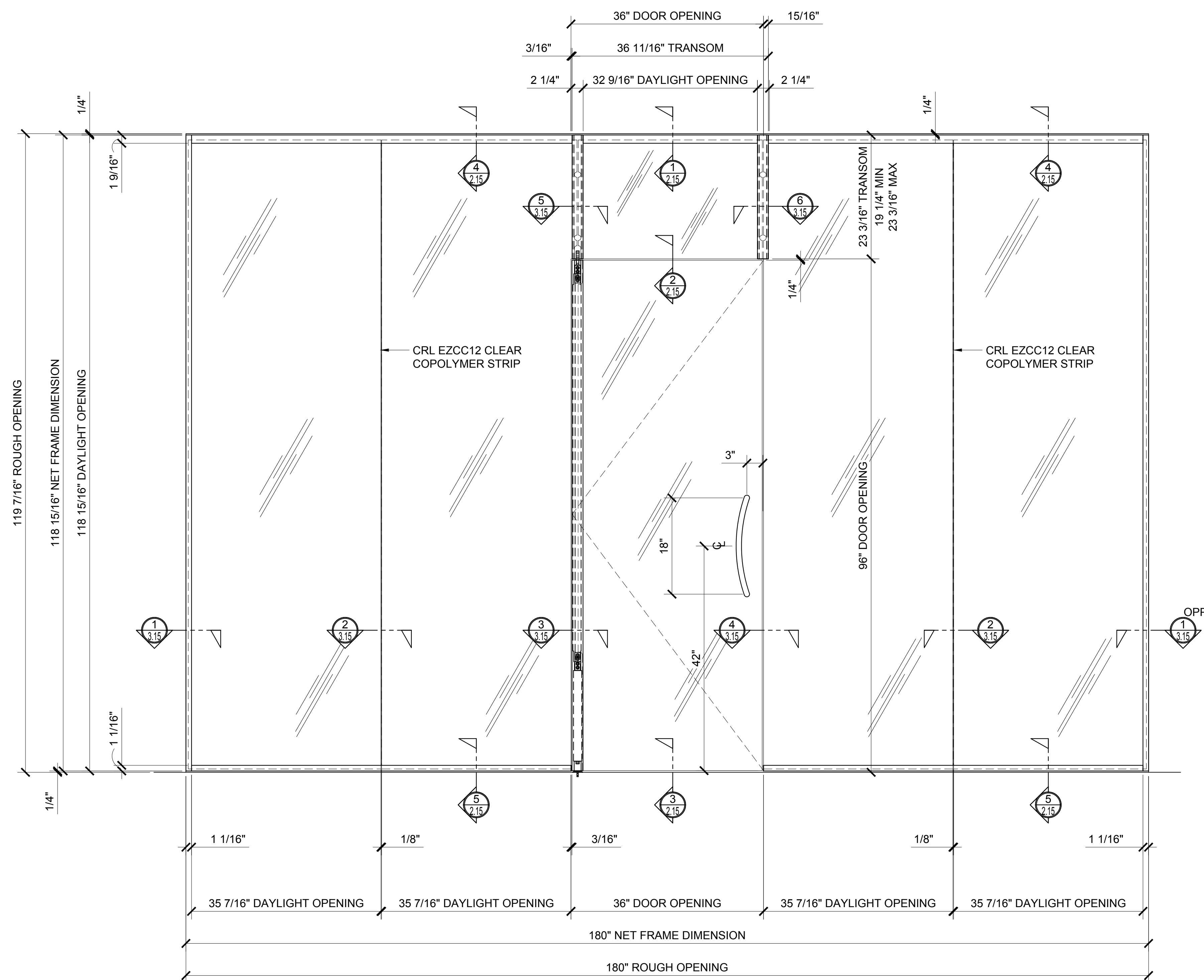


1202 SERIES SWINGING SINGLE GLASS DOORS - W/ MEDIUM TRANSOM & W/ SIDELITES
 19 1/4" MIN TO 23 3/16" MAX HEIGHT



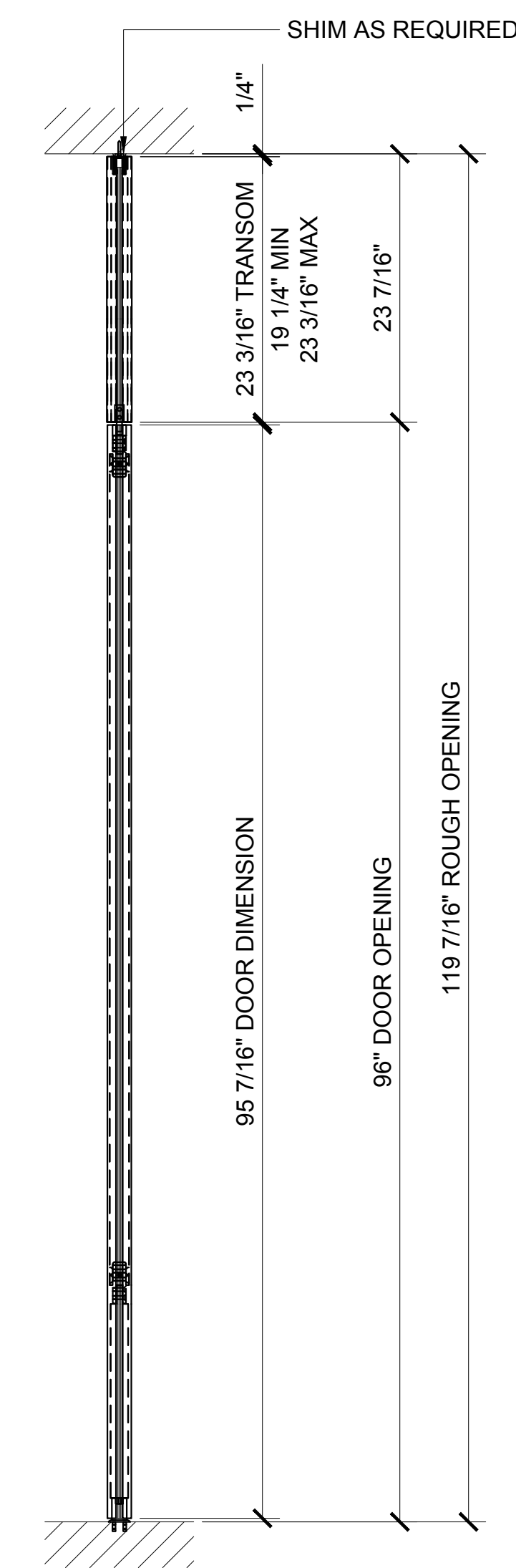
1 PLAN

ARCH REF: 1"=1'-0"



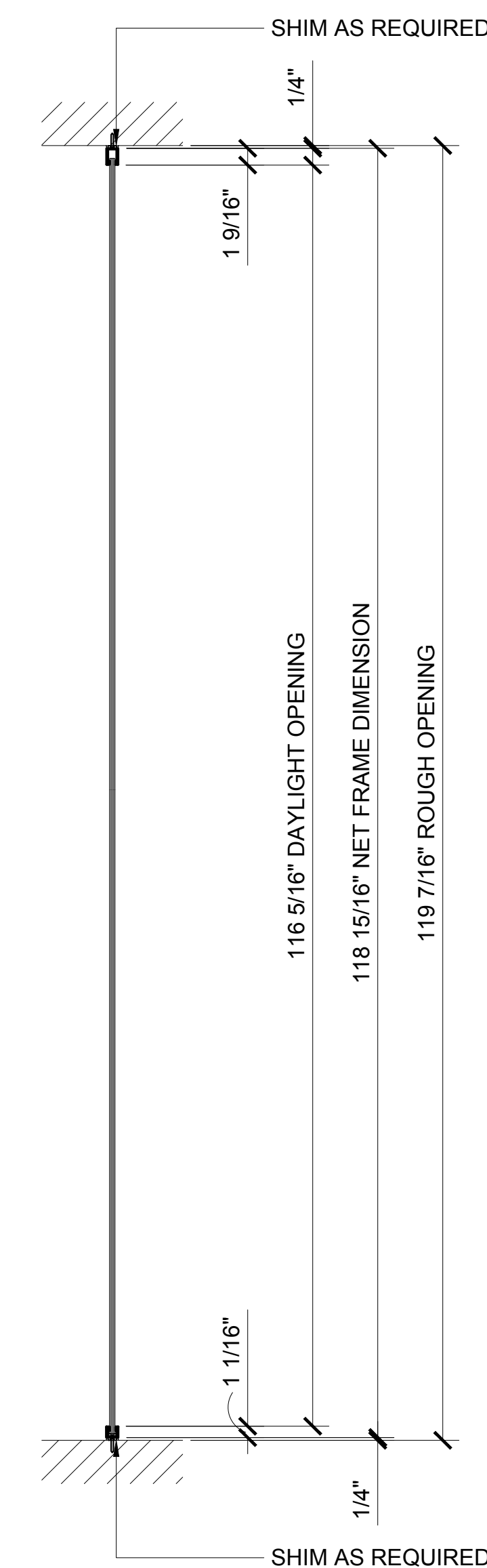
2 ELEVATION

ARCH REF: 1"=1'-0"



3 DOOR SECTION

ARCH REF: 1"=1'-0"



4 SIDELITE SECTION

ARCH REF: 1"=1'-0"

Revisions By:

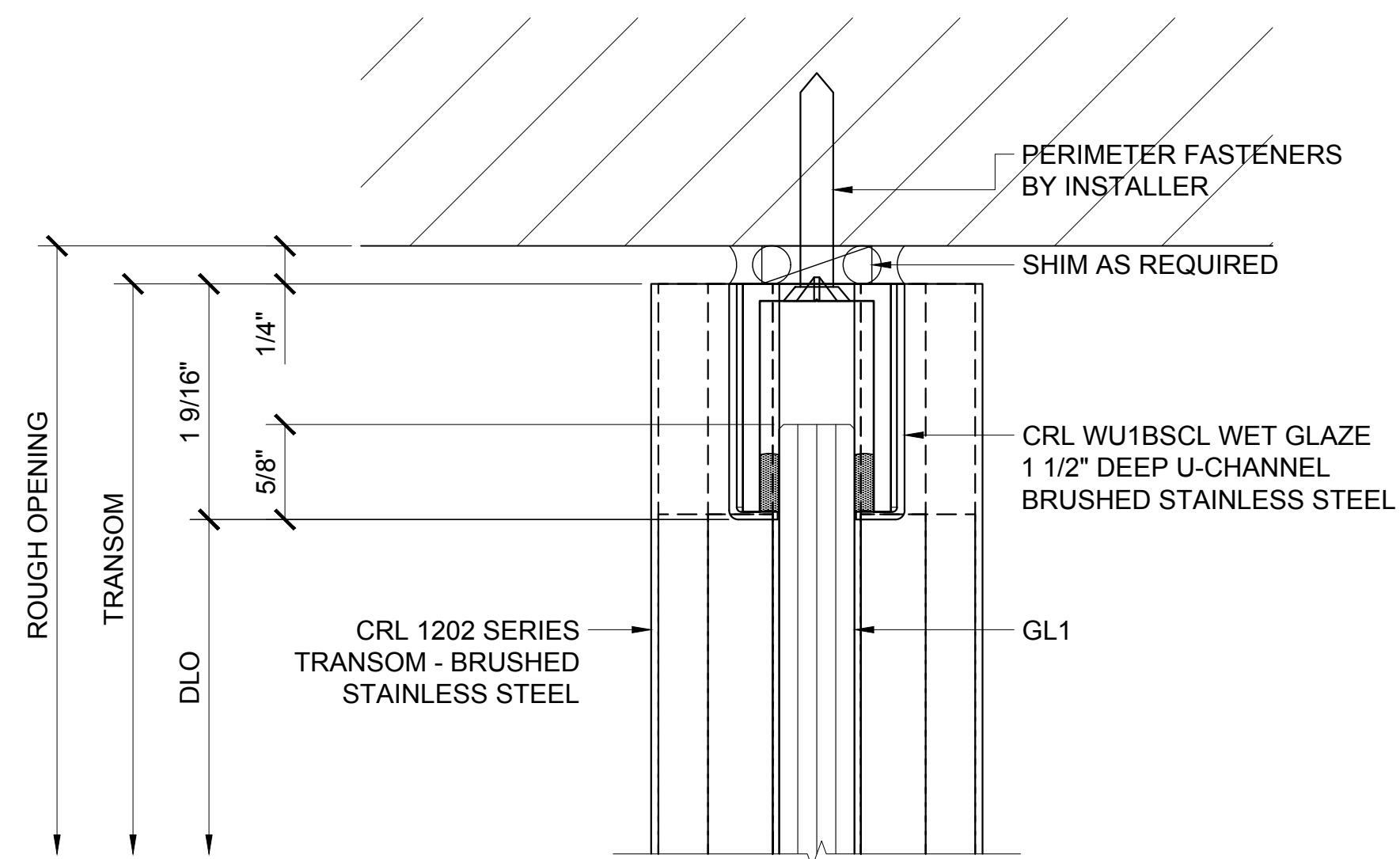


Discription:
 1202 SERIES SWINGING
 SINGLE GLASS DOORS
 W/ TRANSOM & W/ SIDELITES
 ON TWO SIDES

Drawn By: AAD
 Date: 10/14/16
 Scale: AS NOTED
 File Name: 5-1202 Series Swinging
 Single Glass Doors - W Transom &
 W Sidelites.dwg

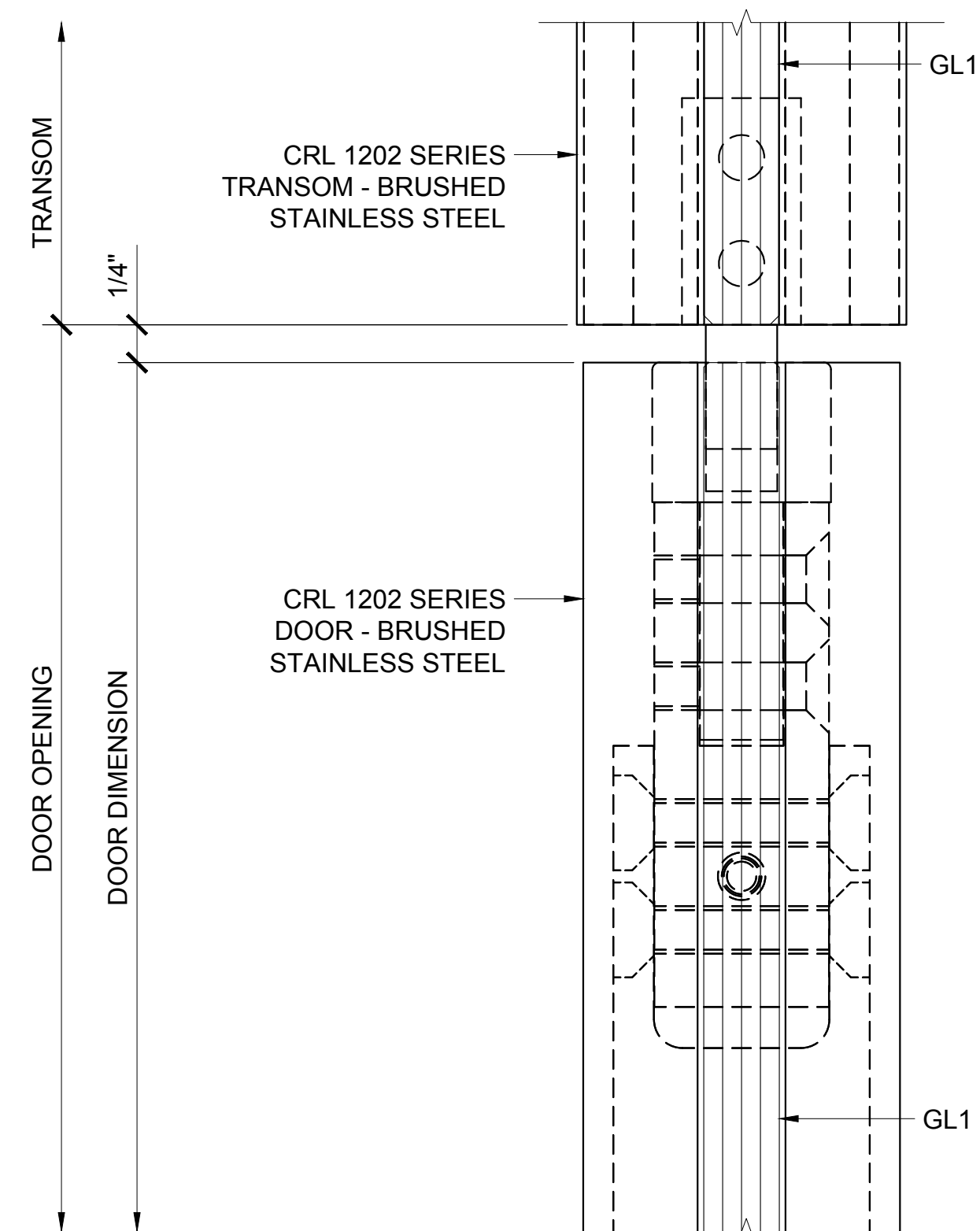
Sheet

1.15



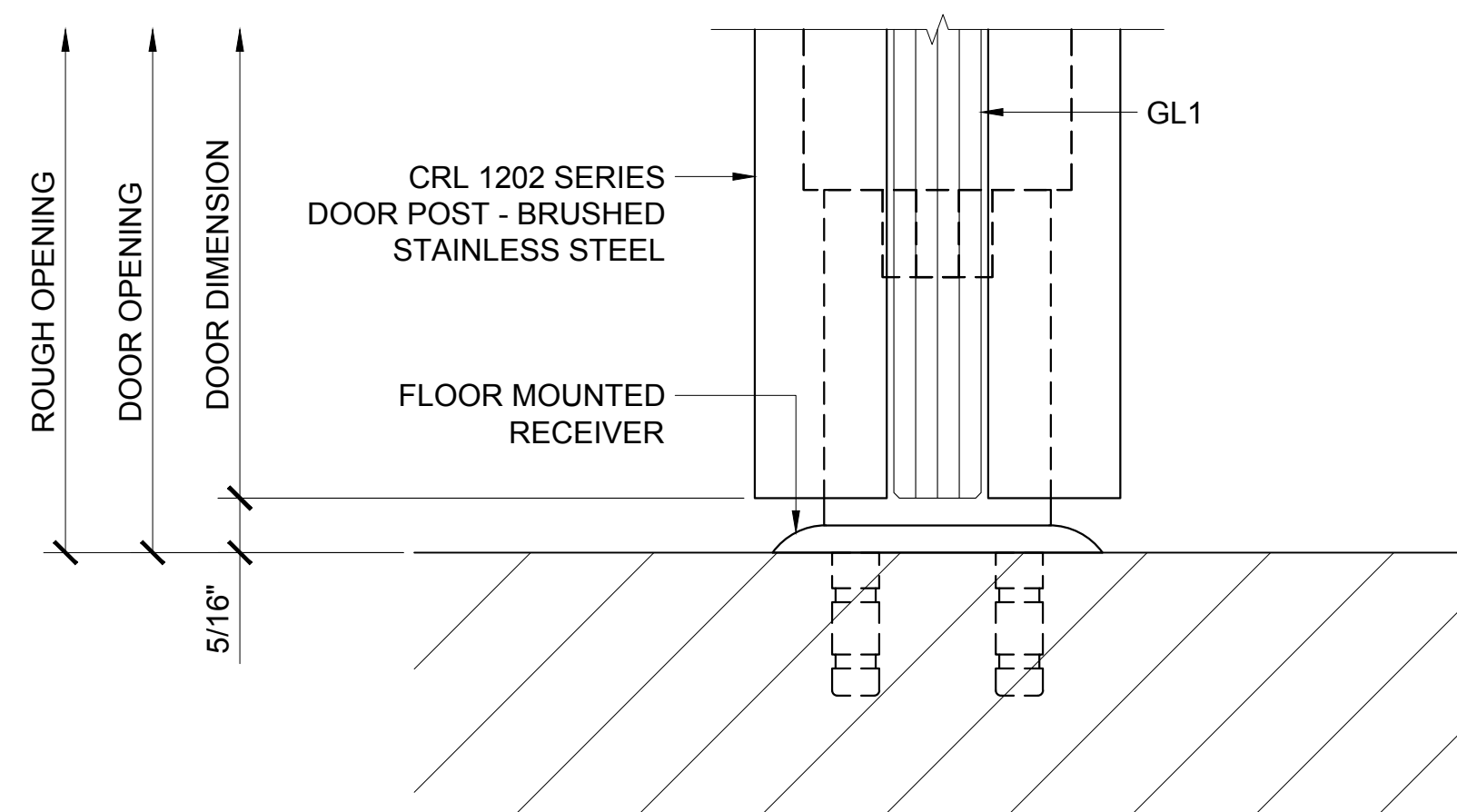
① TRANSOM HEAD DETAIL

ARCH REF: 1'-0"=1'-0"



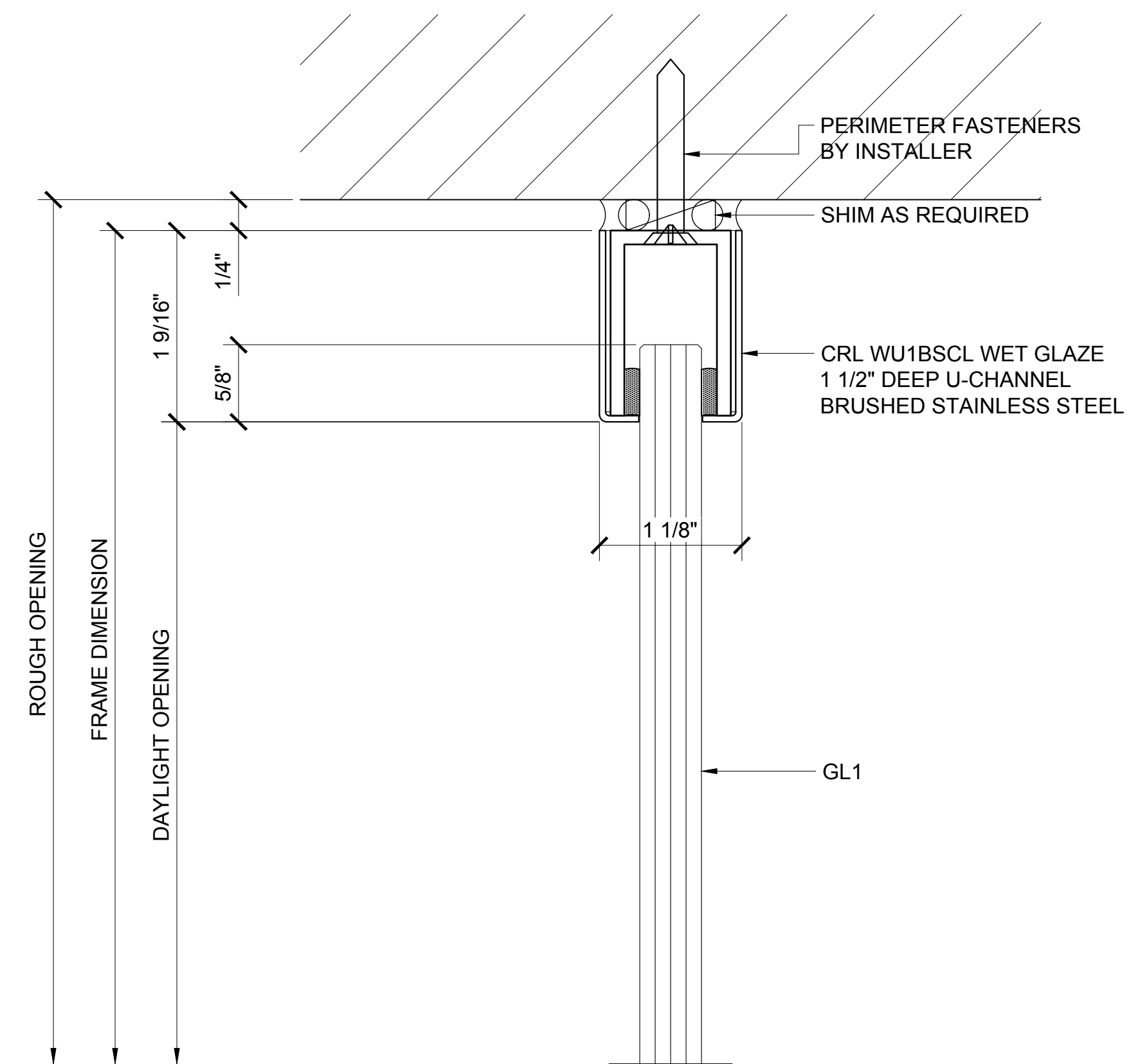
② DOOR HEAD AT TRANSOM DETAIL

ARCH REF: 1'-0"=1'-0"



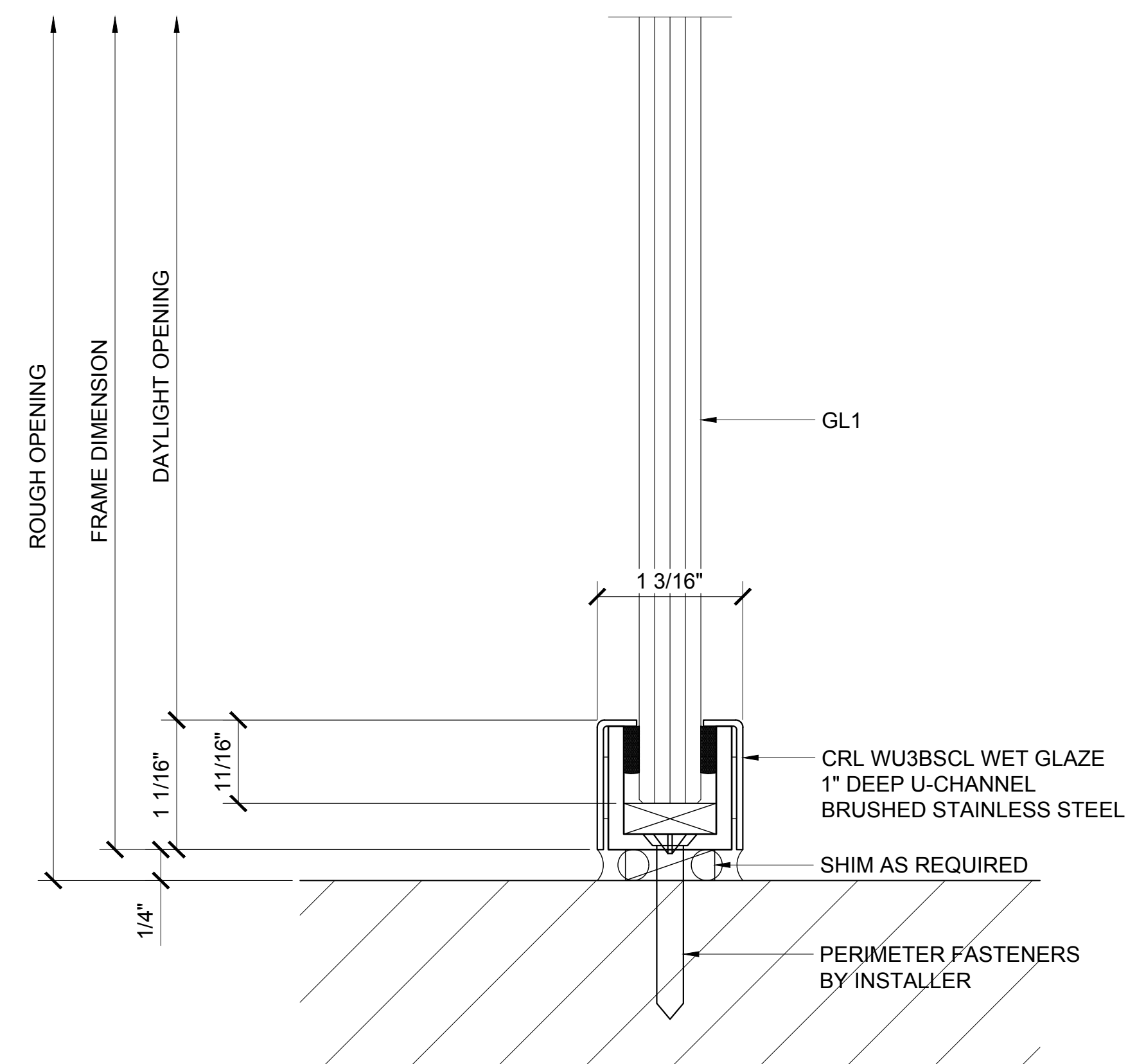
③ DOOR SILL DETAIL

ARCH REF: 1'-0"=1'-0"



④ SIDELITE HEAD DETAIL

ARCH REF: 1'-0"=1'-0"



⑤ SIDELITE SILL DETAIL

ARCH REF: 1'-0"=1'-0"

Revisions By:



Description:
1202 SERIES SWINGING
SINGLE GLASS DOORS
W/ TRANSOM & W/ SIDELITES
ON TWO SIDES

Drawn By: AAD

Date: 10/14/16

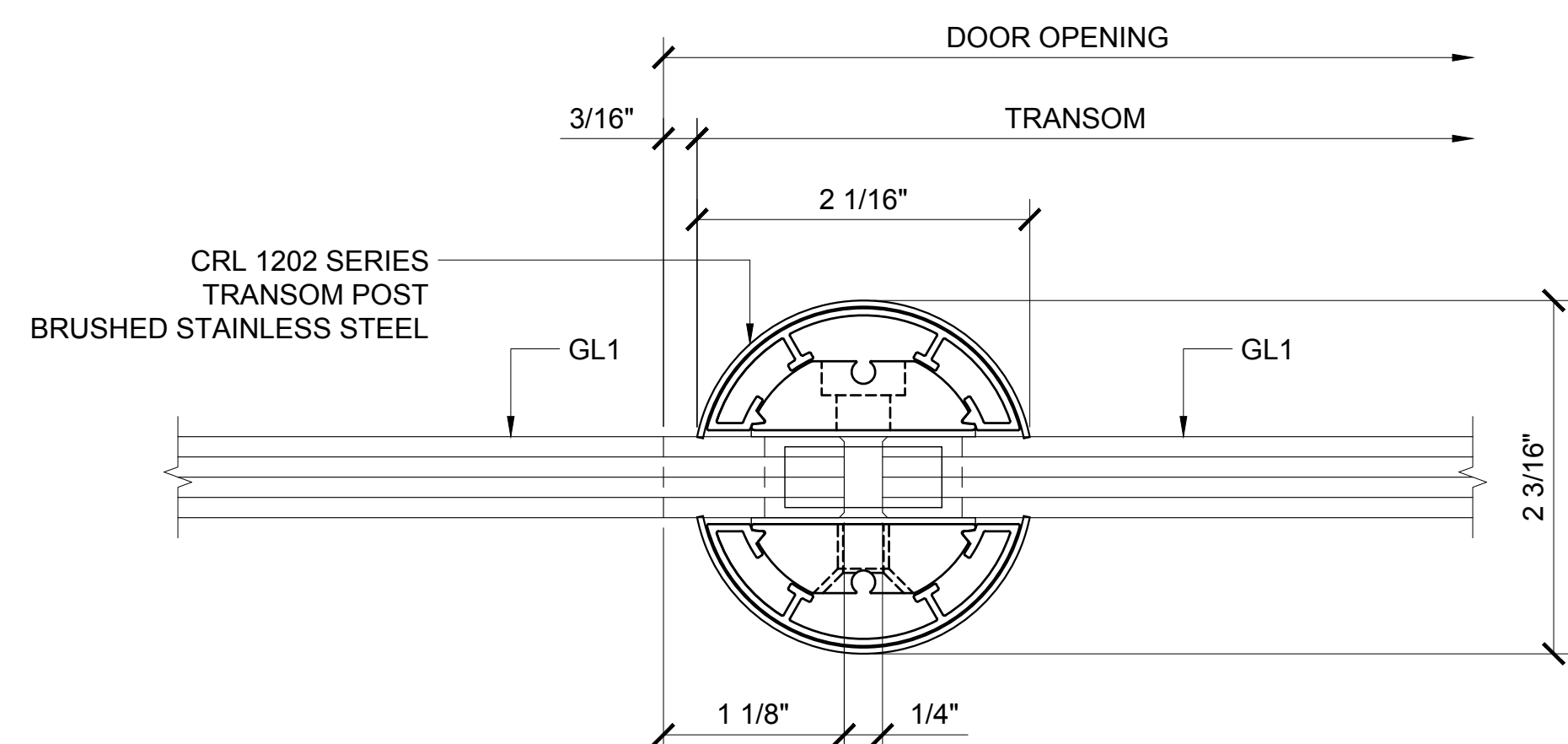
Scale: AS NOTED

File Name: S-1202 Series Swinging
Single Glass Doors - W Transom &
W Sidelites.dwg

Sheet

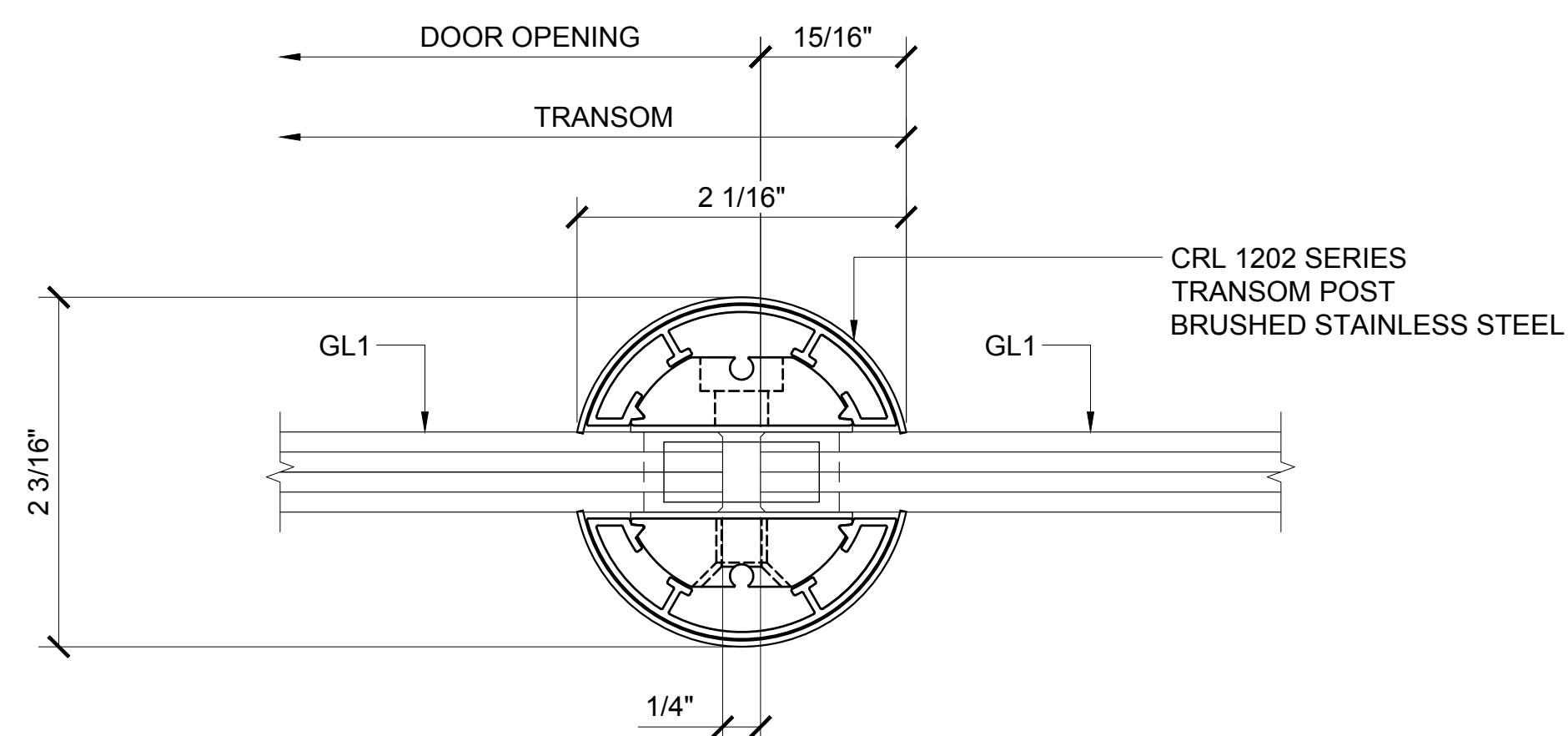
2.15

Revisions By:



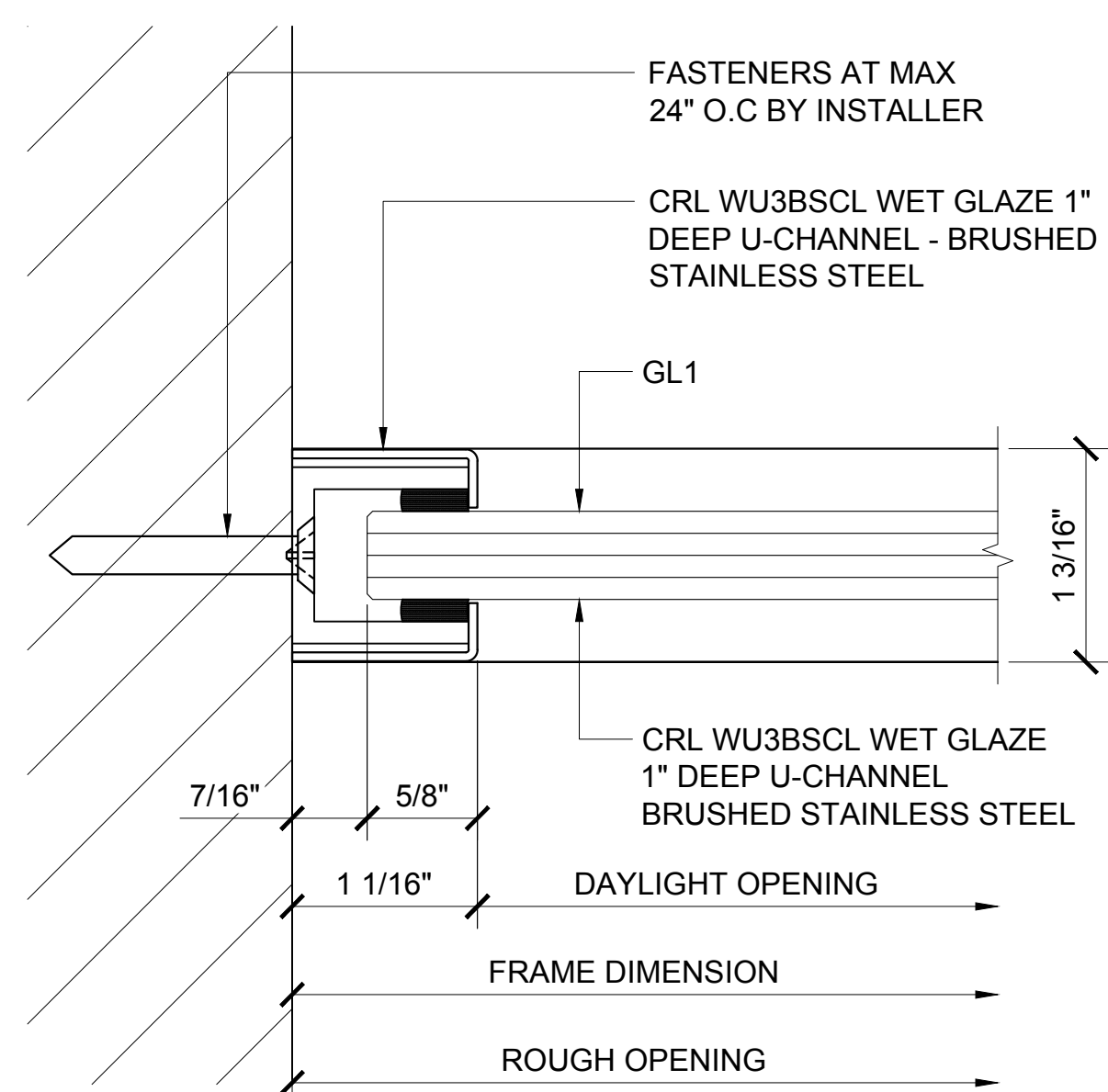
⑤ TRANSOM POST SECTION DETAIL

ARCH REF: 1'-0\"=1'-0\"



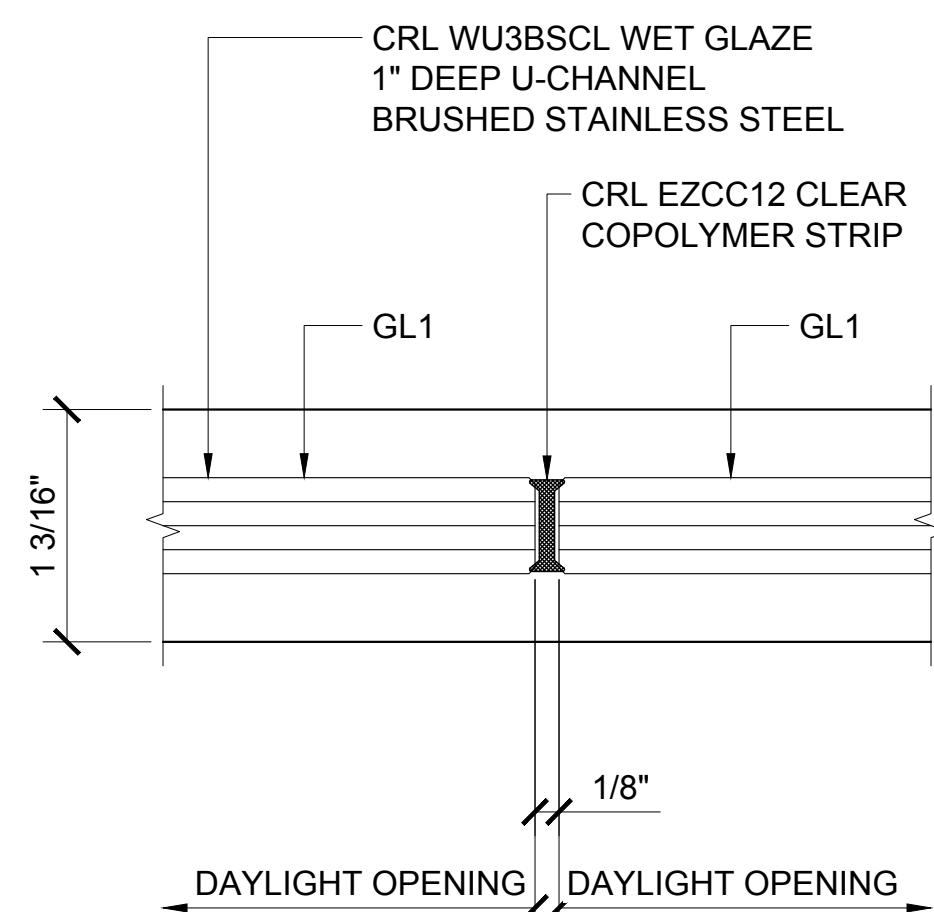
⑥ TRANSOM POST SECTION DETAIL

ARCH REF: 1'-0\"=1'-0\"



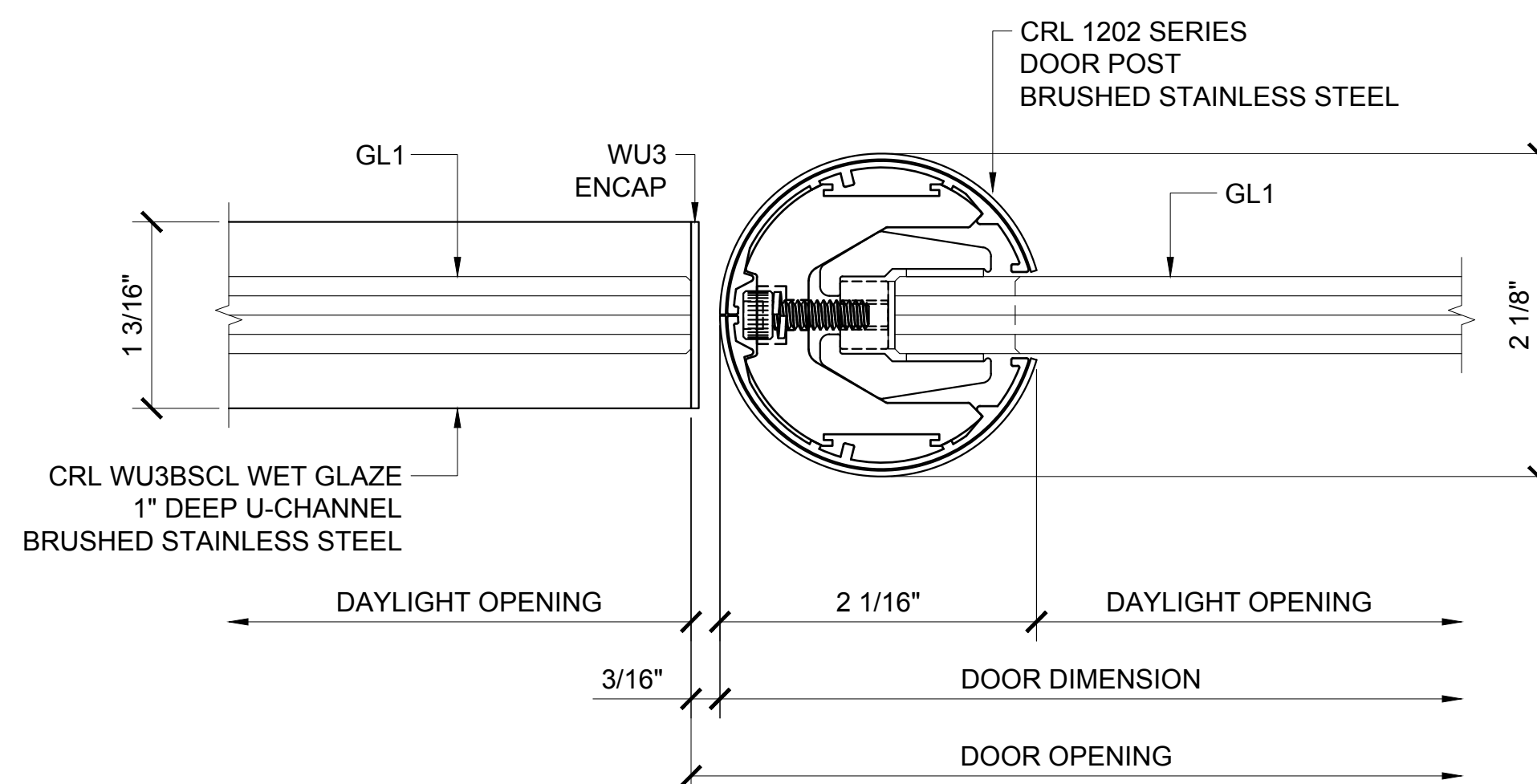
① WALL JAMB DETAIL

ARCH REF: 1'-0\"=1'-0\"



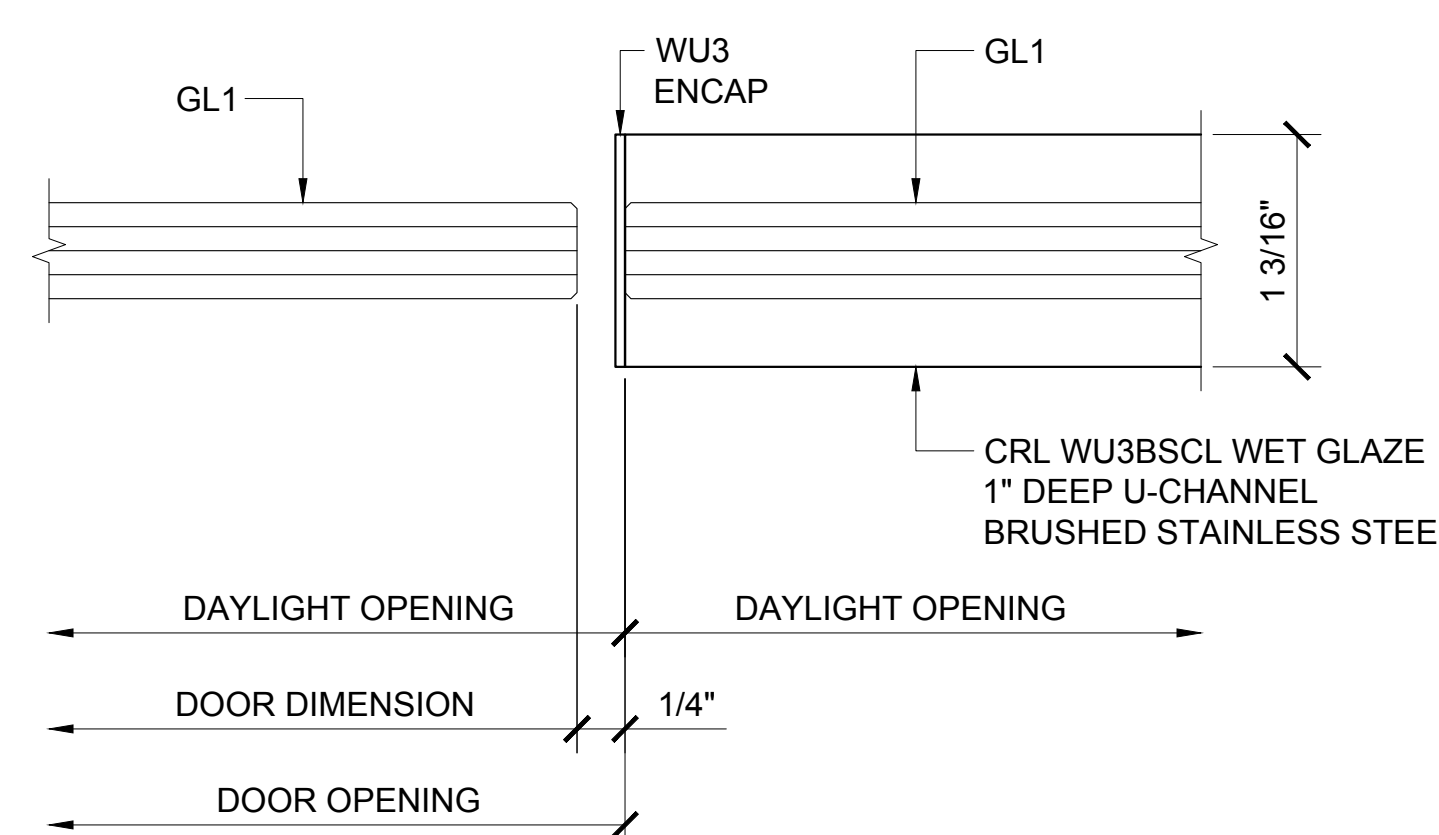
② GLASS JOINT

ARCH REF: 1'-0\"=1'-0\"



③ DOOR PIVOT POST SECTION DETAIL

ARCH REF: 1'-0\"=1'-0\"



④ DOOR JAMB AT SIDELITE

ARCH REF: 1'-0\"=1'-0\"

Description:
1202 SERIES SWINGING
SINGLE GLASS DOORS
W/ TRANSOM & W/ SIDELITES
ON TWO SIDES

Drawn By: AAD

Date: 10/14/16

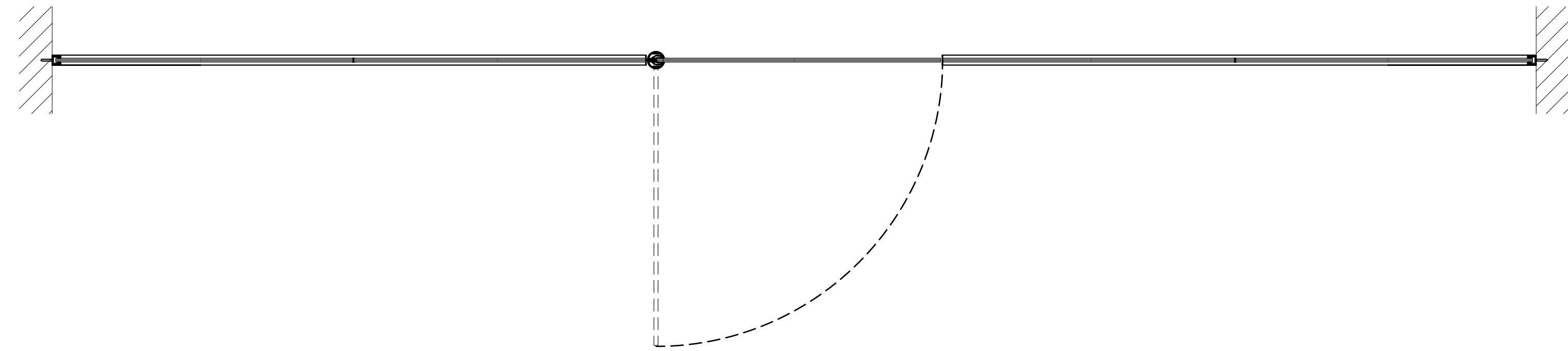
Scale: AS NOTED

File Name: 5-1202 Series Swinging
Single Glass Doors - W Transom &
W Sidelites.dwg

Sheet

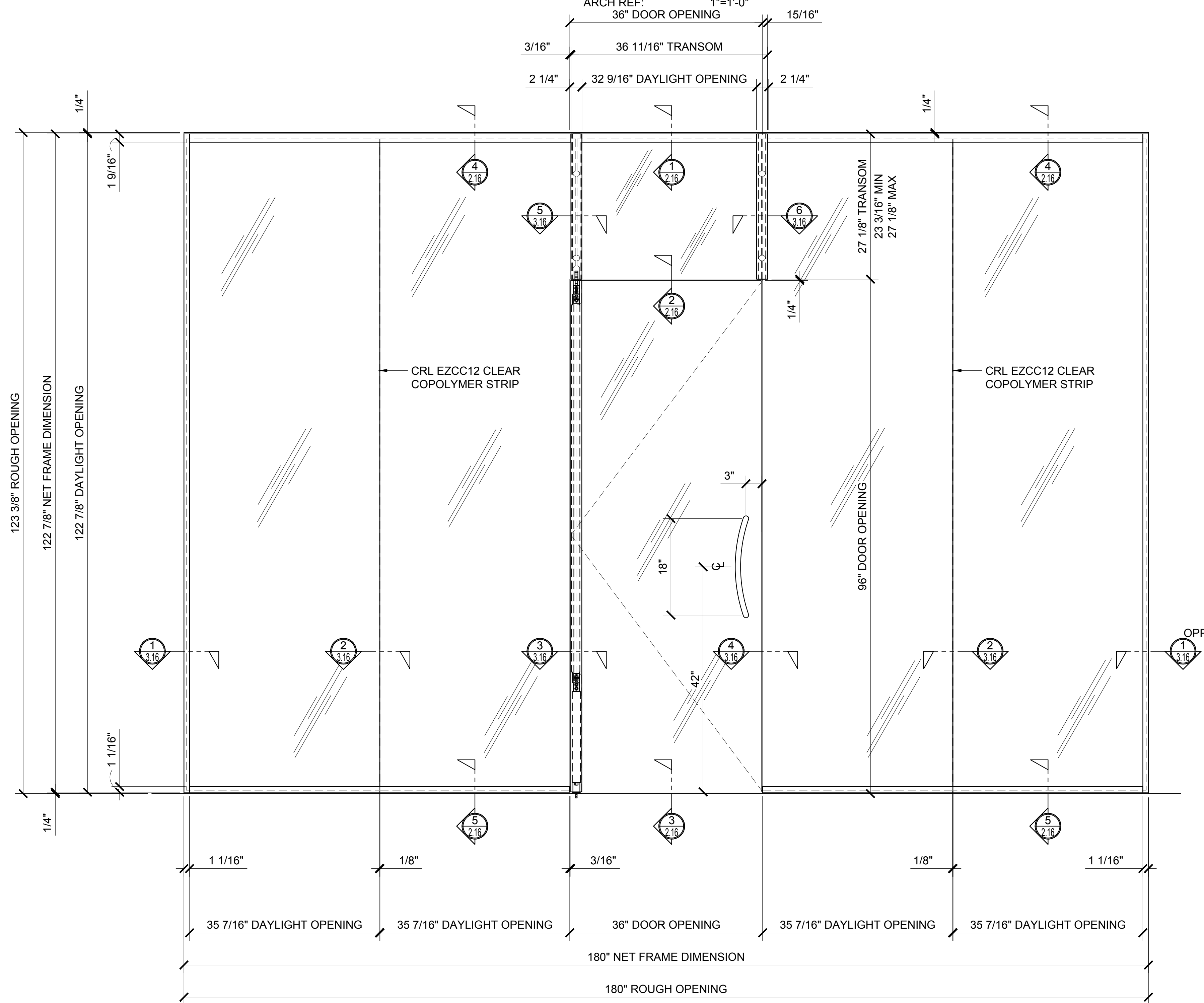


1202 SERIES SWINGING SINGLE GLASS DOORS - W/ MEDIUM TRANSOM & W/ SIDELITES
23 3/16" MIN TO 27 1/8" MAX HEIGHT



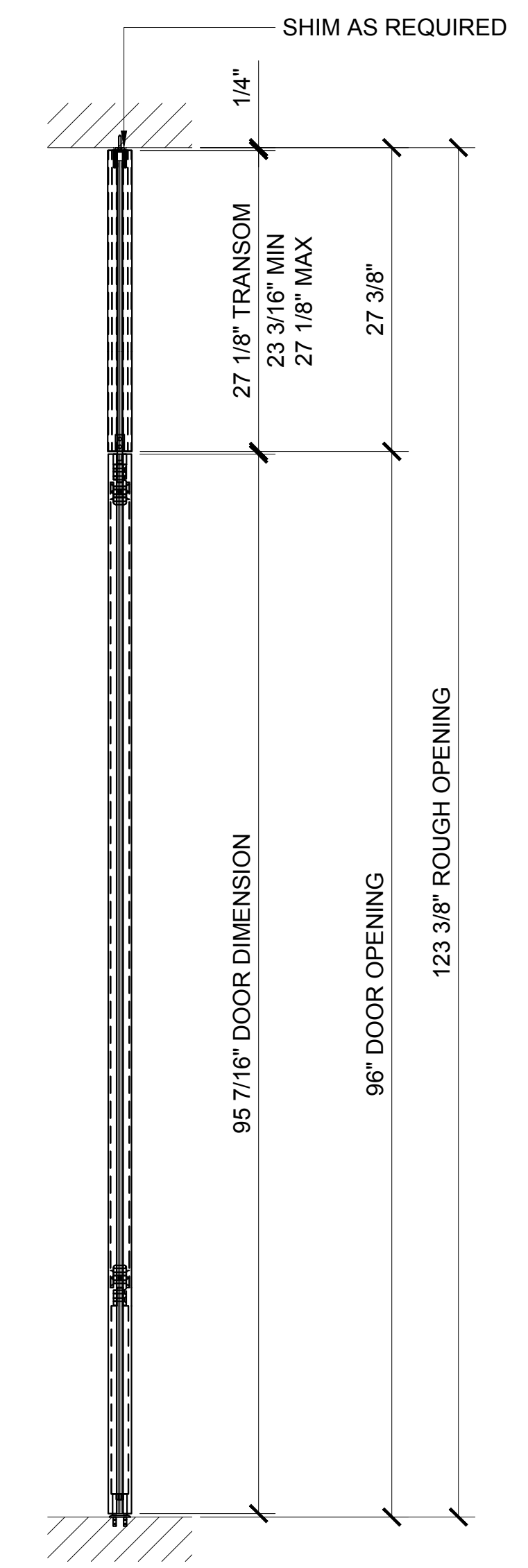
① PLAN

ARCH REF: 1"=1'-0"



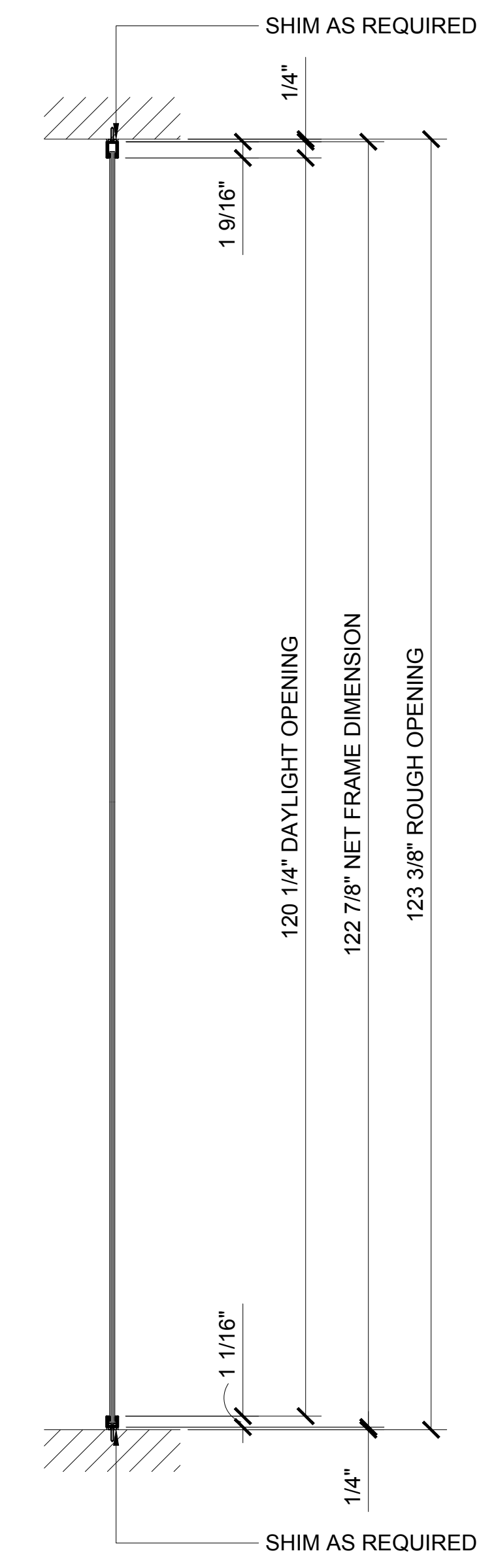
② ELEVATION

ARCH REF: 1"=1'-0"



③ DOOR SECTION

ARCH REF: 1"=1'-0"



④ SIDELITE SECTION

ARCH REF: 1"=1'-0"

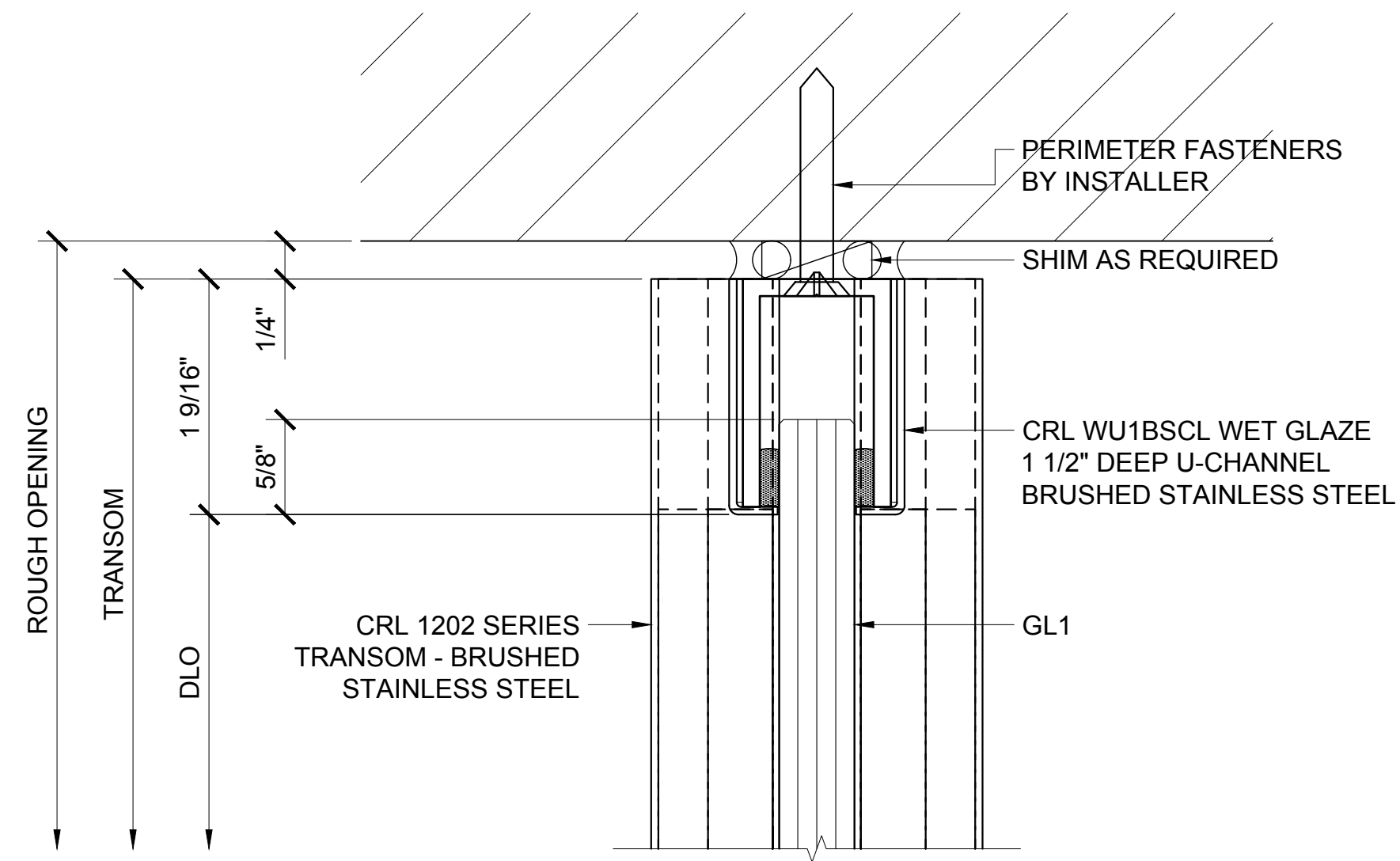
Revisions By:



Discription:
**1202 SERIES SWINGING
 SINGLE GLASS DOORS
 W/ TRANSOM & W/ SIDELITES
 ON TWO SIDES**

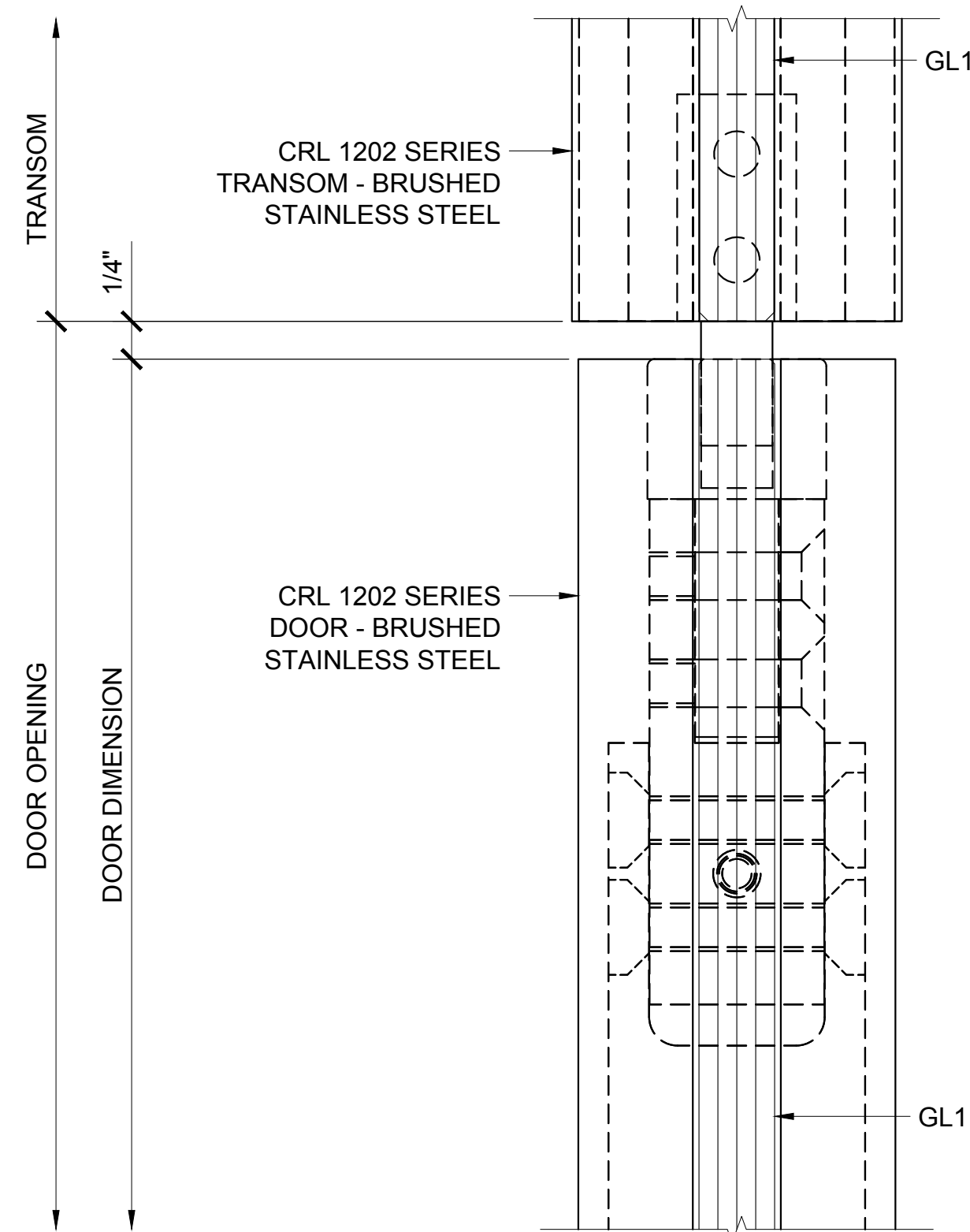
Drawn By: AAD
 Date: 10/14/16
 Scale: AS NOTED
 File Name: 5-1202 Series Swinging
 Single Glass Doors - W Transom &
 W Sidelites.dwg

Sheet



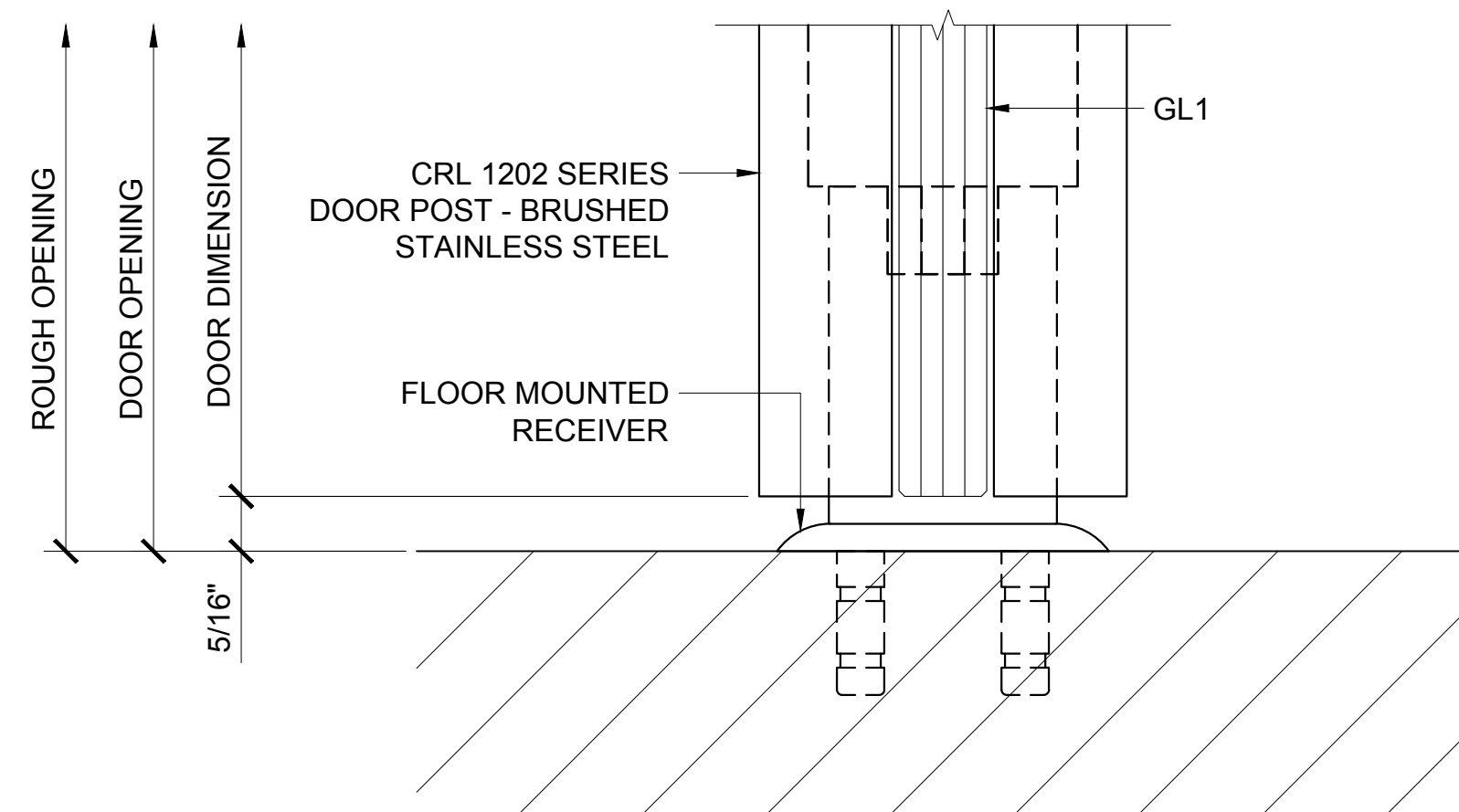
① TRANSOM HEAD DETAIL

ARCH REF: 1'-0"=1'-0"



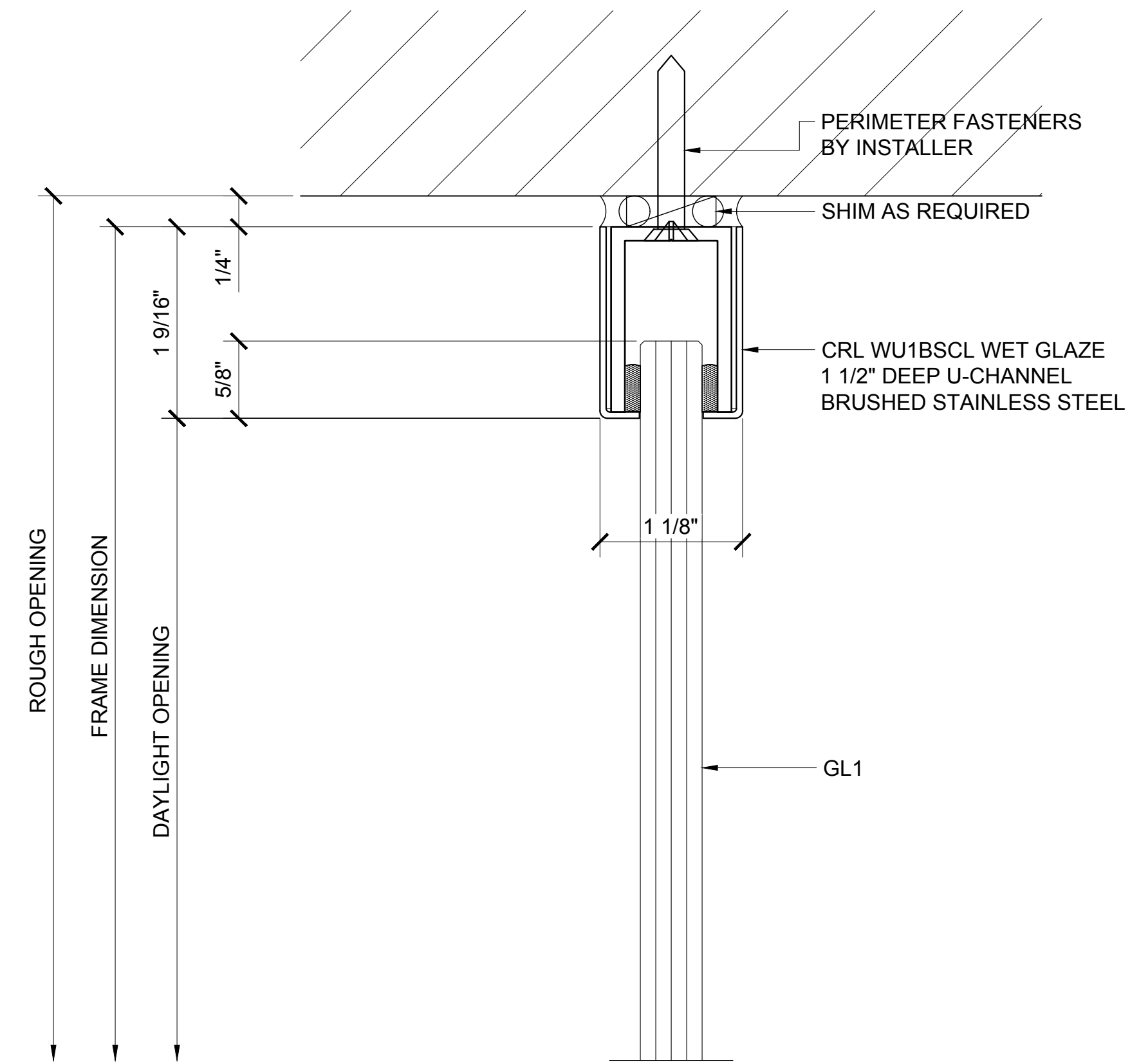
② DOOR HEAD AT TRANSOM DETAIL

ARCH REF: 1'-0"=1'-0"



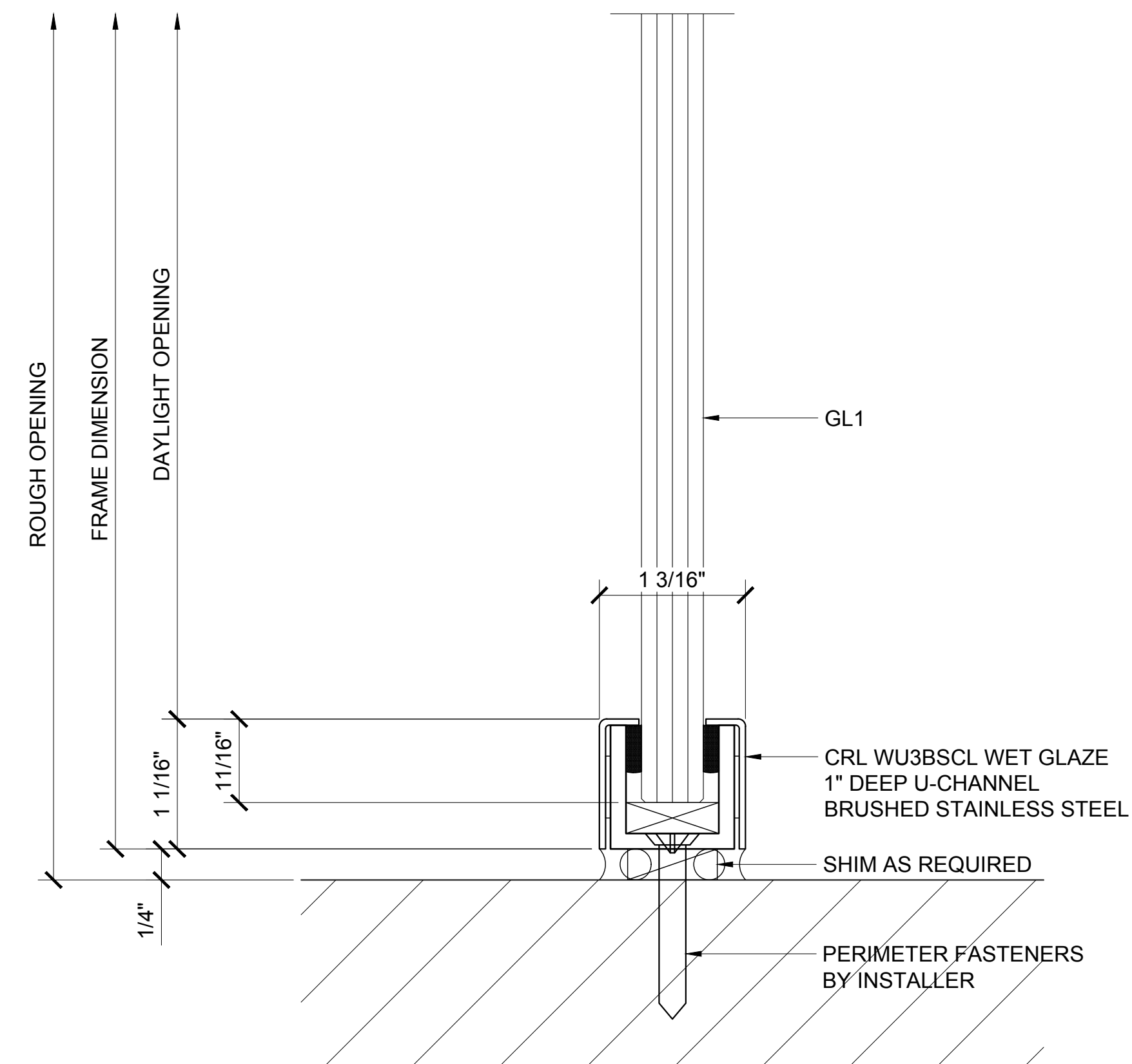
③ DOOR SILL DETAIL

ARCH REF: 1'-0"=1'-0"



④ SIDELITE HEAD DETAIL

ARCH REF: 1'-0"=1'-0"



⑤ SIDELITE SILL DETAIL

ARCH REF: 1'-0"=1'-0"

Revisions By:



Description:
1202 SERIES SWINGING
SINGLE GLASS DOORS
W/ TRANSOM & W/ SIDELITES
ON TWO SIDES

Drawn By: AAD

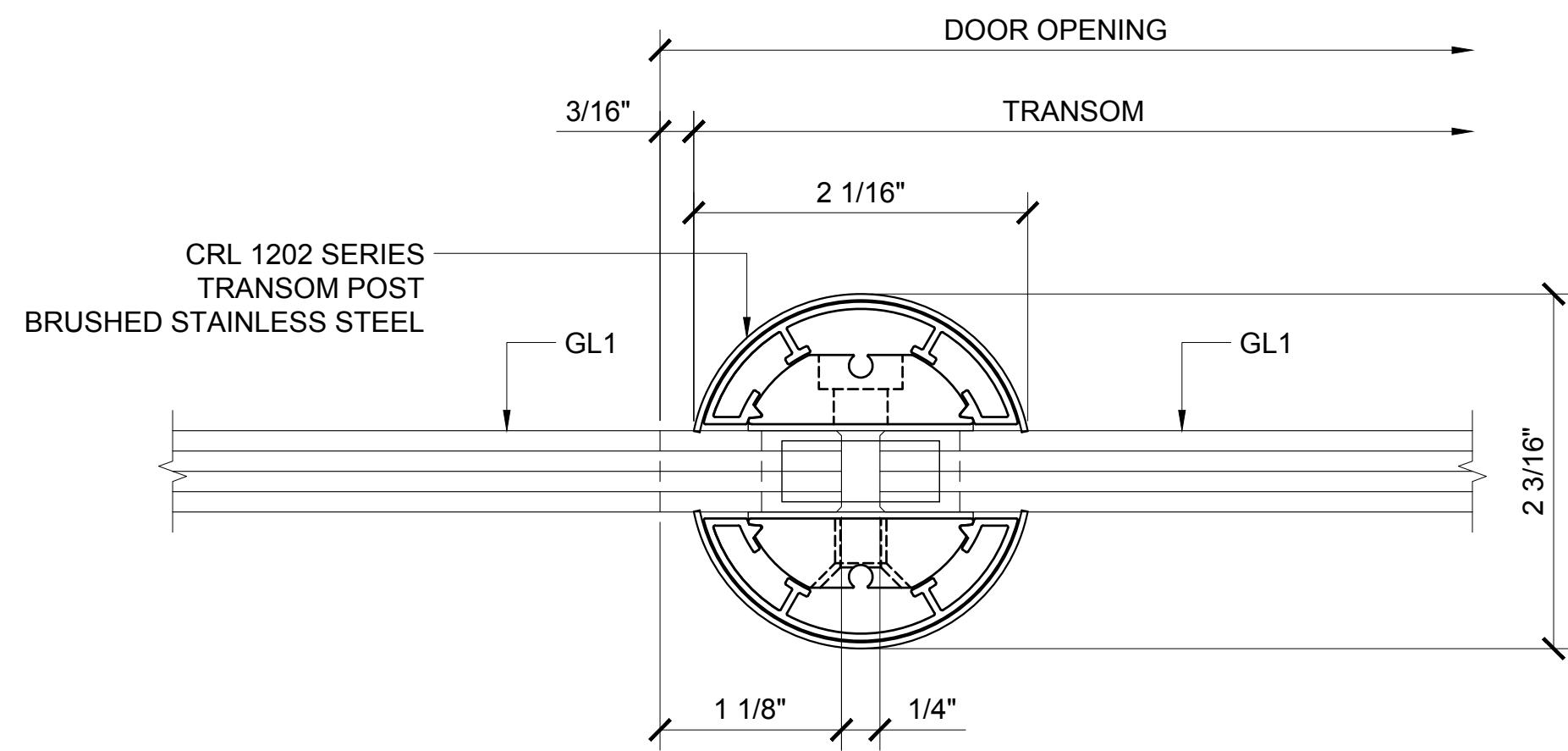
Date: 10/14/16

Scale: AS NOTED

File Name: S-1202 Series Swinging
Single Glass Doors - W Transom &
W Sidelites.dwg

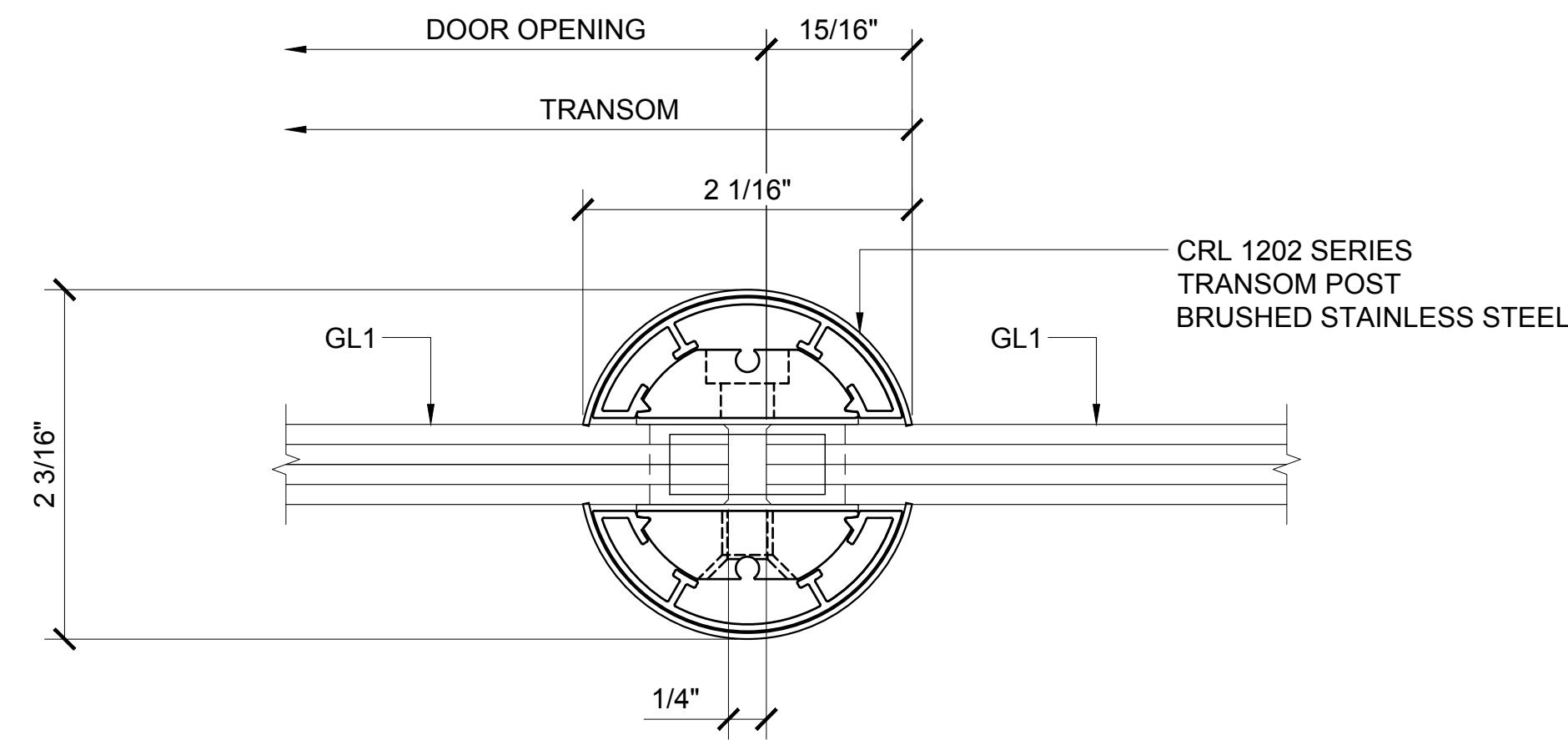
Sheet

Revisions By:



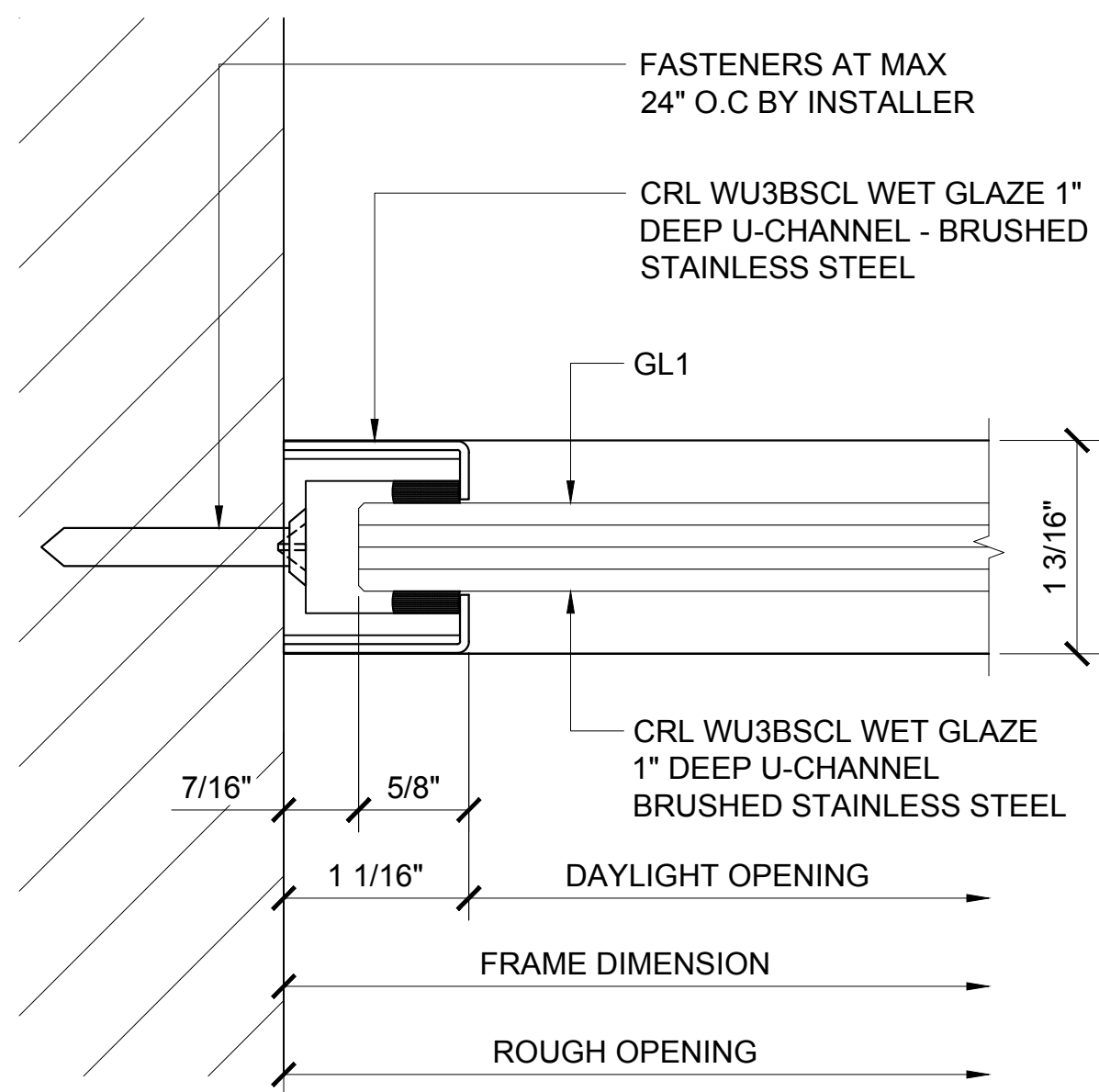
⑤ TRANSOM POST SECTION DETAIL

ARCH REF: 1'-0\"=1'-0\"



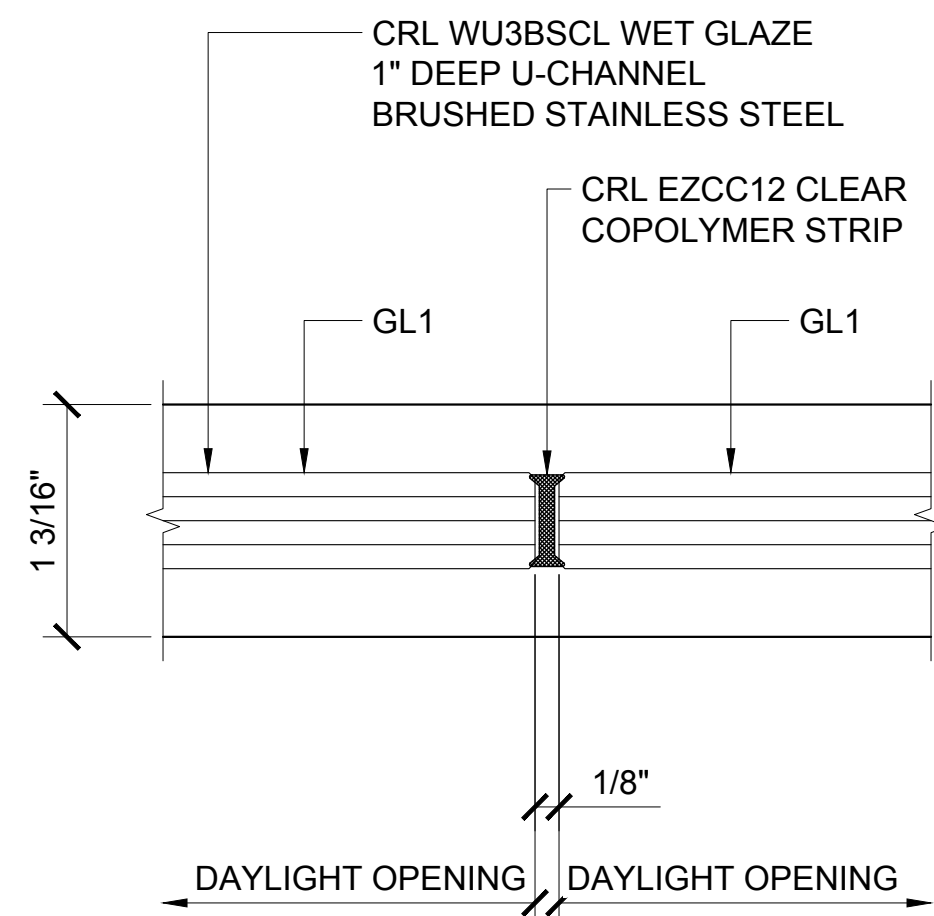
⑥ TRANSOM POST SECTION DETAIL

ARCH REF: 1'-0\"=1'-0\"



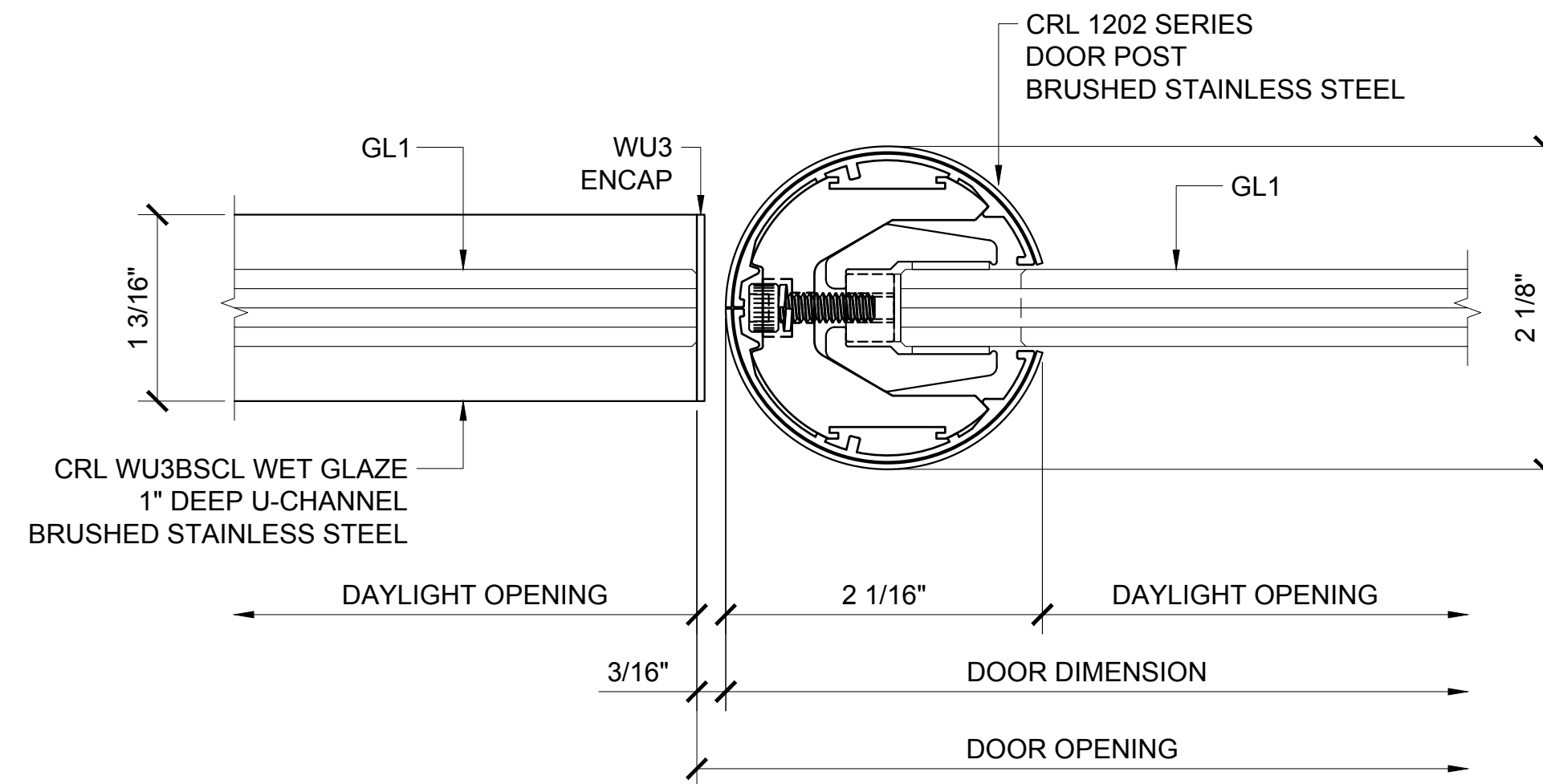
① WALL JAMB DETAIL

ARCH REF: 1'-0\"=1'-0\"



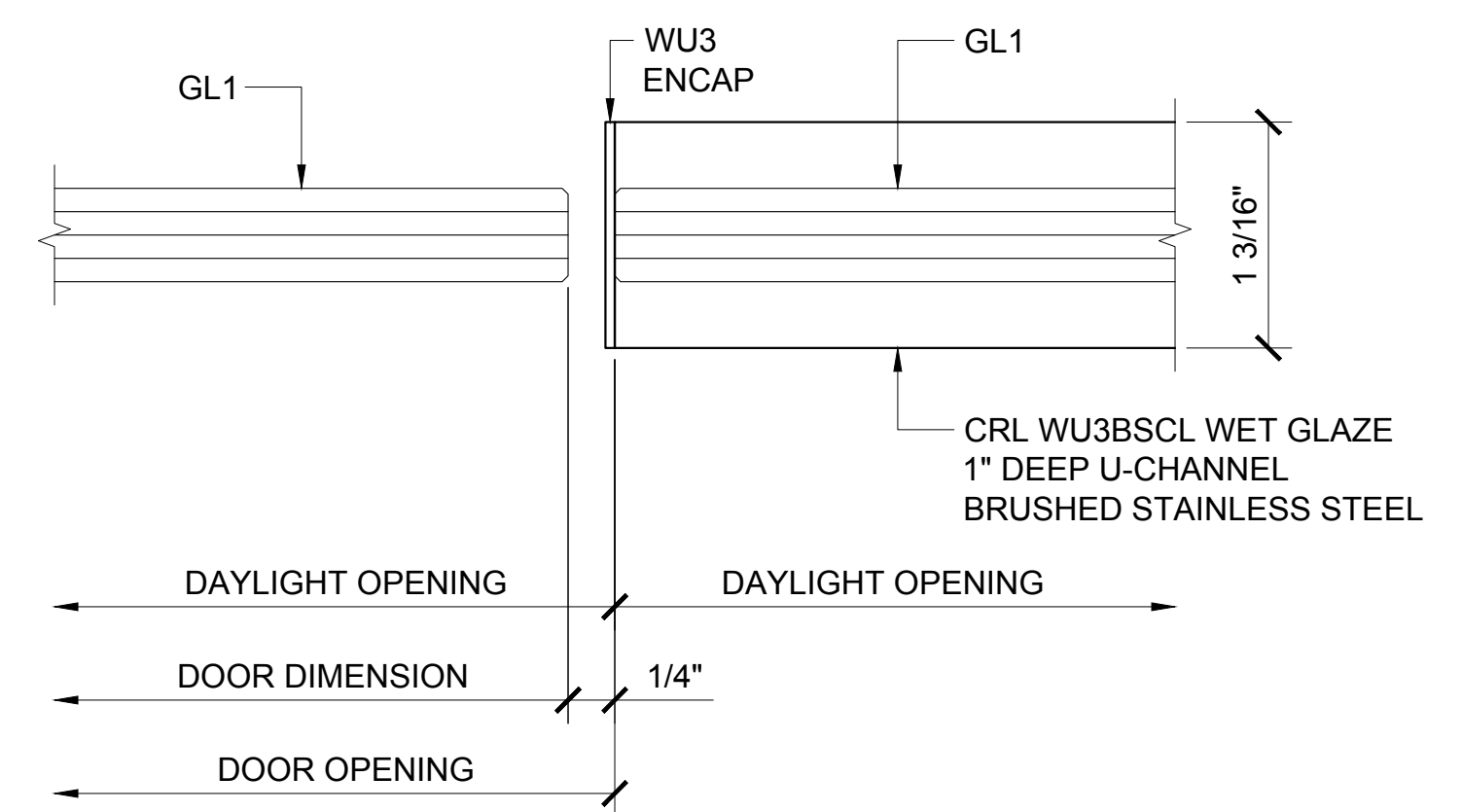
② GLASS JOINT

ARCH REF: 1'-0\"=1'-0\"



③ DOOR PIVOT POST SECTION DETAIL

ARCH REF: 1'-0\"=1'-0\"



④ DOOR JAMB AT SIDELITE

ARCH REF: 1'-0\"=1'-0\"

Description:
1202 SERIES SWINGING
SINGLE GLASS DOORS
W/ TRANSOM & W/ SIDELITES
ON TWO SIDES

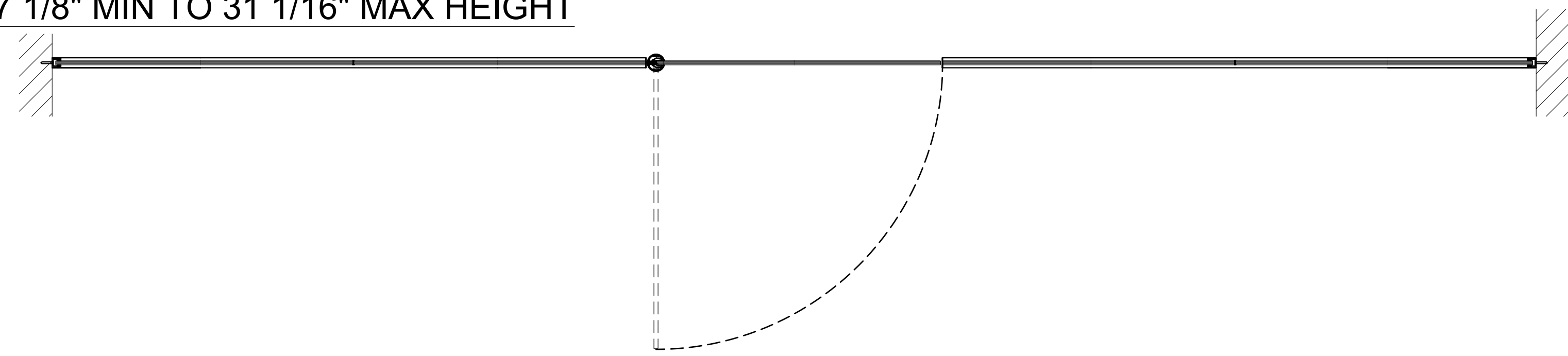
Drawn By: AAD

Date: 10/14/16

Scale: AS NOTED

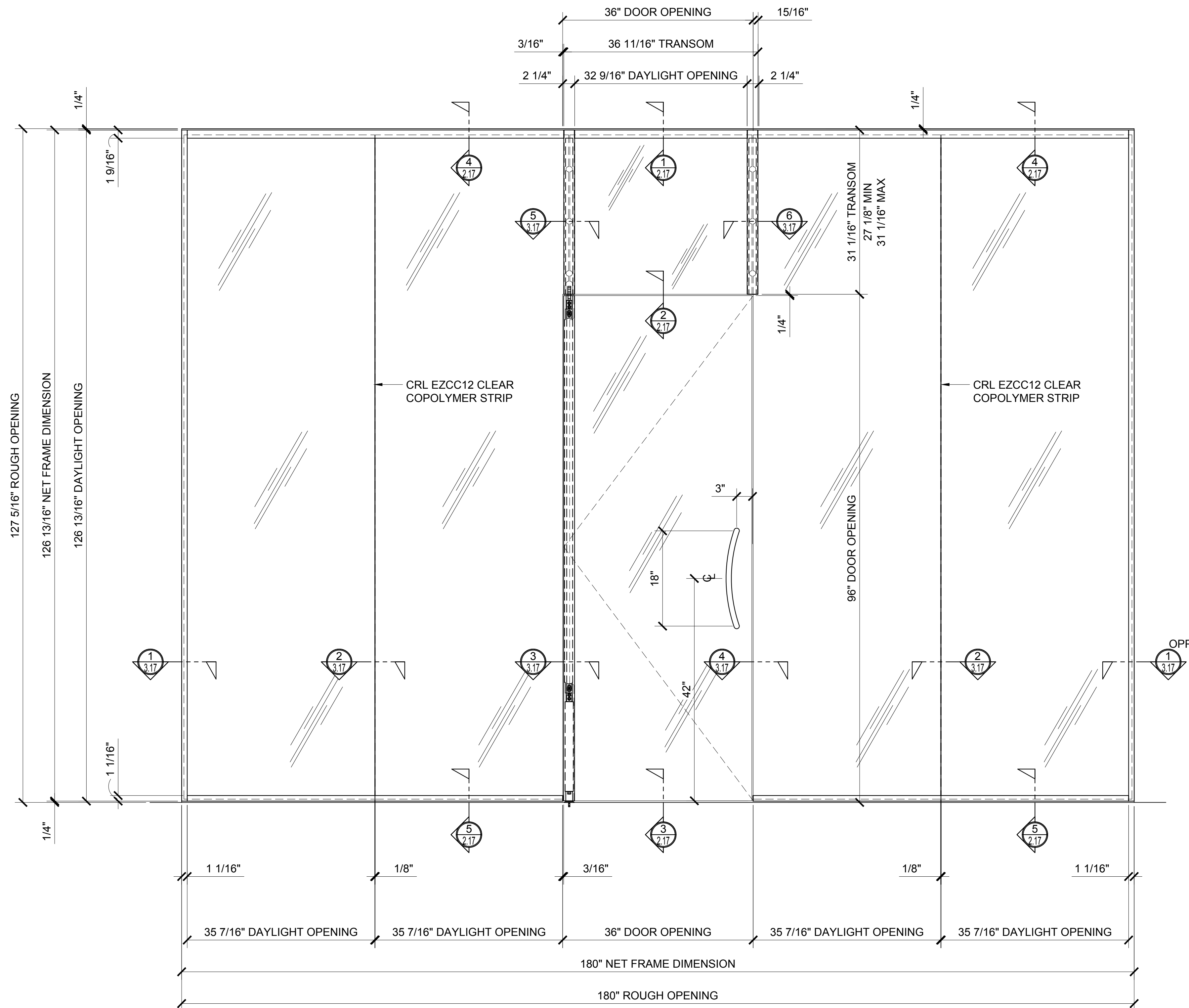
File Name: 5-1202 Series Swinging
Single Glass Doors - W Transom &
W Sidelites.dwg

Sheet



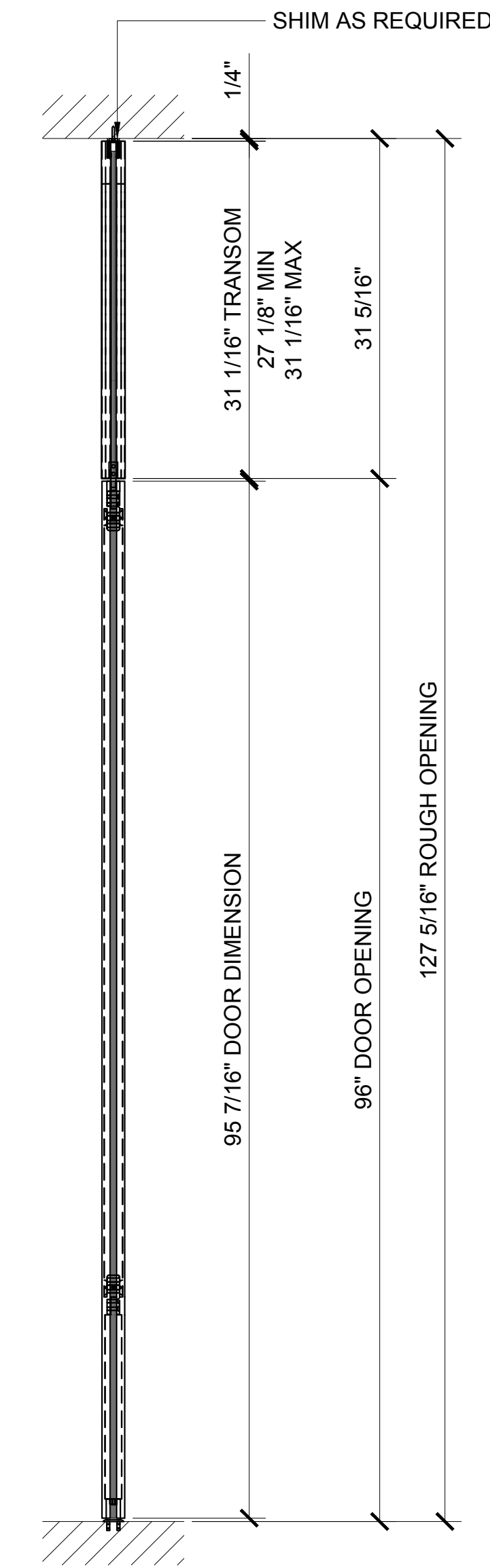
1 PLAN

ARCH REF: 1"=1'-0"



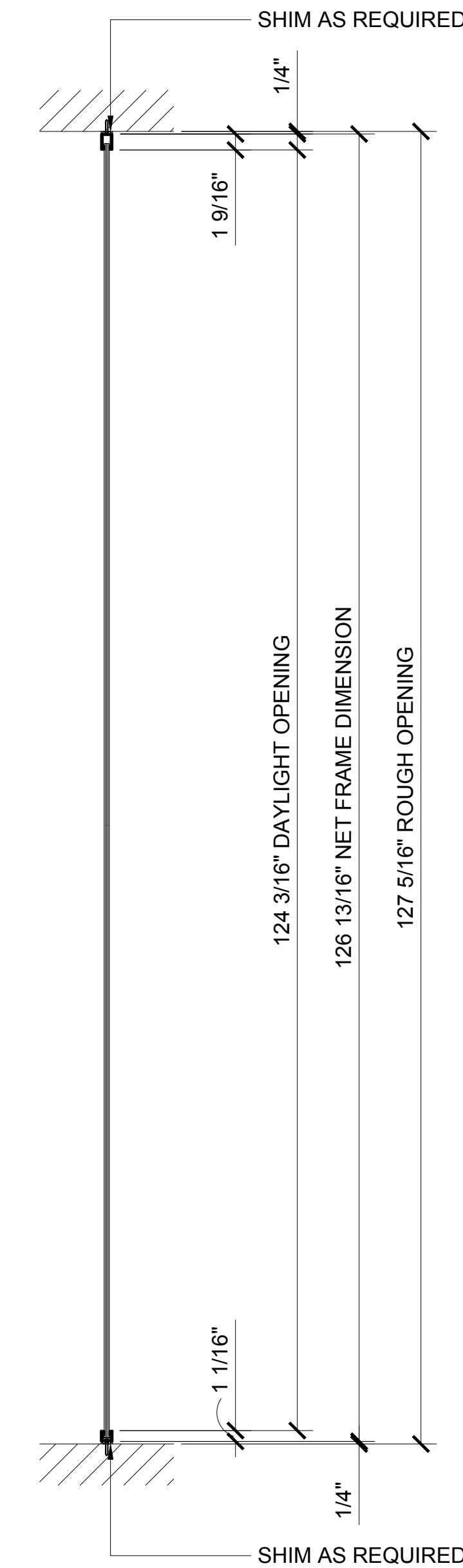
2 ELEVATION

ARCH REF: 1"=1'-0"



3 DOOR SECTION

ARCH REF: 1"=1'-0"



4 SIDELITE SECTION

ARCH REF: 1"=1'-0"

Revisions By:

Description:
1202 SERIES SWINGING
SINGLE GLASS DOORS
W/ TRANSOM & W/ SIDELITES
ON TWO SIDES

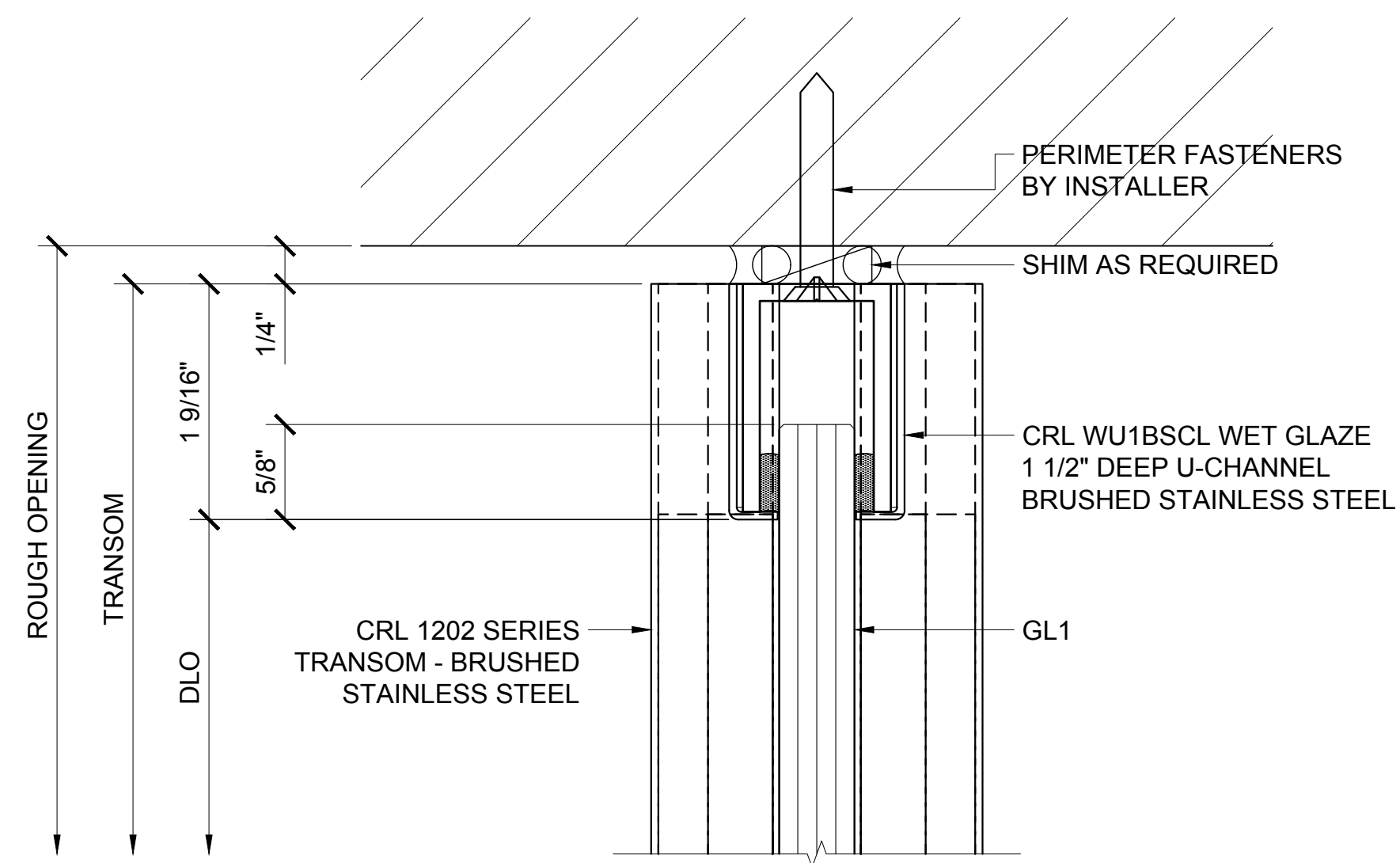
Drawn By: AAD

Date: 10/14/16

Scale: AS NOTED

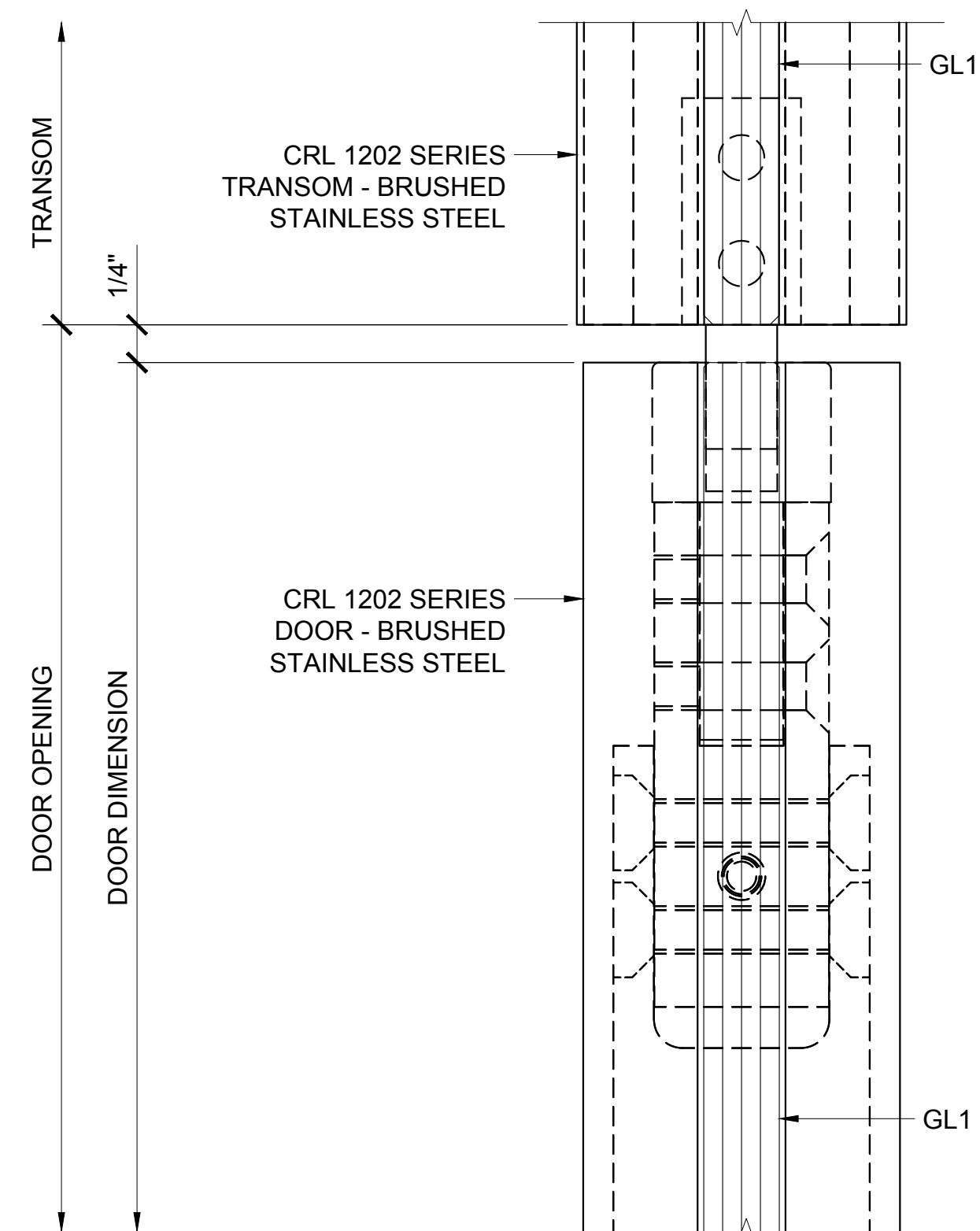
File Name: S-1202 Series Swinging
Single Glass Doors - W Transom &
W Sidelites.dwg

Sheet



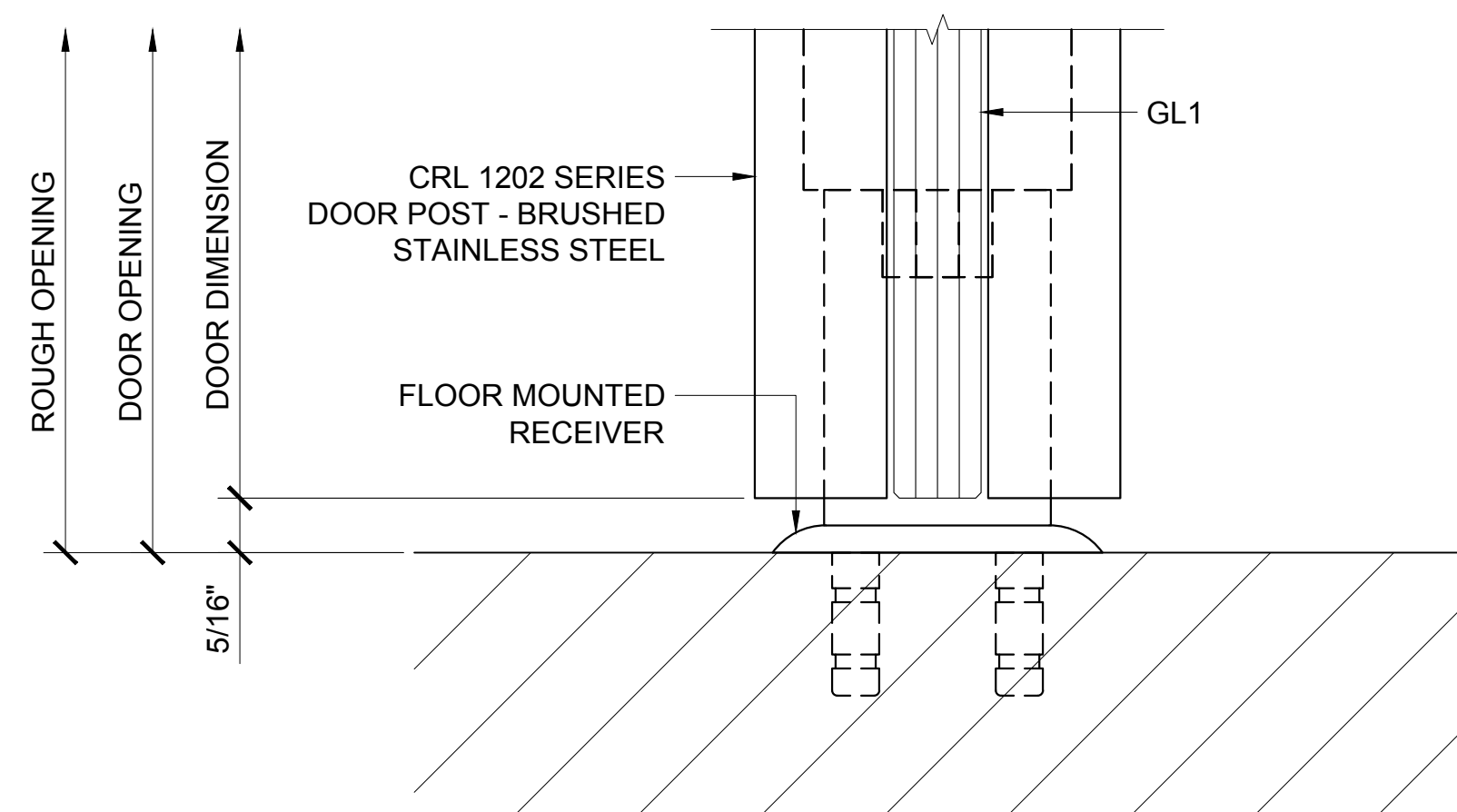
① TRANSOM HEAD DETAIL

ARCH REF: 1'-0"=1'-0"



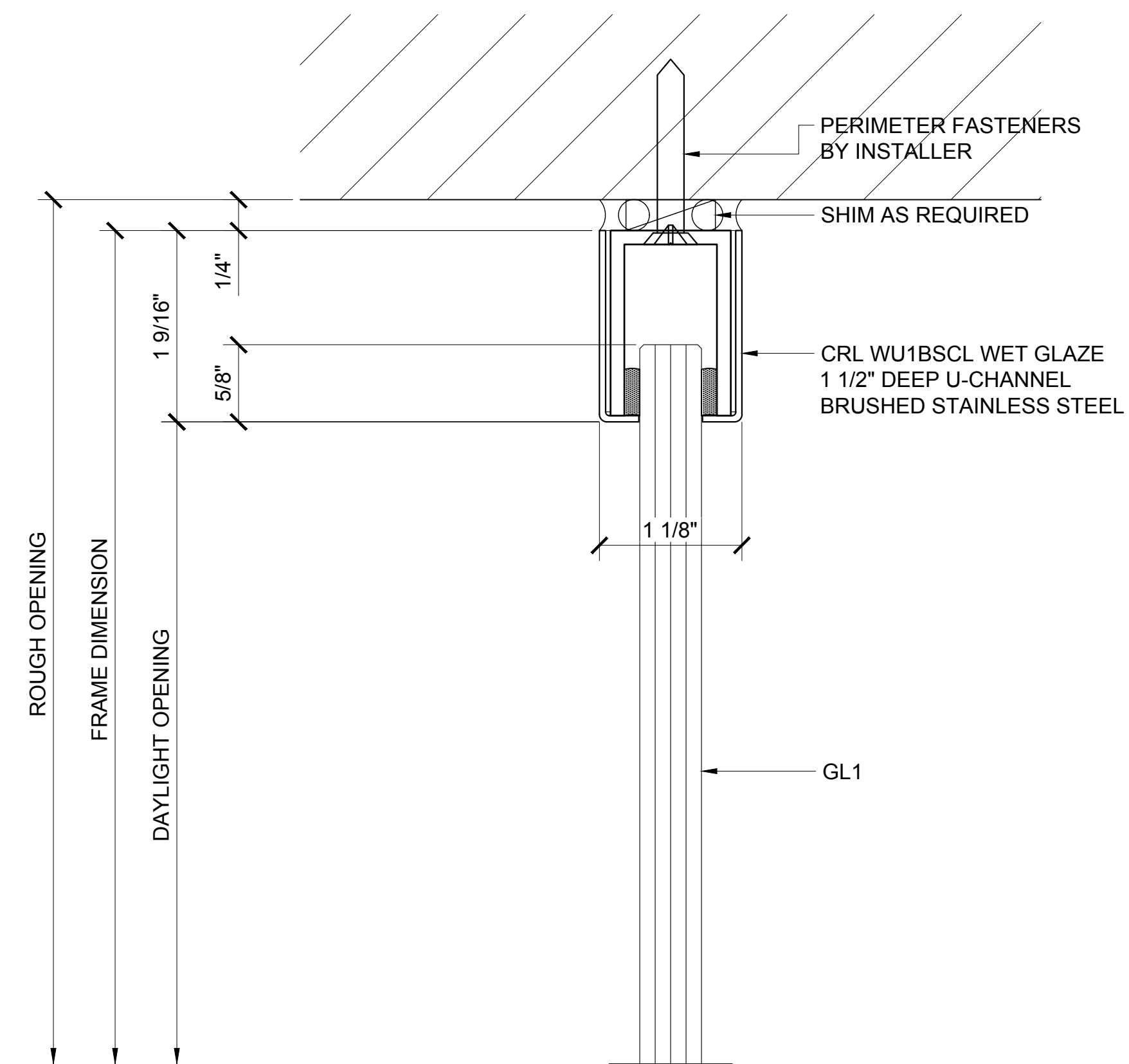
② DOOR HEAD AT TRANSOM DETAIL

ARCH REF: 1'-0"=1'-0"



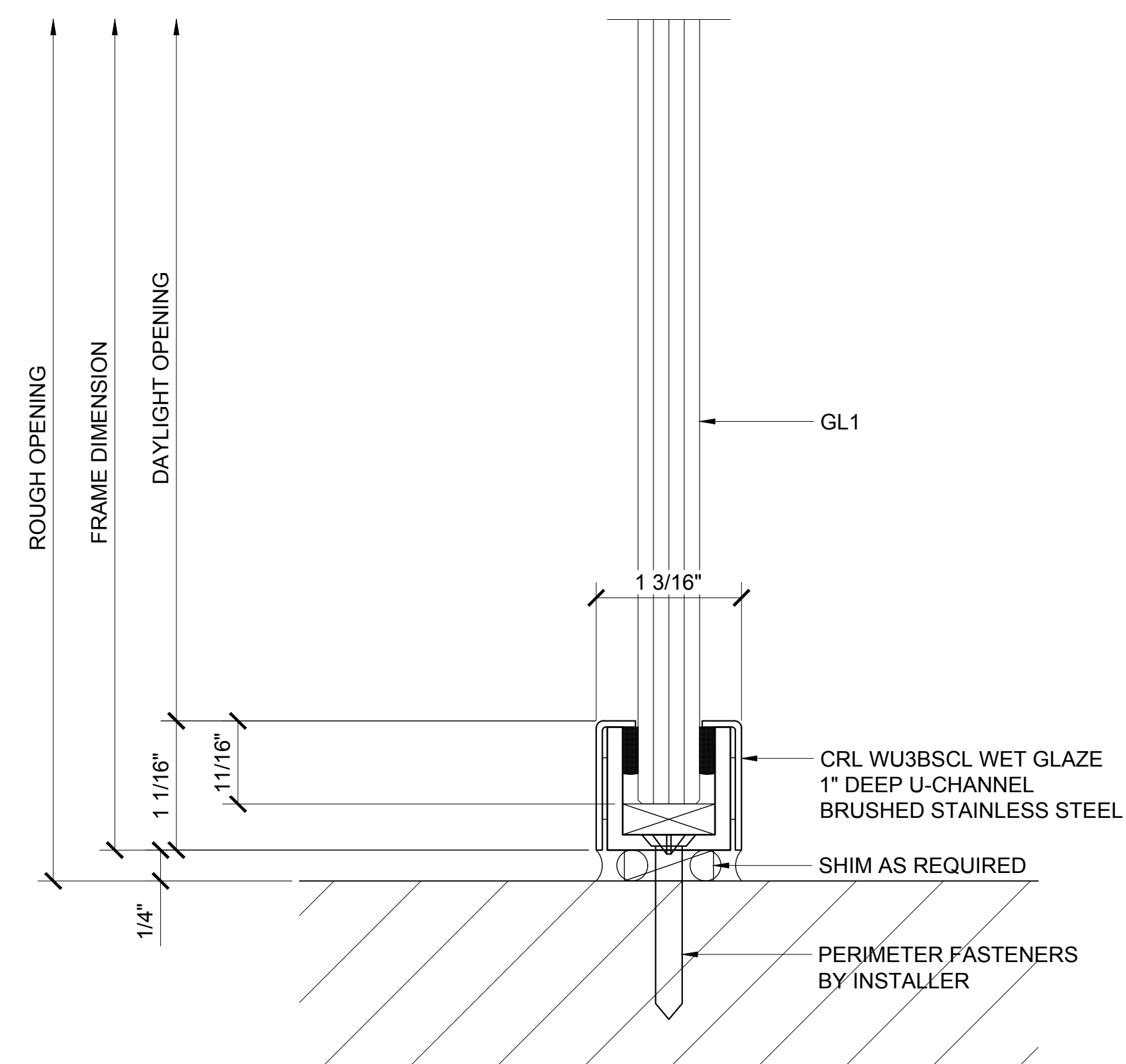
③ DOOR SILL DETAIL

ARCH REF: 1'-0"=1'-0"



④ SIDELITE HEAD DETAIL

ARCH REF: 1'-0"=1'-0"



⑤ SIDELITE SILL DETAIL

ARCH REF: 1'-0"=1'-0"

Revisions By:

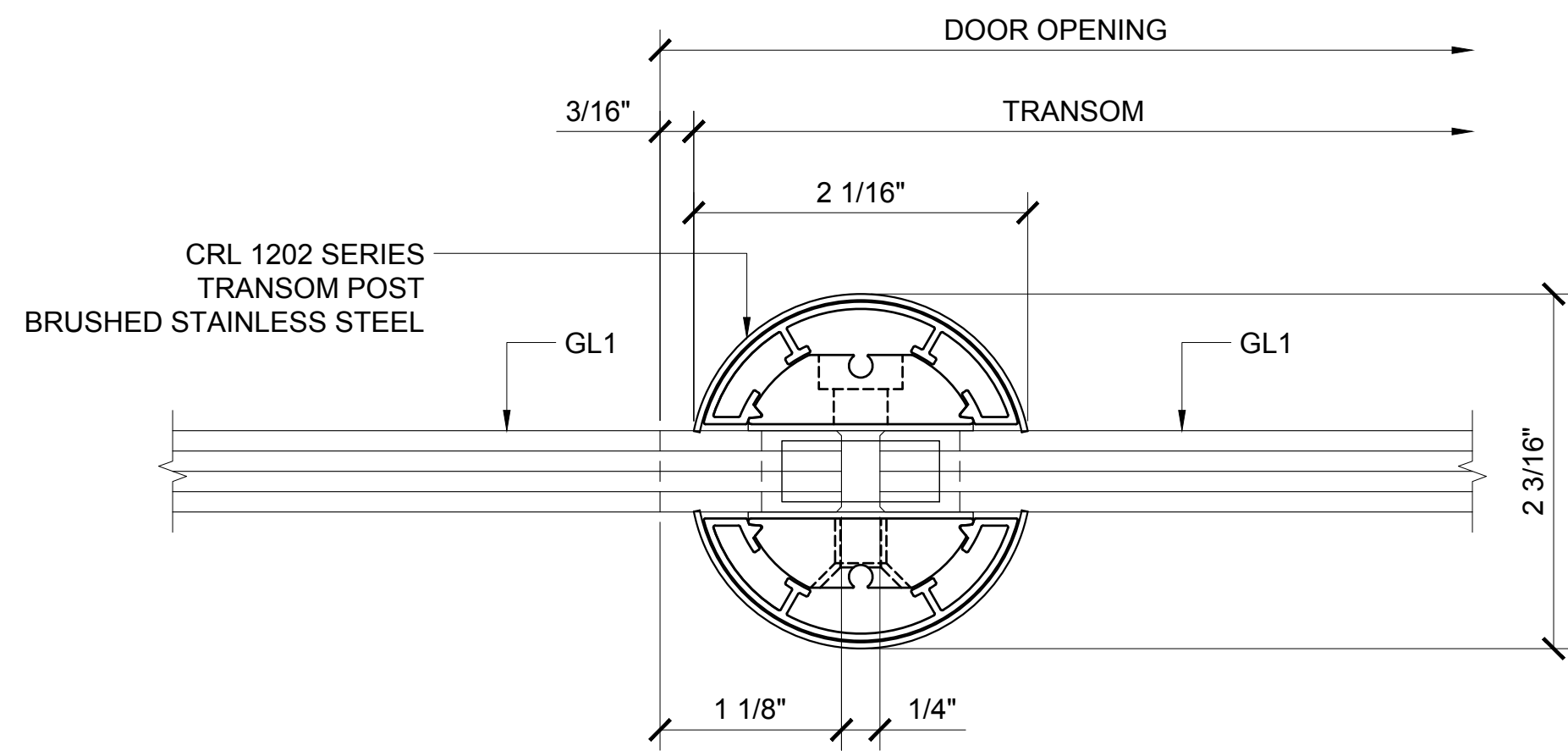


Description:
1202 SERIES SWINGING
SINGLE GLASS DOORS
W/ TRANSOM & W/ SIDELITES
ON TWO SIDES

Drawn By: AAD
Date: 10/14/16
Scale: AS NOTED
File Name: S-1202 Series Swinging
Single Glass Doors - W Transom &
W Sidelites.dwg

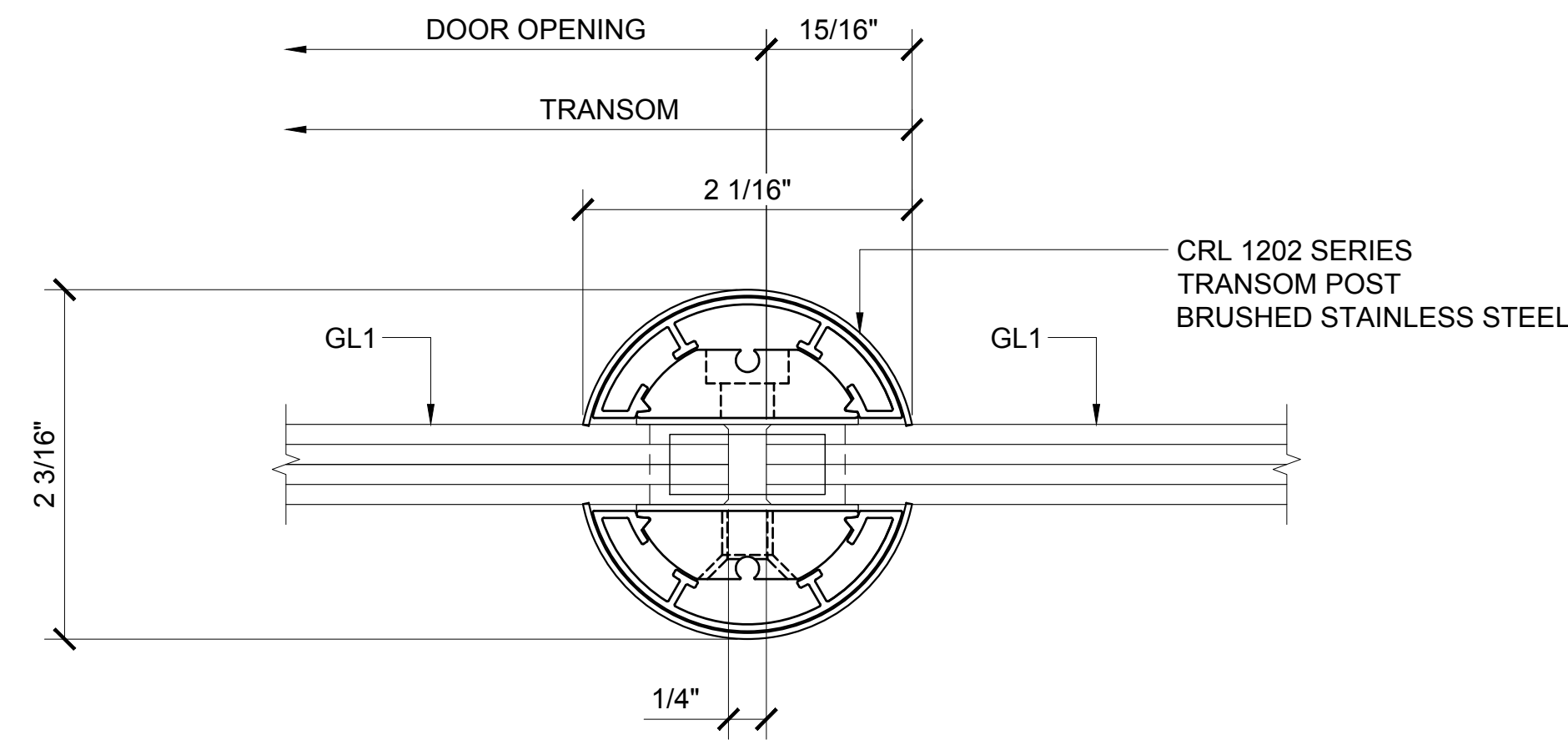
Sheet

Revisions By:



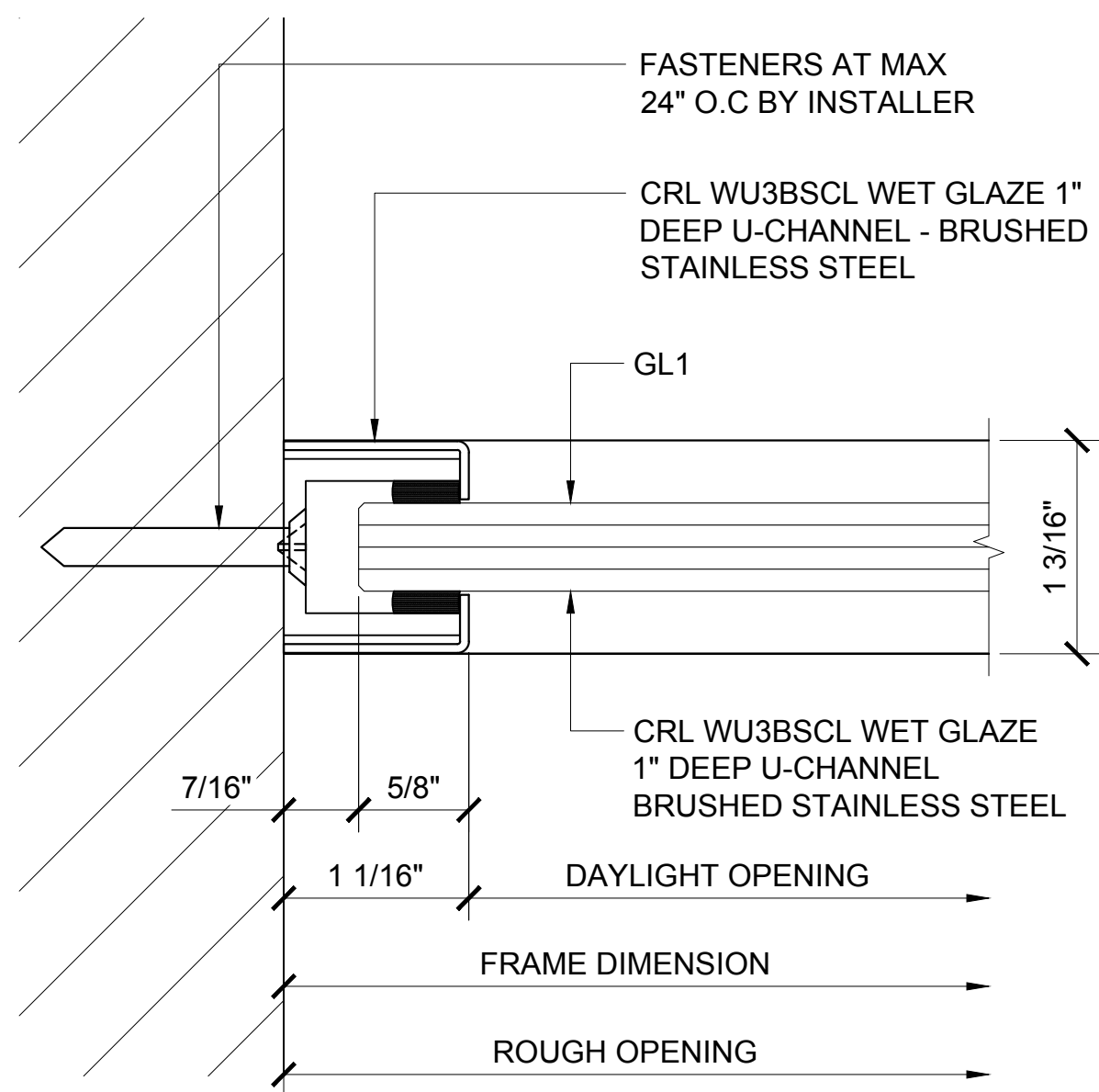
⑤ TRANSOM POST SECTION DETAIL

ARCH REF: 1'-0\"=1'-0\"



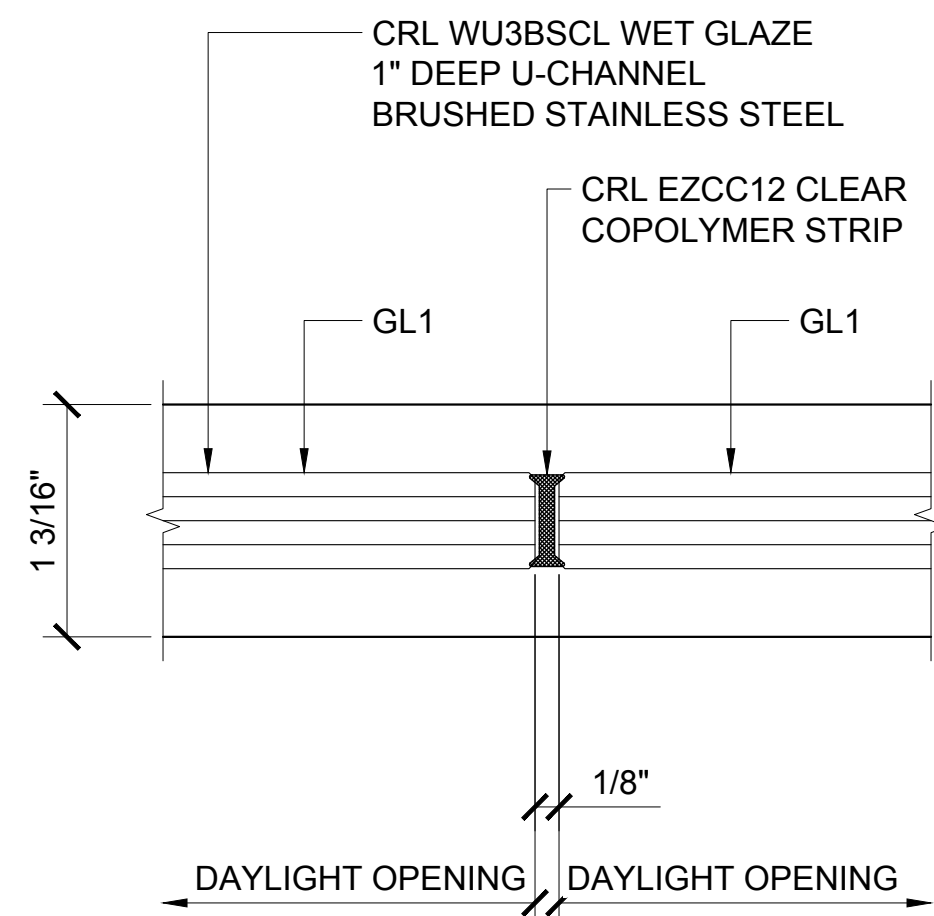
⑥ TRANSOM POST SECTION DETAIL

ARCH REF: 1'-0\"=1'-0\"



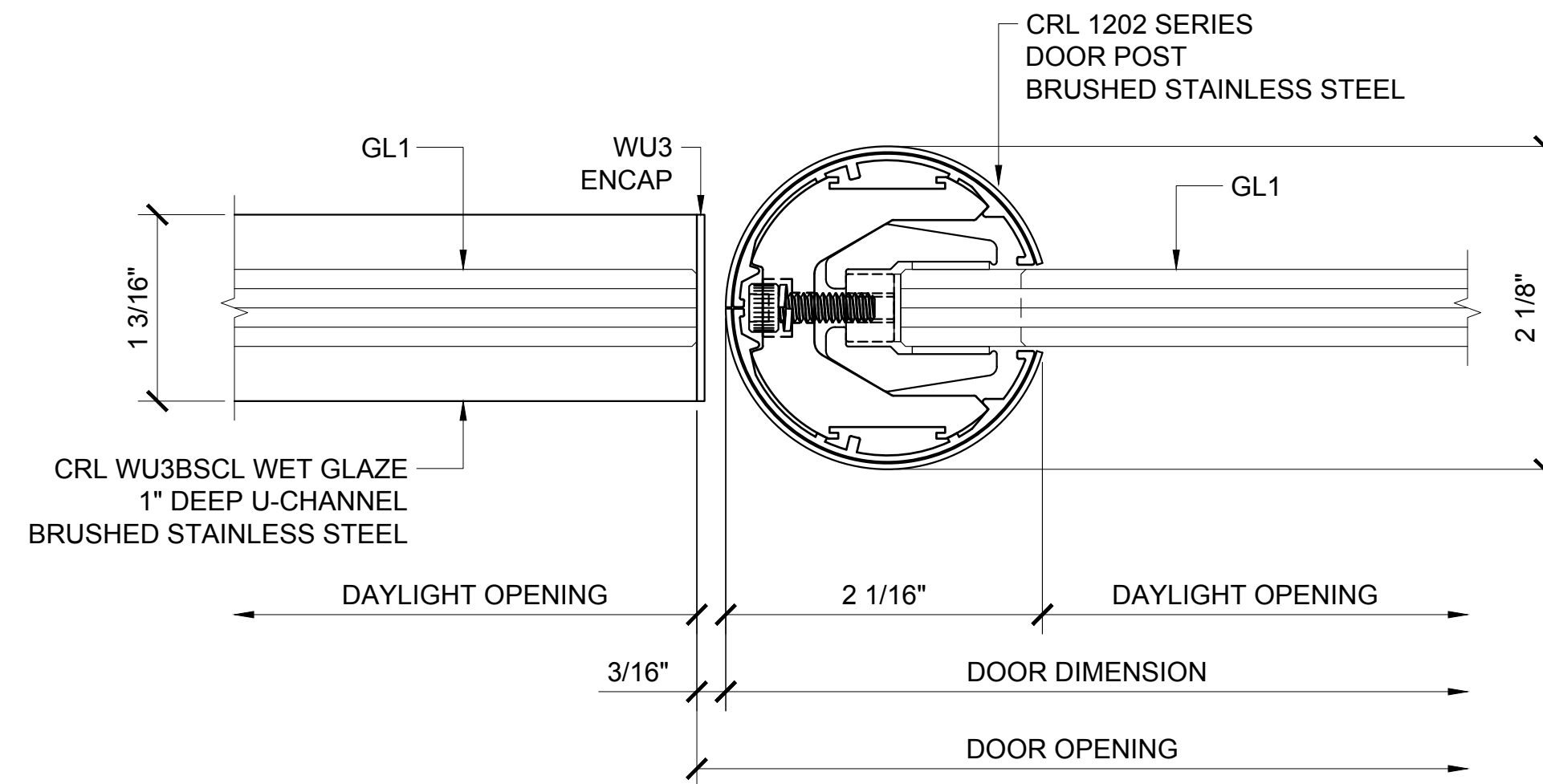
① WALL JAMB DETAIL

ARCH REF: 1'-0\"=1'-0\"



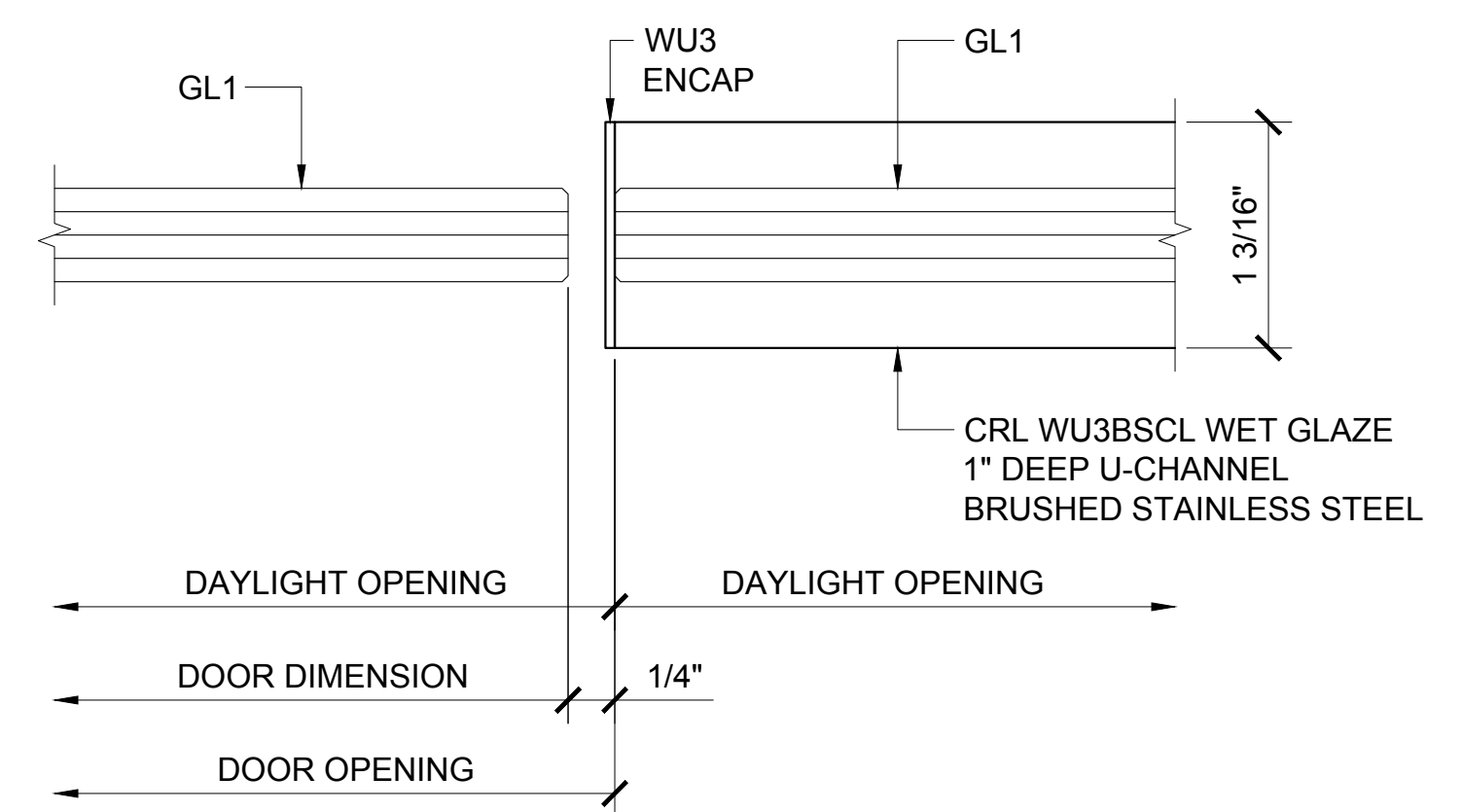
② GLASS JOINT

ARCH REF: 1'-0\"=1'-0\"



③ DOOR PIVOT POST SECTION DETAIL

ARCH REF: 1'-0\"=1'-0\"



④ DOOR JAMB AT SIDELITE

ARCH REF: 1'-0\"=1'-0\"

Description:
1202 SERIES SWINGING
SINGLE GLASS DOORS
W/ TRANSOM & W/ SIDELITES
ON TWO SIDES

Drawn By: AAD

Date: 10/14/16

Scale: AS NOTED

File Name: 5-1202 Series Swinging
Single Glass Doors - W Transom &
W Sidelites.dwg

Sheet