

PRIMA
Wall Mount Hinge
CAT. NO. PPH03

***NOTE:** Do not exceed either maximum weight or width when choosing proper quantity of hinges.

Important Information:

Template Options: The Prima Wall Mount PPH03 Hinge offers two template options, depending upon the capabilities of the temperer (see lower left of this page). The Preferred Method allows a full vertical seal along the hinge side, the Alternate Method leaves a short leg of glass, thus not allowing a full length vertical seal.

Vertical Clearances: Optional 5° Pivot Pins (Cat. No. P1VP1N) are sold as a set, one pin for the top hinge and one pin for the bottom hinge. These 5° offset Pivot Pins allow the installer to adjust the closing position of the door 5° inwards or outwards.

Specifications:

Glass Sizes: 5/16" (8mm) to 3/8" (10mm) thick tempered safety glass
 Construction: Solid brass
 Closing Type: Self-centering when within 15° of closed position
 Cutout Required
 Includes: Gaskets, screws and template

Maximum Door Capacities for Two Hinges

Maximum Door Weight: 100 lbs.(46 kg)
 Maximum Door Width: 31"(787mm)

Use of Gaskets:

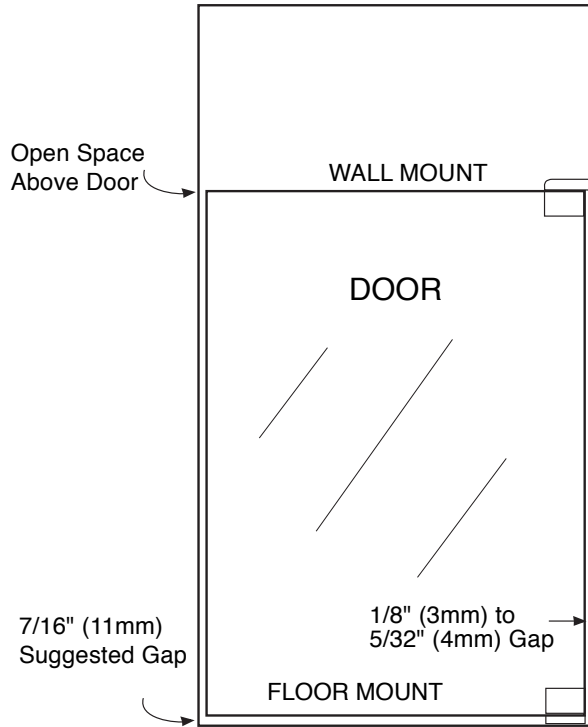
For 5/16"(8mm) Glass: Use one thick gasket and one thin gasket on each side
 For 3/8"(10mm) Glass: Use one thick gasket on each side

Recommendations:

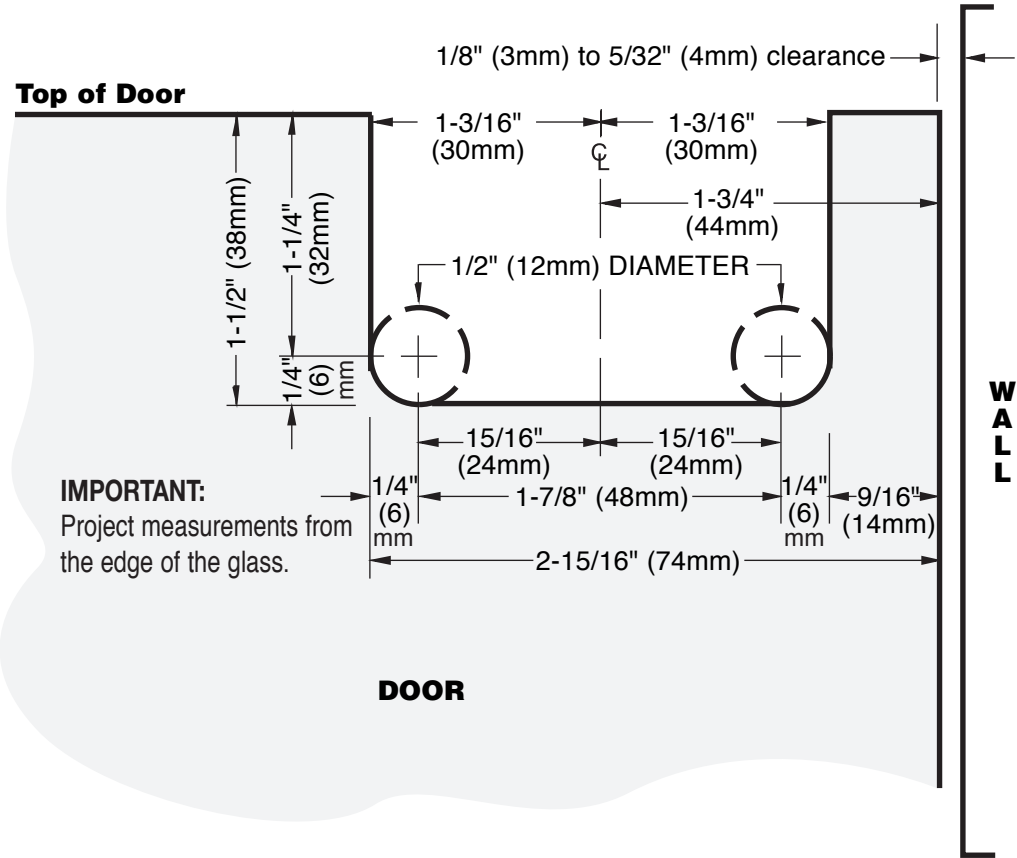
For public safety, we recommend the use of only tempered safety glass. Do not use power tools when installing these hinges.

Maintenance Guidelines:

- Never use an abrasive cleaner on the hardware. Many of the components are coated with a clear lacquer that will be irreparably damaged if subjected to harsh, abrasive chemicals. Advise your customer that drying the hardware with a clean, soft towel on a daily basis is the best way to maintain the hardware. If mineral deposits build-up, mix a couple of drops of a mild liquid soap (such as Ivory or a similar product) into a cup of warm water. Using a soft, non-abrasive cloth, clean the hardware. Rinse thoroughly with clean, warm water and dry.



 ALWAYS USE DIMENSIONS TO ENSURE ACCURACY

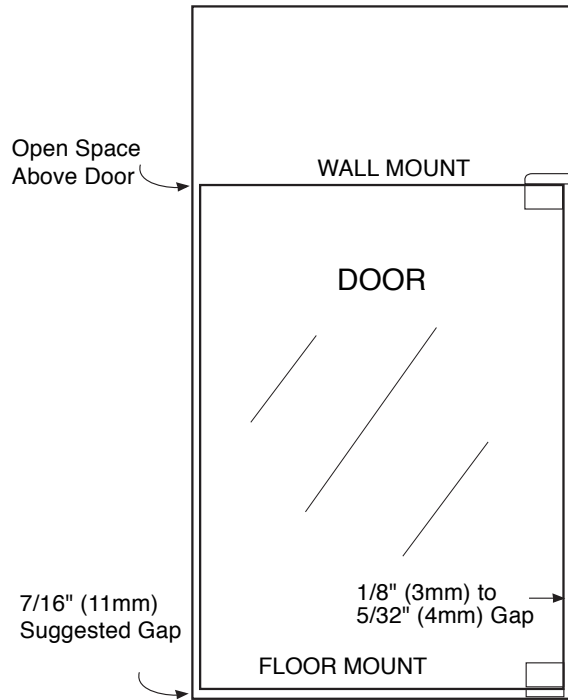


PRIMA

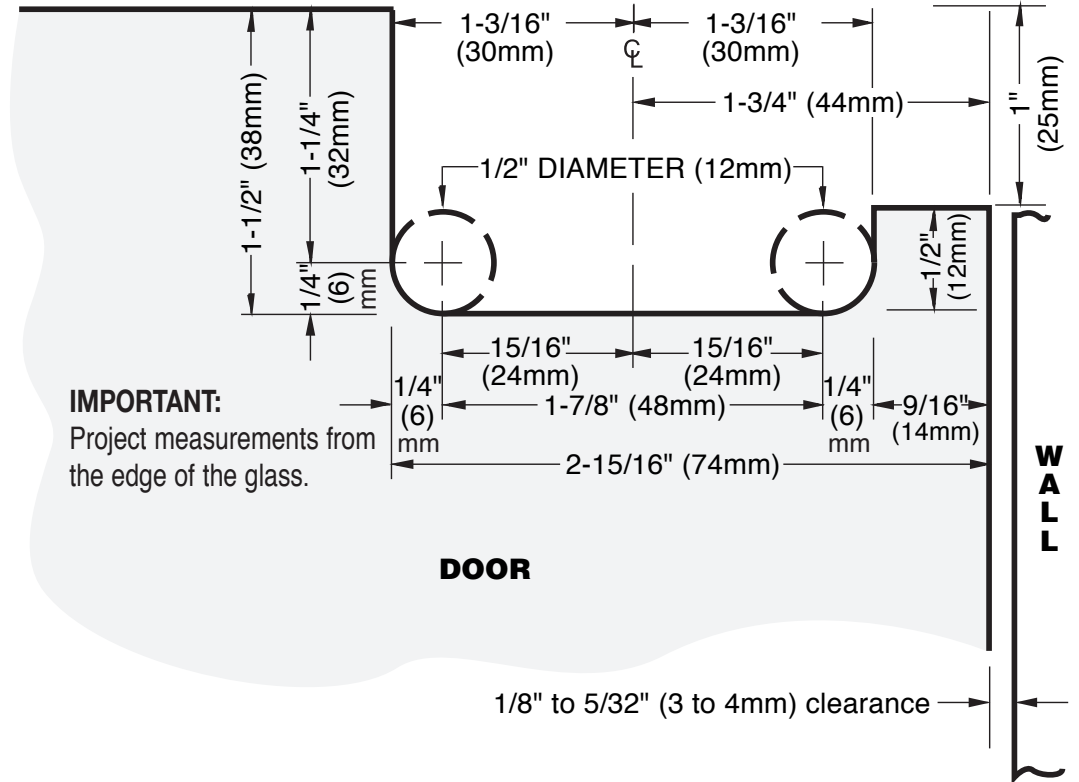
Wall Mount Hinge

CAT. NO. PPH03

Wall Mount Preferred Method (Even with top of door)



Top of Door



ALWAYS USE DIMENSIONS TO ENSURE ACCURACY

PRIMA

Wall Mount Hinge

CAT. NO. PPH03

Wall Mount Alternate Method (Even with top of door)