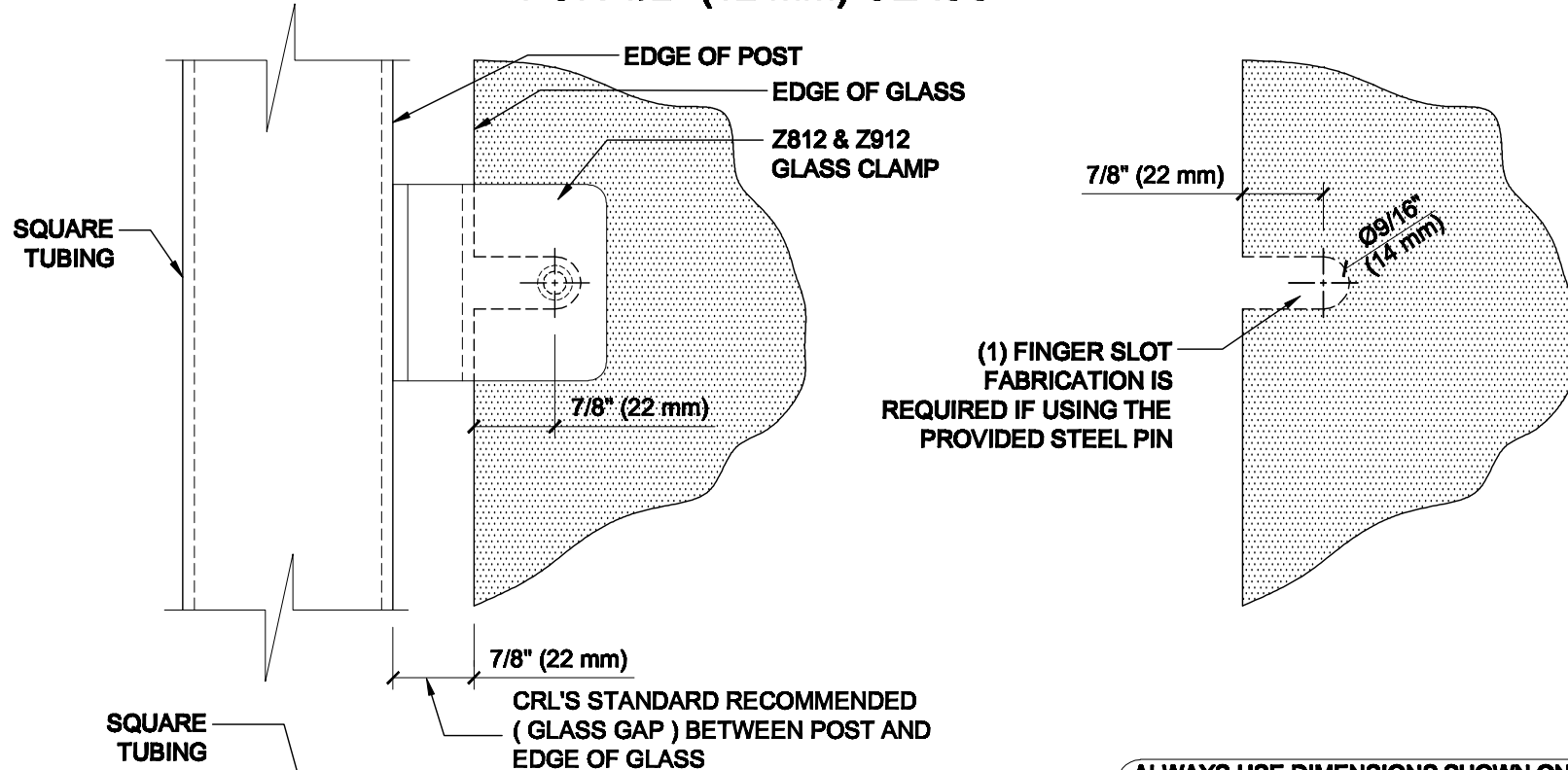


GLASS FABRICATION TEMPLATE FOR THE Z-SERIES SQUARE TYPE FLAT BASE CLAMPS FOR 1/2" (12 mm) GLASS

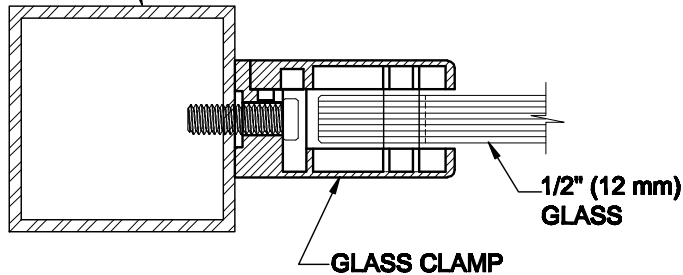


(1) FINGER SLOT
FABRICATION IS
REQUIRED IF USING THE
PROVIDED STEEL PIN

ALWAYS USE DIMENSIONS SHOWN ON THE PLAN.
DO NOT SCALE OR DIMENSION ACTUAL DRAWING
TO ENSURE ACCURACY

GLASS FABRICATION
TEMPLATE USED FOR:

CATALOG NUMBER
Z812BR
Z812CH
Z812SC
Z812BN
Z812GP
Z812W
Z912BS
Z912PS



SPECIFICATIONS:

- GLASS THICKNESS:** MODELS FOR 1/2" (12 mm) GLASS.
- BASE DESIGN:** FLAT BACK
- FOR USE WITH:** SQUARE TUBING OR OTHER FLAT SURFACES.
- MATERIAL:** CHOICE OF ZINC CONSTRUCTED OR STAINLESS STEEL. STAINLESS STEEL OR POWDER PAINTED ZINC CLAMPS ARE RECOMMENDED FOR MORE DURABILITY IN EXTERIOR APPLICATIONS.
- GLASS FABRICATION:** FOR 1/2" (12mm) THICK GLASS. USE 9/16" (14mm) FINGER SLOT REQUIRED IF USING PROVIDED STEEL PIN FOR GLASS SUPPORT

INCLUDES: RUBBER GASKETS AND STEEL PIN (FOR OPTIONAL USE) WITH GROMMET.



ARCHITECTURAL PRODUCTS
PH: 800-421-6144 FX: 800-262-3299
WWW.CRLAURENCE.COM

DESCRIPTION:
Z-SERIES SQUARE TYPE FLAT BASE GLASS CLAMP
FOR 1/2" (12 mm) THICK GLASS

CAT. NO: (SEE CHART)	DATE: 10/23/09
FILE NAME: Z812-Gls Fab REV	SCALE: N.T.S.
DRAWN BY: R.A.	CHECKED BY: C.H.
SHT 1 OF 1	