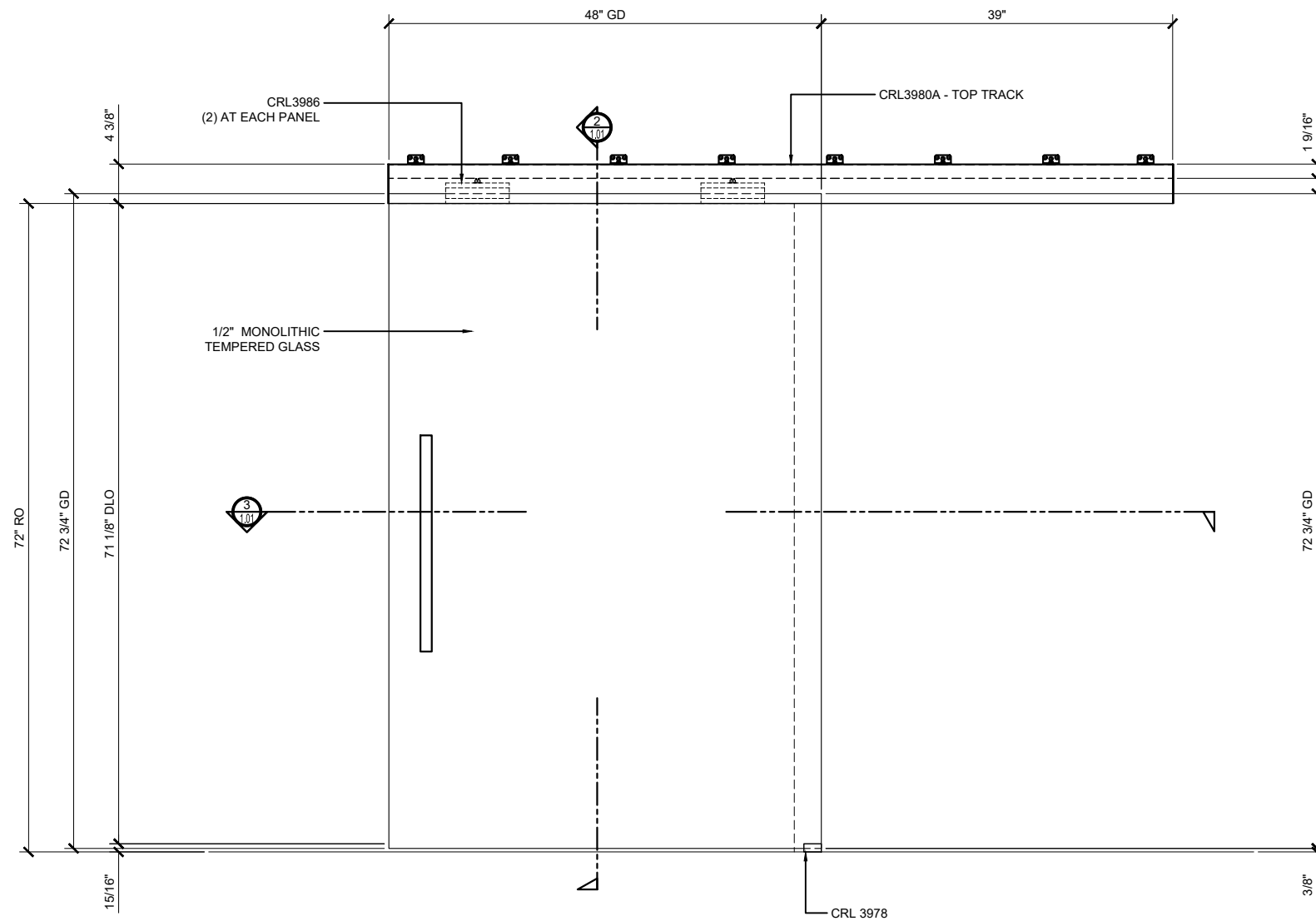
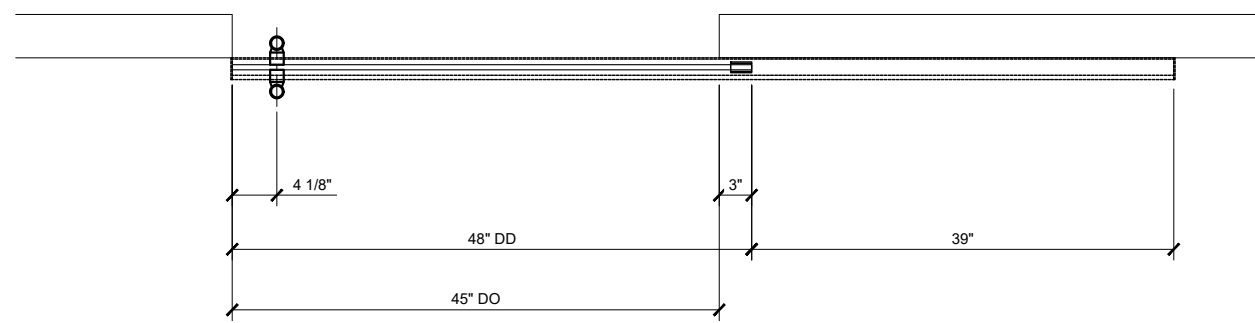


# CRL70 SERIES TOP HUNG SLIDING DOOR SYSTEM CRL70 WALL MOUNT



① CRL70 - ELEVATION  
1 1/2"=1'-0"



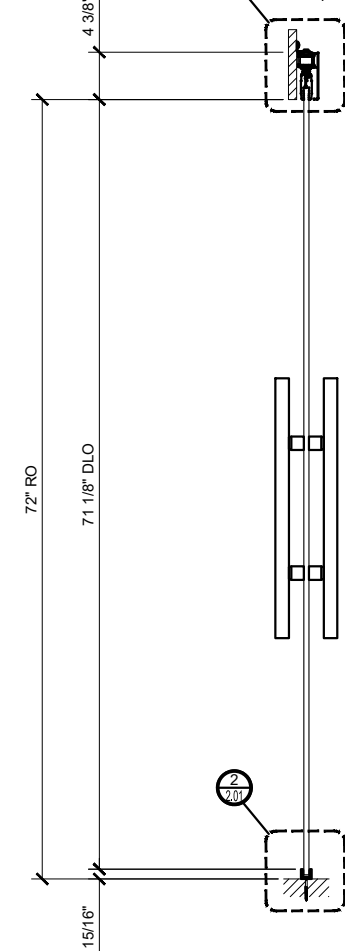
③ CRL70 - PLAN  
1 1/2"=1'-0"

\* CRL70 SERIES WALL MOUNT SLIDING DOOR KITS ARE AVAILABLE FOR 5/16" TO 1/2" (8 TO 12 MM) TEMPERED GLASS

\* CAN ACCOMMODATE DOORS WEIGHING UP TO 275 POUNDS (125 KG), MAXIMUM GLASS DOOR WIDTH OF 59" (1.50 M)

\* SATIN ANODIZED FINISH WITH AN OPTION FOR POWDER PAINT OR CLADDING IN ANY ARCHITECTURAL FINISH DESIRED

NOTE: CRL70 KITS ARE DESIGNED FOR USE WHERE THE TOP TRACK MOUNTS TO A STRUCTURAL WALL. KITS COME WITH ALL THE HARDWARE NEEDED TO COMPLETE THE INSTALLATION, EXCEPT THE GLASS AND DOOR PULL. FOR A DETAILED LIST OF THE COMPONENTS OF EACH KIT GO TO [crl70.com/sliding-glass-doors](http://crl70.com/sliding-glass-doors)



② CRL70 - SECTION  
1 1/2"=1'-0"

**STRUCTURAL DISCLAIMER:**  
ALL CUSTOMERS WHO IN ANY WAY UTILIZE THIS PRODUCT ARE SOLELY RESPONSIBLE TO CONSULT A STRUCTURAL ENGINEER TO DETERMINE THE SUITABILITY OF THE PRODUCT FOR THE INTENDED USE AND SITE CONDITIONS. ALL INSTALLERS MUST BE QUALIFIED AND HAVE PROFESSIONAL KNOWLEDGE ABOUT COMPLIANCE WITH LOCAL, STATE AND FEDERAL REGULATIONS, SAFETY FACTORS, AND THE APPROPRIATE CHOICE OF FIXING MATERIAL AND PROCEDURES.

STANDARD ABBREVIATIONS	
RO	ROUGH OPENING
FD	FRAME DIMENSION
DLO	DAYLIGHT OPENING
DO	DOOR OPENING
DD	DOOR DIMENSION
GD	GLASS DIMENSION
DP	DIMENSION POINT

Revisions By:

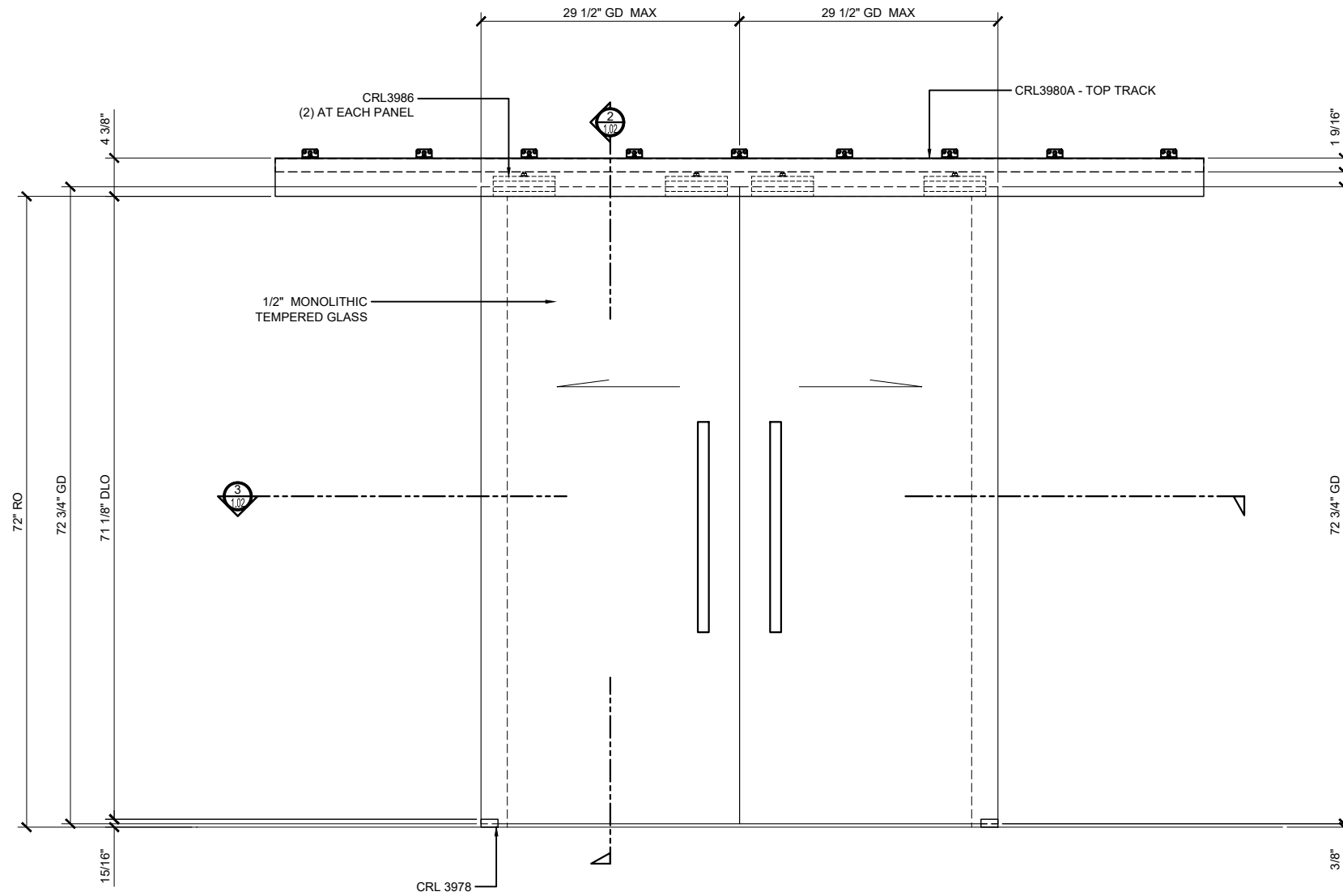
**CRL.**

2503 E. Vernon Avenue, Los Angeles, CA 90058-1897  
PH: (800)-421-6144 FAX: 800-587-7501 [www.crl70.com](http://www.crl70.com)

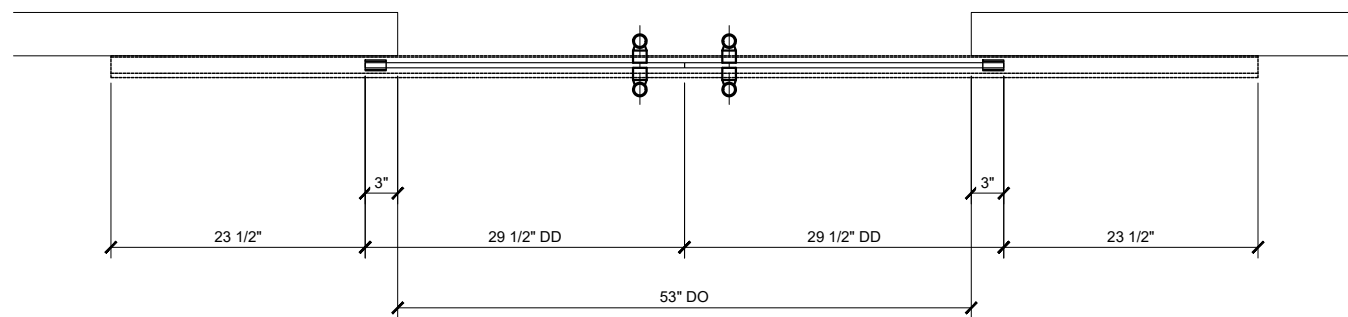
Description:  
CRL70 SERIES  
TOP HUNG SINGLE TRACK  
WALL MOUNT SLIDING DOOR  
FOR 5/16" AND 1/2" GLASS

Drawn By: TGM  
Date: 04/20/19  
Scale: AS NOTED  
File Name: CRL70\_Top\_Hung\_Slid\_Doors.dwg  
Sheet

# CRL70 SERIES TOP HUNG SLIDING DOOR SYSTEM CRL70S2 SERIES SYNCHRONIZED BI-PARTING SLIDING DOOR WALL MOUNT



① CRL70S2 - ELEVATION  
1 1/2"=1'-0"

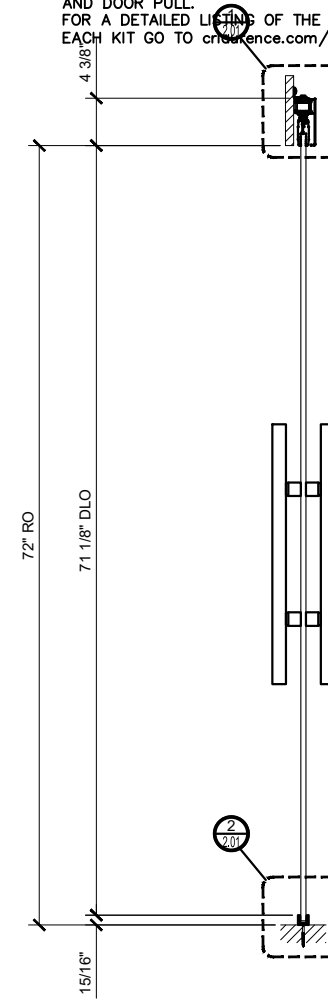


③ CRL70S2 - PLAN  
1 1/2"=1'-0"

\* CRL70S2 SERIES WALL MOUNT SLIDING DOOR KITS ARE AVAILABLE FOR 5/16" TO 1/2" (8 TO 12 MM) TEMPERED GLASS  
\* CAN ACCOMMODATE DOORS WEIGHING UP TO 275 POUNDS (125 KG), MAXIMUM GLASS DOOR WIDTH OF 29-1/2" (750 MM)

\* SATIN ANODIZED FINISH WITH AN OPTION FOR POWDER PAINT OR CLADDING IN ANY ARCHITECTURAL FINISH DESIRED

NOTE: CRL70S2 KITS ARE DESIGNED FOR USE WHERE THE TOP TRACK MOUNTS TO A STRUCTURAL WALL. KITS COME WITH ALL THE HARDWARE NEEDED TO COMPLETE THE INSTALLATION, EXCEPT THE GLASS AND DOOR PULL. FOR A DETAILED LISTING OF THE COMPONENTS OF EACH KIT GO TO [crl.com/resources/sliding-glass-doors](http://crl.com/resources/sliding-glass-doors)



② CRL70S2 - SECTION  
1 1/2"=1'-0"

STANDARD ABBREVIATIONS	
RO	ROUGH OPENING
FD	FRAME DIMENSION
DLO	DAYLIGHT OPENING
DO	DOOR OPENING
DD	DOOR DIMENSION
GD	GLASS DIMENSION
DP	DIMENSION POINT

Revisions By:

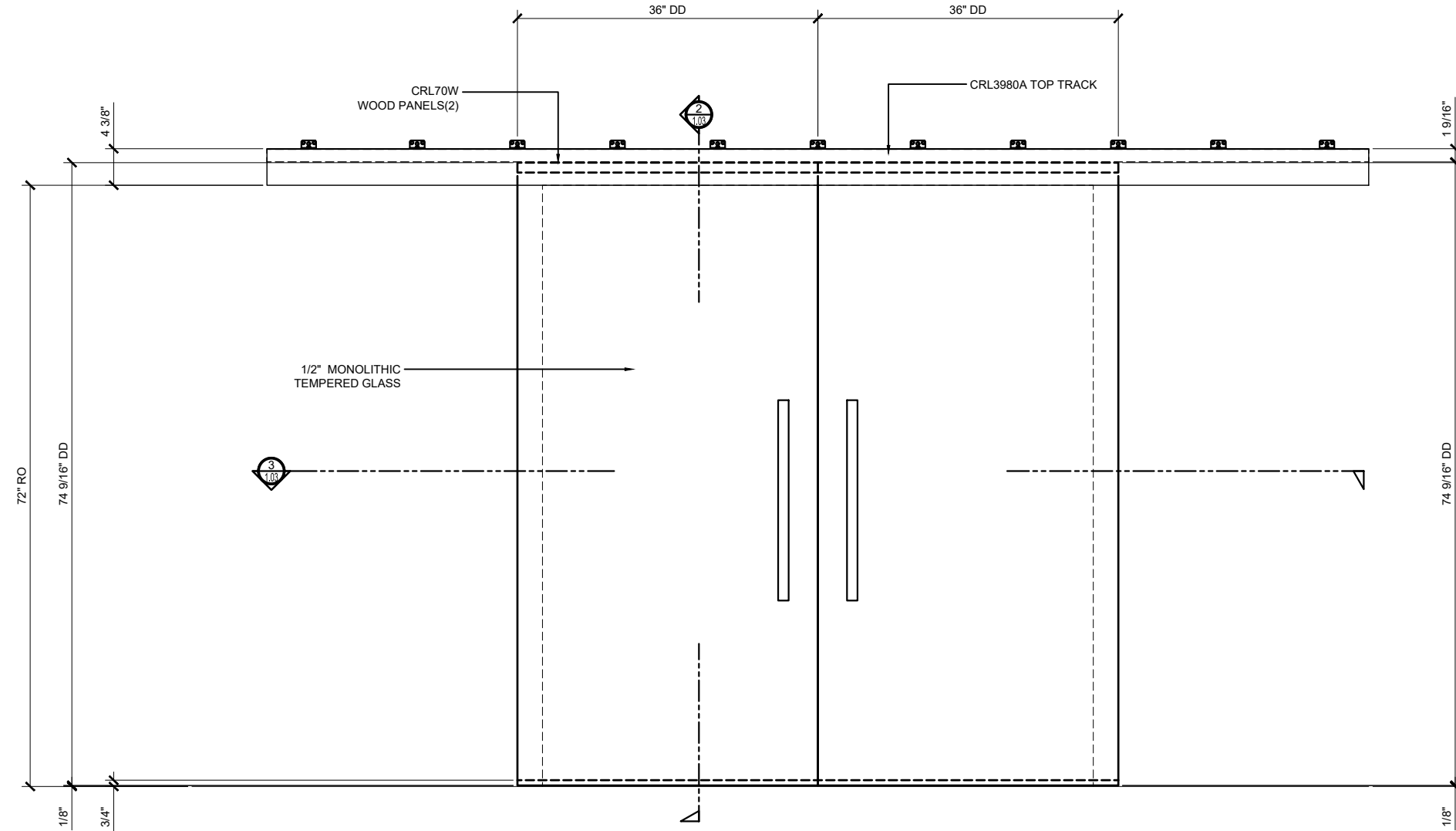
# CRL.

2503 E. Vernon Avenue, Los Angeles, CA 90058-1897  
PH: (800)-421-6144 FAX: 800-587-7501 www.crl.com

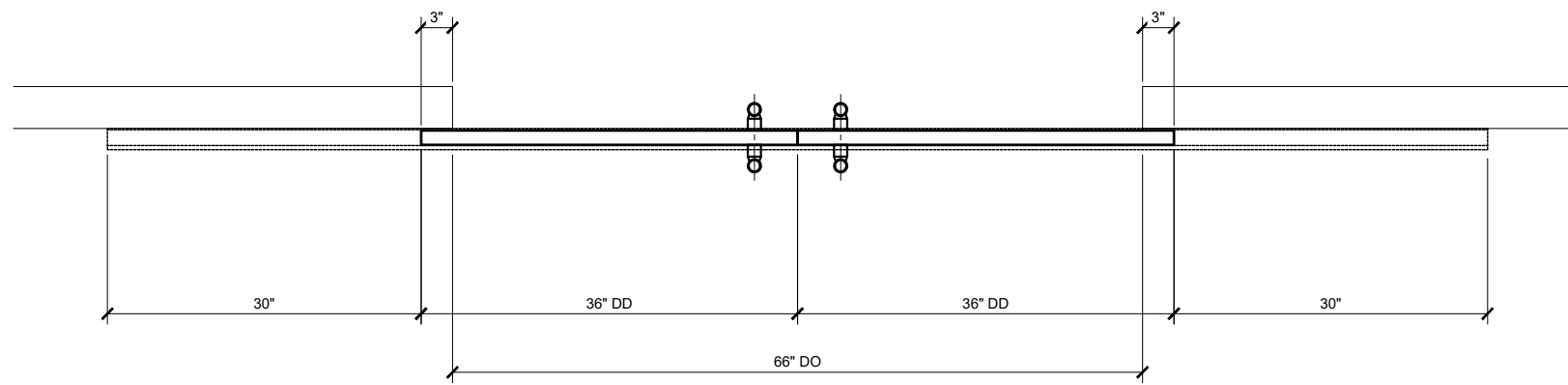
Description:  
CRL70 SERIES  
TOP HUNG SINGLE TRACK  
WALL MOUNT SLIDING DOOR  
FOR 5/16" AND 1/2" GLASS

Drawn By: TGM  
Date: 04/20/19  
Scale: AS NOTED  
File Name: CRL70\_Top\_Hung\_Slid\_Doors.dwg  
Sheet

# CRL70 SERIES TOP HUNG SLIDING WOOD DOOR SYSTEM CRL70W WALL MOUNT



① CRL70W - ELEVATION  
1 1/2"=1'-0"



③ CRL70W - PLAN  
1 1/2"=1'-0"

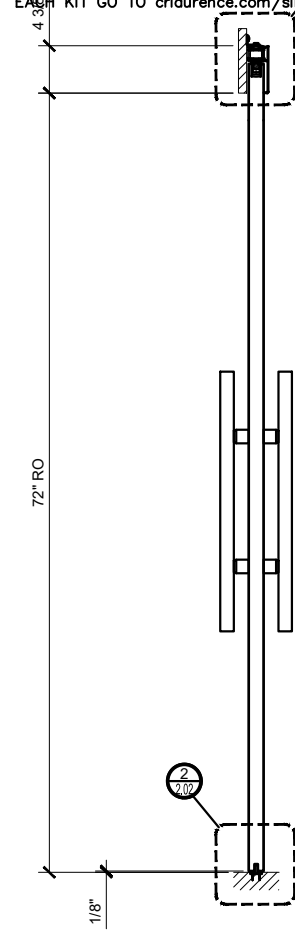
\* CRL70W SERIES WALL MOUNT SLIDING WOOD DOOR KITS ARE AVAILABLE FOR 5/16" TO 1/2" (8 TO 12 MM) TEMPERED GLASS

\* CAN ACCOMMODATE DOORS WEIGHING UP TO 275 POUNDS (125 KG), MAXIMUM GLASS DOOR WIDTH OF 59" (1.50 M)

\* TO HANGER IS MORTISED INTO WOOD DOOR

NOTE: CRL70W KITS ARE DESIGNED FOR USE WHERE THE TOP TRACK MOUNTS TO A STRUCTURAL WALL. KITS COME WITH ALL THE HARDWARE NEEDED TO COMPLETE THE INSTALLATION, EXCEPT THE GLASS AND DOOR PULL.

FOR A DETAILED LISTING OF THE COMPONENTS OF EACH KIT GO TO [crlaurence.com/sliding-glass-doors](http://crlaurence.com/sliding-glass-doors)



② CRL70W - SECTION  
1 1/2"=1'-0"

STANDARD ABBREVIATIONS	
RO	ROUGH OPENING
FD	FRAME DIMENSION
DLO	DAYLIGHT OPENING
DO	DOOR OPENING
DD	DOOR DIMENSION
GD	GLASS DIMENSION
DP	DIMENSION POINT

Revisions By:

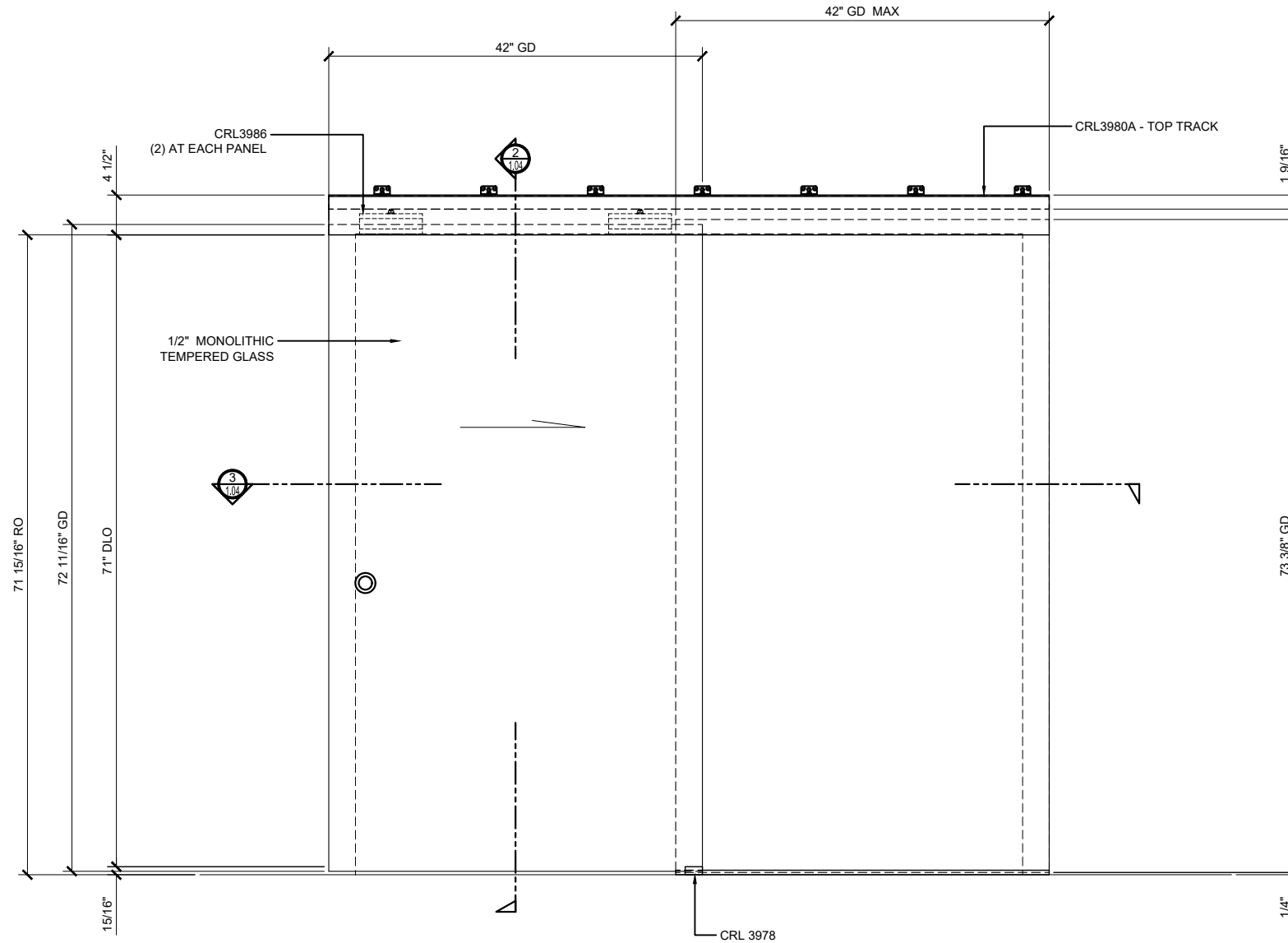
# CRL.

2503 E. Vernon Avenue, Los Angeles, C.A. 90008-1897  
PH: (800)-421-6144 FAX: 800-587-7501 [www.crlaurence.com](http://www.crlaurence.com)

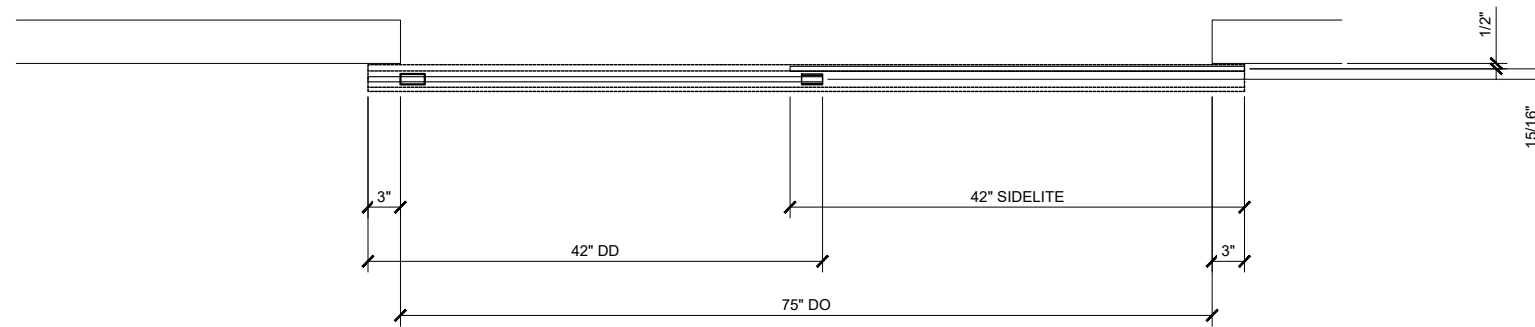
Description:  
CRL70 SERIES  
TOP HUNG SINGLE TRACK  
WALL MOUNT SLIDING DOOR  
FOR 5/16" AND 1/2" GLASS

Drawn By: TGM  
Date: 04/20/19  
Scale: AS NOTED  
File Name:  
CRL70\_Top\_Hung\_Slid\_Doors.dwg  
Sheet

# CRL70 SERIES TOP HUNG SLIDING DOOR SYSTEM CRL701 WALL MOUNT



① CRL701 - ELEVATION  
1 1/2"=1'-0"



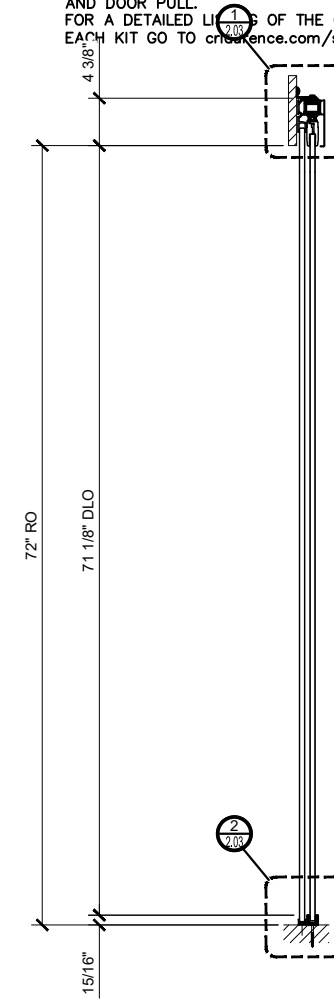
③ CRL701 - PLAN  
1 1/2"=1'-0"

\* CRL701 SERIES WALL MOUNT SLIDING DOOR KITS ARE AVAILABLE FOR 5/16" TO 1/2" (8 TO 12 MM) TEMPERED GLASS

\* CAN ACCOMMODATE DOORS WEIGHING UP TO 275 POUNDS (125 KG), MAXIMUM GLASS DOOR WIDTH OF 59" (1.50 M)

\* SATIN ANODIZED FINISH WITH AN OPTION FOR POWDER PAINT OR CLADDING IN ANY ARCHITECTURAL FINISH DESIRED

NOTE: CRL701 KITS ARE DESIGNED FOR USE WHERE THE TOP TRACK MOUNTS TO A STRUCTURAL WALL. KITS COME WITH ALL THE HARDWARE NEEDED TO COMPLETE THE INSTALLATION, EXCEPT THE GLASS AND DOOR PULL. FOR A DETAILED LIST OF THE COMPONENTS OF EACH KIT GO TO [crlreference.com/sliding-glass-doors](http://crlreference.com/sliding-glass-doors)



② CRL701 - SECTION  
1 1/2"=1'-0"

STANDARD ABBREVIATIONS	
RO	ROUGH OPENING
FD	FRAME DIMENSION
DLO	DAYLIGHT OPENING
DO	DOOR OPENING
DD	DOOR DIMENSION
GD	GLASS DIMENSION
DP	DIMENSION POINT

Revisions By:

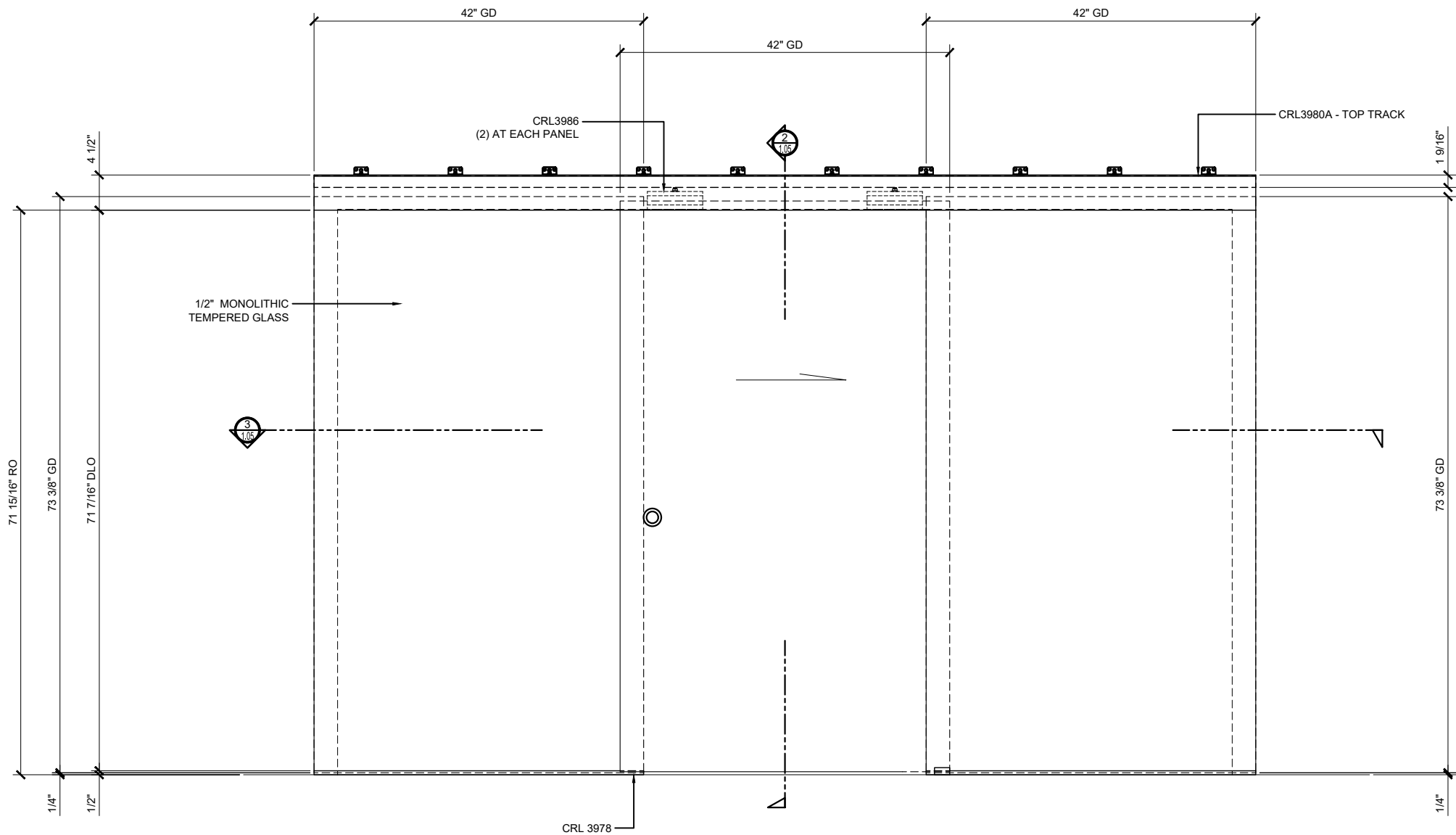
# CRL.

2503 E. Vernon Avenue, Los Angeles, C.A. 90058-1897  
PH: (800)-421-6144 FAX: 800-587-7501 www.crlreference.com

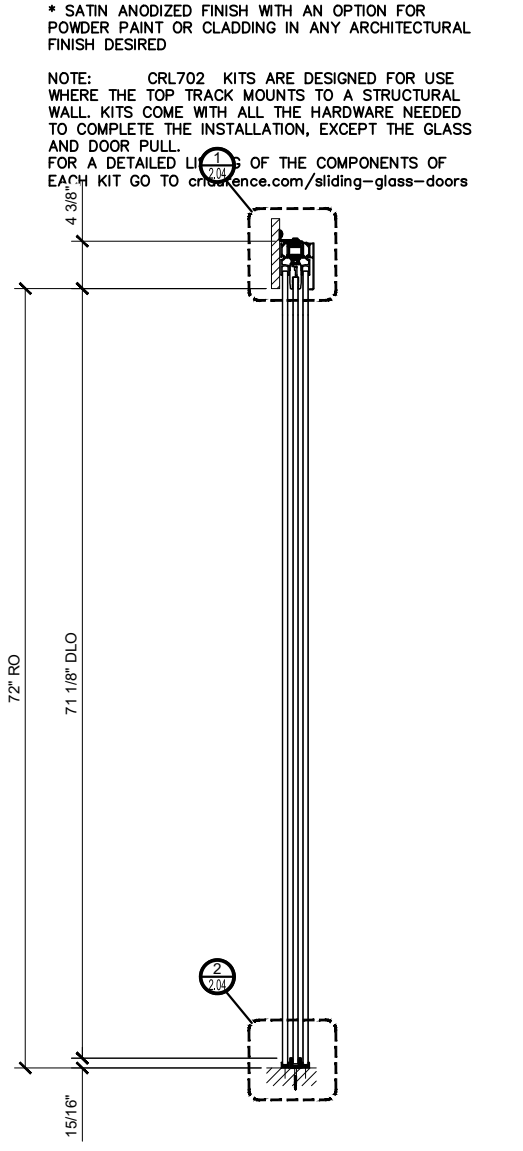
Description:  
CRL70 SERIES  
TOP HUNG SINGLE TRACK  
WALL MOUNT SLIDING DOOR  
FOR 5/16" AND 1/2" GLASS

Drawn By: TGM  
Date: 04/20/19  
Scale: AS NOTED  
File Name: CRL70\_Top\_Hung\_Slid\_Doors.dwg  
Sheet

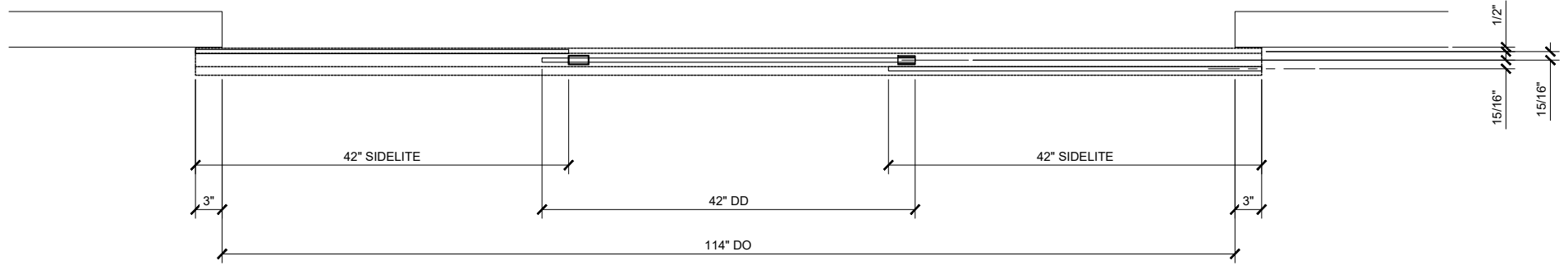
# CRL70 SERIES TOP HUNG SLIDING DOOR SYSTEM CRL702 WALL MOUNT



① CRL702 - ELEVATION  
1 1/2"=1'-0"



② CRL702 - SECTION  
1 1/2"=1'-0"



③ CRL702 - PLAN  
1 1/2"=1'-0"

\* CRL702 SERIES WALL MOUNT SLIDING DOOR KITS ARE AVAILABLE FOR 5/16" TO 1/2" (8 TO 12 MM) TEMPERED GLASS

\* CAN ACCOMMODATE DOORS WEIGHING UP TO 275 POUNDS (125 KG), MAXIMUM GLASS DOOR WIDTH OF 59" (1.50 M)

\* SATIN ANODIZED FINISH WITH AN OPTION FOR POWDER PAINT OR CLADDING IN ANY ARCHITECTURAL FINISH DESIRED

NOTE: CRL702 KITS ARE DESIGNED FOR USE WHERE THE TOP TRACK MOUNTS TO A STRUCTURAL WALL. KITS COME WITH ALL THE HARDWARE NEEDED TO COMPLETE THE INSTALLATION, EXCEPT THE GLASS AND DOOR PULL.

FOR A DETAILED LIST OF THE COMPONENTS OF EACH KIT GO TO [crl.com/resources/sliding-glass-doors](http://crl.com/resources/sliding-glass-doors)

STANDARD ABBREVIATIONS	
RO	ROUGH OPENING
FD	FRAME DIMENSION
DLO	DAYLIGHT OPENING
DO	DOOR OPENING
DD	DOOR DIMENSION
GD	GLASS DIMENSION
DP	DIMENSION POINT

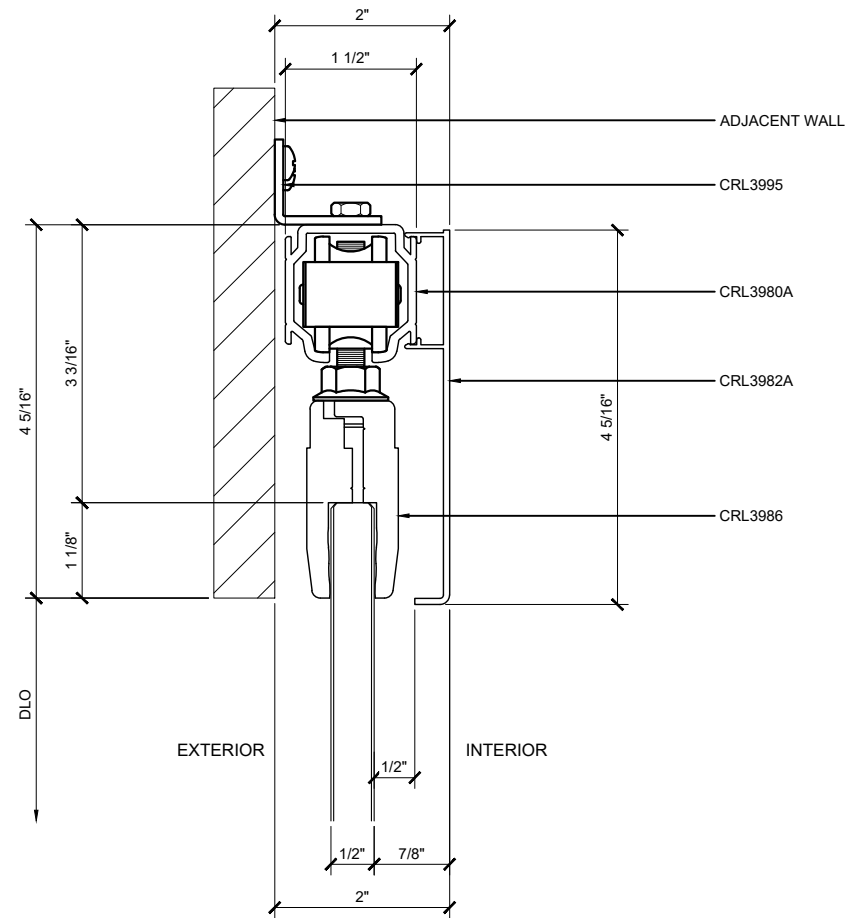
Revisions By:

# CRL.

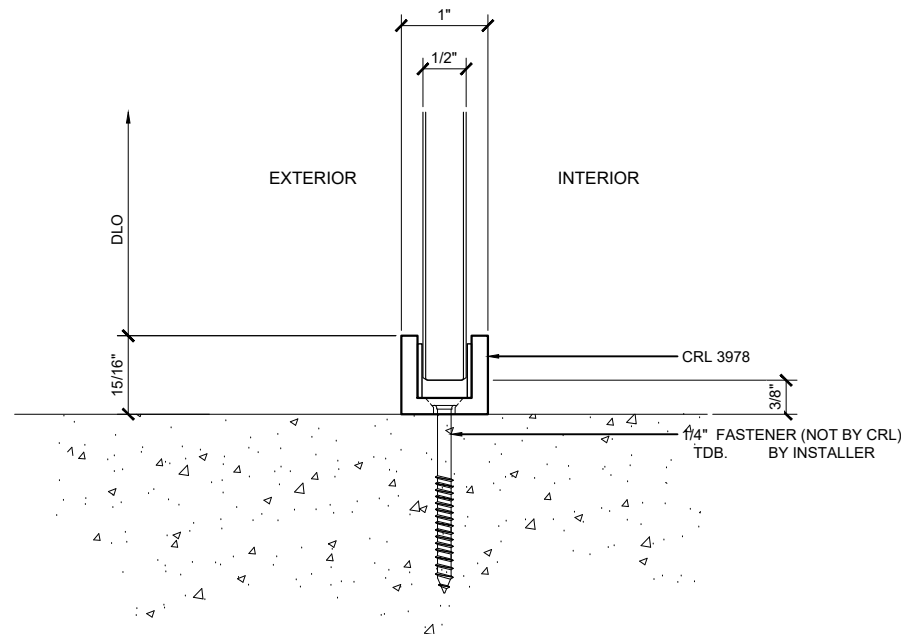
2503 E. Vernon Avenue, Los Angeles, CA 90058-1897  
PH: (800)-421-6144 FAX: 800-587-7501 [www.crl.com](http://www.crl.com)

Description:  
CRL70 SERIES  
TOP HUNG SINGLE TRACK  
WALL MOUNT SLIDING DOOR  
FOR 5/16" AND 1/2" GLASS

Drawn By: TGM  
Date: 04/20/19  
Scale: AS NOTED  
File Name: CRL70\_Top\_Hung\_Slid\_Doors.dwg  
Sheet



**① SLIDING DOOR CRL70 & CRL70S2 HEADER DETAIL**  
 ARCH REF: NONE 1'-0"=1'-0"



**② CRL70, CRL70S2 & CRL70CS2 - SECTION DETAIL AT SILL**  
 ARCH REF: NONE 1'-0"=1'-0"

**CRL70 SERIES WALL MOUNT SLIDING DOOR CRL70, CRL70S2 & CRL70CS2 DETAILS**

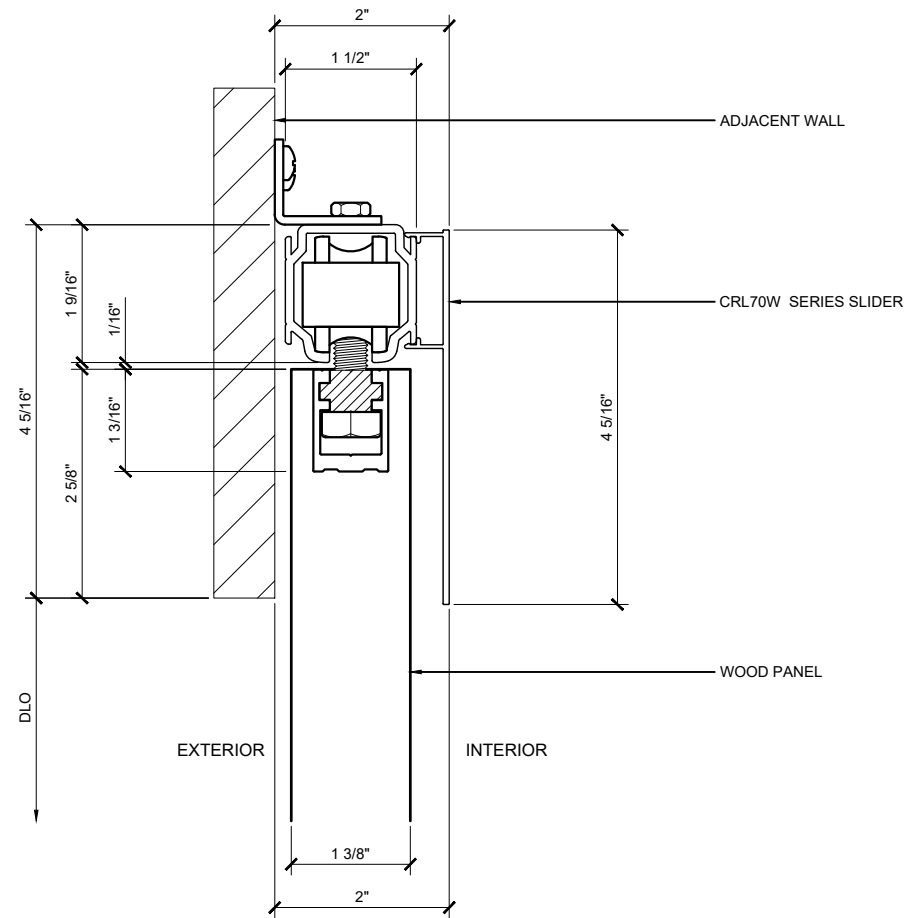
Revisions By:

**CRL.**

2503 E. Vernon Avenue, Los Angeles, CA 90058-1897  
 PH (800)-421-6144 FAX 800-587-7501 www.crlusa.com

Description:  
 CRL70 SERIES  
 TOP HUNG SINGLE TRACK  
 WALL MOUNT SLIDING DOOR  
 FOR 5/16" AND 1/2" GLASS

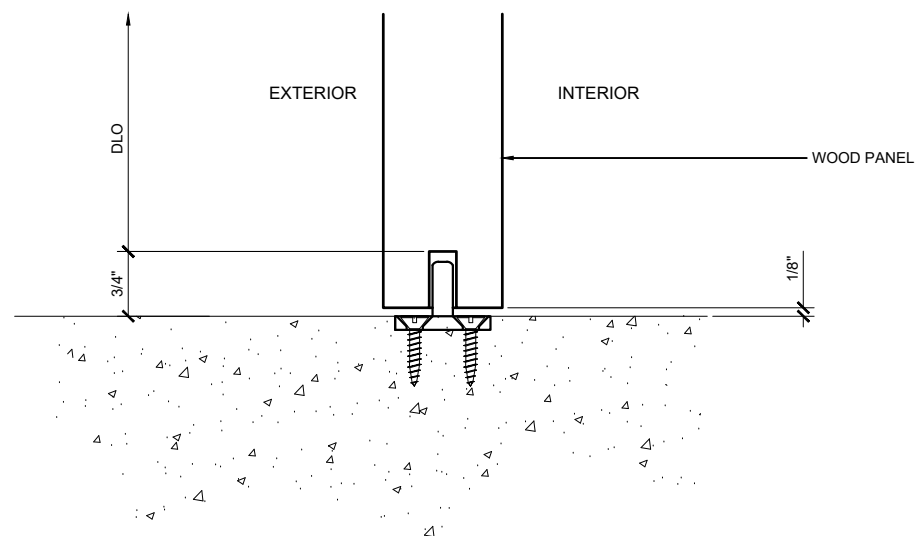
Drawn By: TGM  
 Date: 04/20/19  
 Scale: AS NOTED  
 File Name:  
 CRL70\_Top\_Hung\_Slid\_Doors.dwg  
 Sheet



① CRL70W - SECTION DETAIL AT HEAD

ARCH REF: NONE

1'-0"=1'-0"



② CRL70W - SECTION DETAIL AT SILL

ARCH REF: NONE

1'-0"=1'-0"

**CRL70 SERIES WALL MOUNT SLIDING DOOR CRL70W DETAILS**

Revisions By:

**CRL.**

2503 E. Vernon Avenue, Los Angeles, CA 90058-1897  
 PH: (800)-421-6144 FAX: 800-587-7501 www.crlusa.com

Description:  
 CRL70 SERIES  
 TOP HUNG SINGLE TRACK  
 WALL MOUNT SLIDING DOOR  
 FOR 5/16" AND 1/2" GLASS

Drawn By: TGM

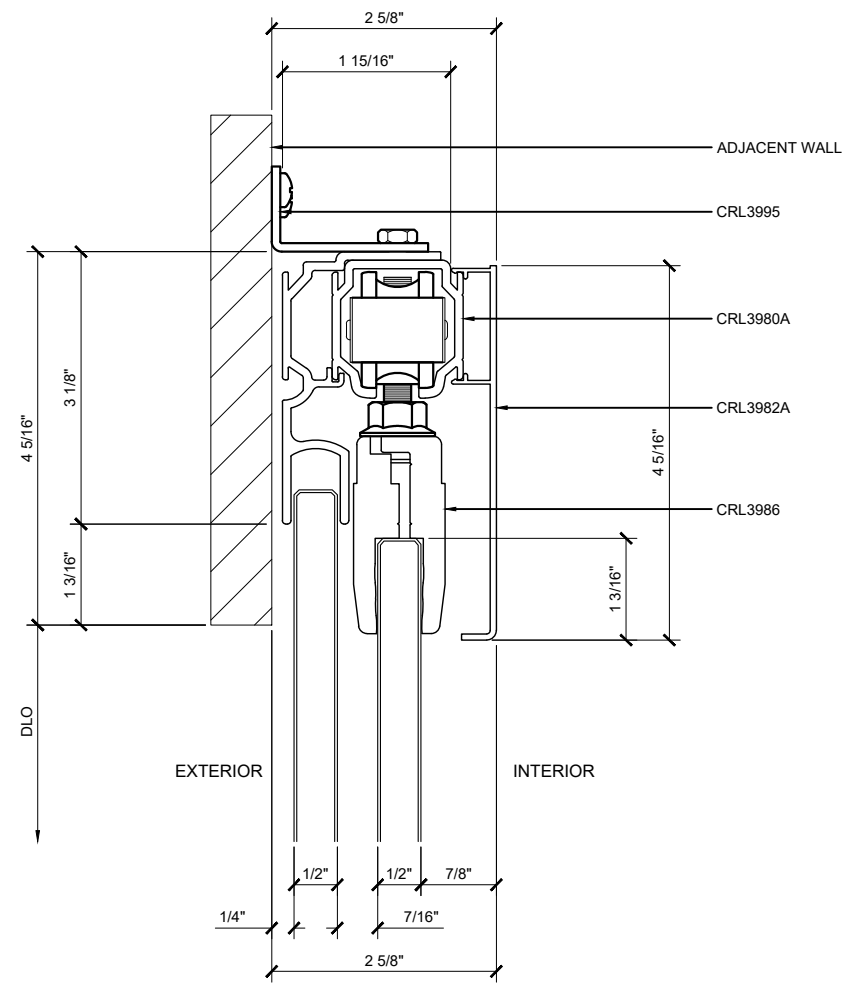
Date: 04/20/19

Scale: AS NOTED

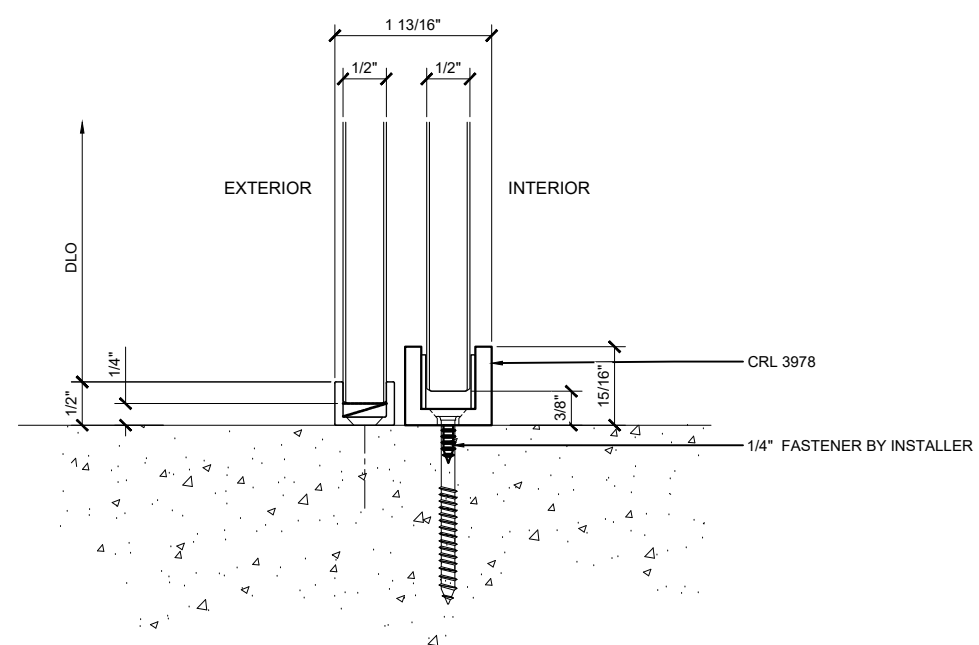
File Name:

CRL70\_Top\_Hung\_Slid\_Doors.dwg

Sheet



**① SLIDING DOOR CRL701 HEADER DETAIL**  
 ARCH REF: NONE 1'-0"=1'-0"



**② SLIDING DOOR CRL701 & CRL701C SECTION DETAIL AT SILL**  
 ARCH REF: NONE 1'-0"=1'-0"

**CRL70 SERIES WALL MOUNT SLIDING DOOR CRL701 AND CRL702 DETAILS**

Revisions By:

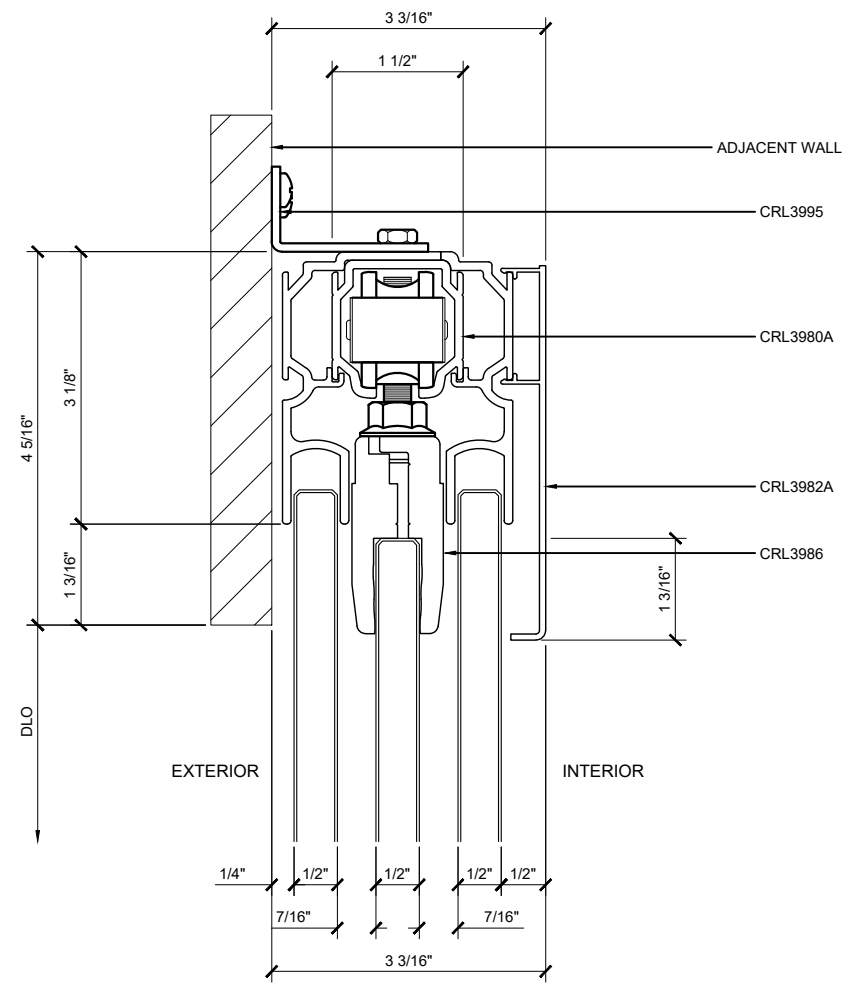
**CRL.**

2503 E. Vernon Avenue, Los Angeles, CA 90058-1897  
 PH (800)-421-6144 FAX 800-587-7501 www.crlusa.com

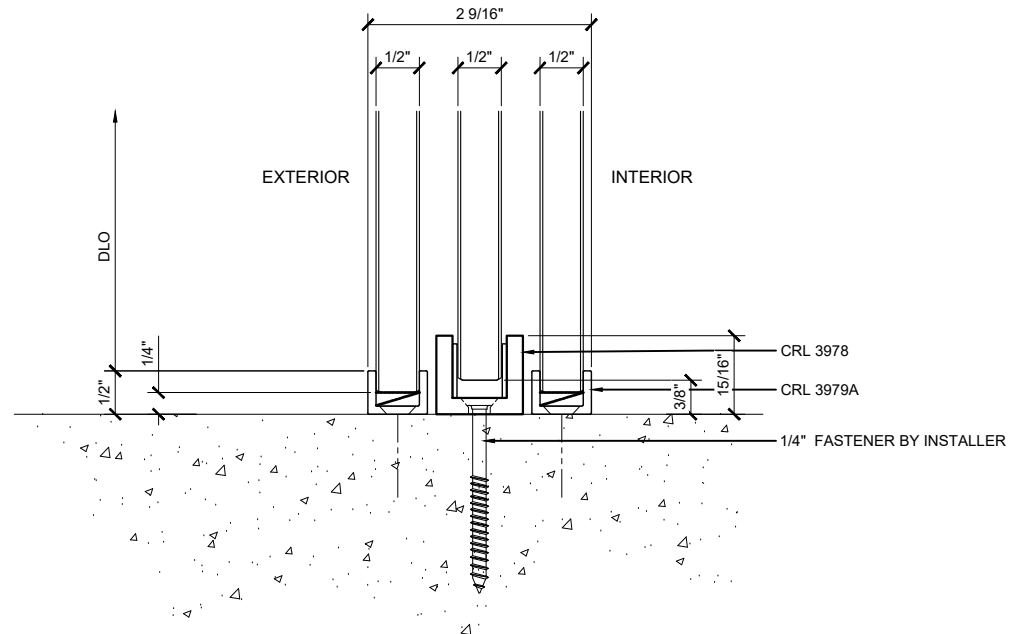
Description:  
 CRL70 SERIES  
 TOP HUNG SINGLE TRACK  
 WALL MOUNT SLIDING DOOR  
 FOR 5/16" AND 1/2" GLASS

Drawn By: TGM  
 Date: 04/20/19  
 Scale: AS NOTED  
 File Name:  
 CRL70\_Top\_Hung\_Slid\_Doors.dwg  
 Sheet





**① SLIDING DOOR CRL702 HEADER DETAIL**  
 ARCH REF: NONE 1'-0"=1'-0"



**② SLIDING DOOR CRL702 & CRL702C SECTION DETAIL AT SILL**  
 ARCH REF: NONE 1'-0"=1'-0"

**CRL70 SERIES WALL MOUNT SLIDING DOOR CRL701C AND CRL702C DETAILS**

Revisions By:



2503 E. Vernon Avenue, Los Angeles, CA 90058-1897  
 PH (800)-421-6144 FAX 800-587-7501 www.crlusa.com

Description:  
 CRL70 SERIES  
 TOP HUNG SINGLE TRACK  
 WALL MOUNT SLIDING DOOR  
 FOR 5/16" AND 1/2" GLASS

Drawn By: TGM  
 Date: 04/20/19  
 Scale: AS NOTED  
 File Name:  
 CRL70\_Top\_Hung\_Slid\_Doors.dwg  
 Sheet