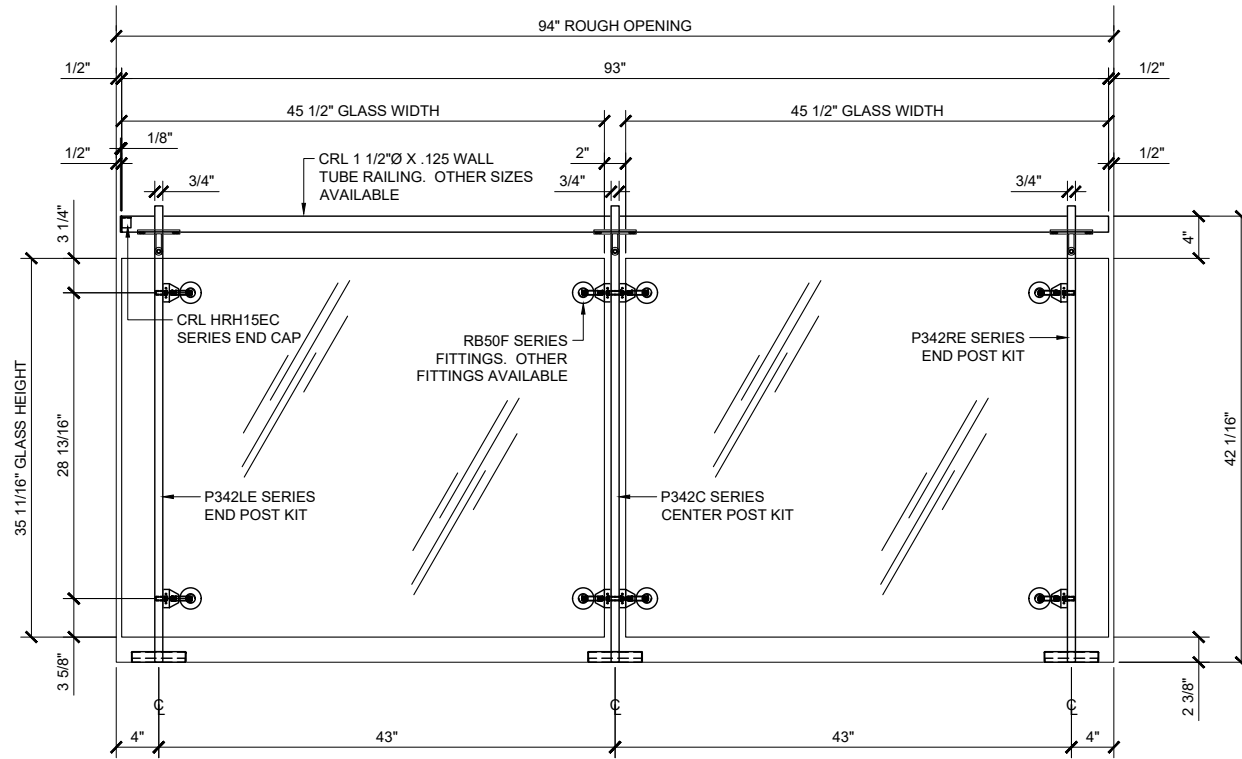


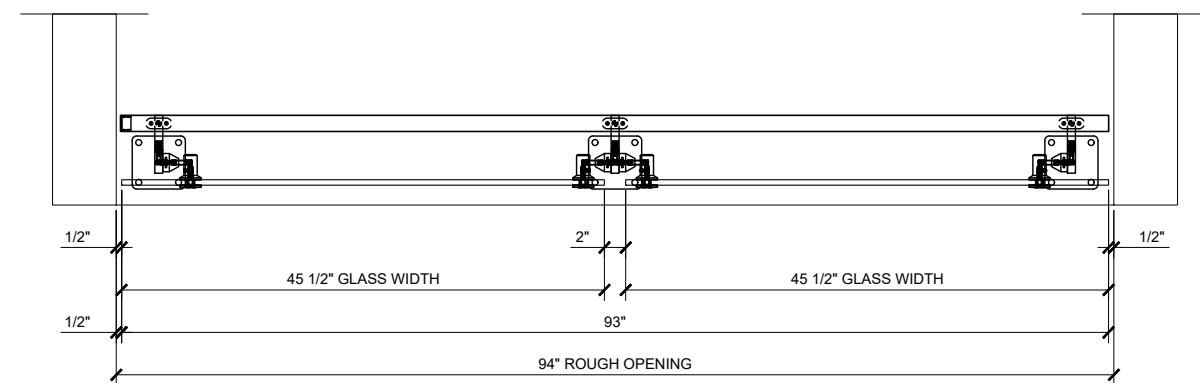
CRL P3 SERIES POST RAILING SYSTEM

- * DESIGNED TO ACCEPT 1/2" TO 27/32" TEMPERED GLASS
- * POST SUPPORTS A VARIETY BRACKET AND RAILING SYSTEMS
- * 36" AND 42" STANDARD POST HEIGHTS WITH CUSTOM HEIGHTS AVAILABLE
- * TWO STANDARD STAINLESS STEEL FINISHES WITH CUSTOM POWDER PAINT FINISHES ALSO AVAILABLE



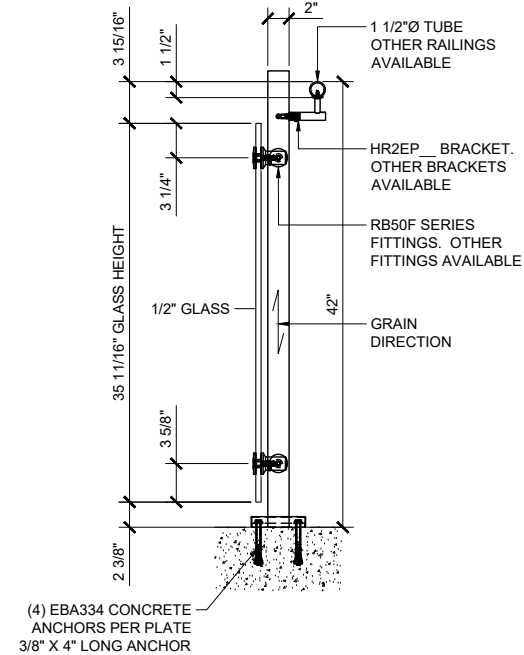
TYPICAL ELEVATION

SCALE: 1 1/2"=1'-0"



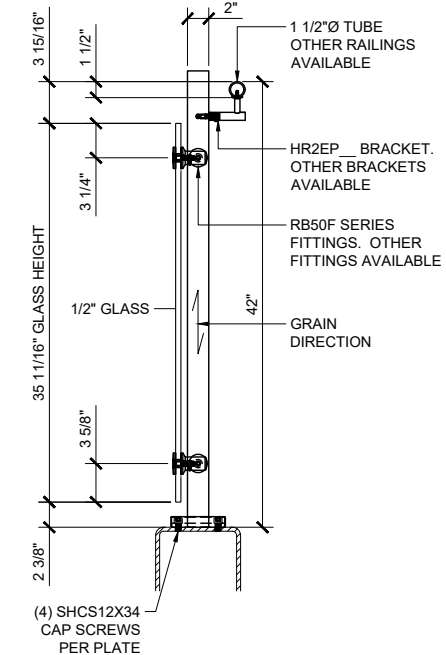
TYPICAL PLAN VIEW

SCALE: 1 1/2"=1'-0"



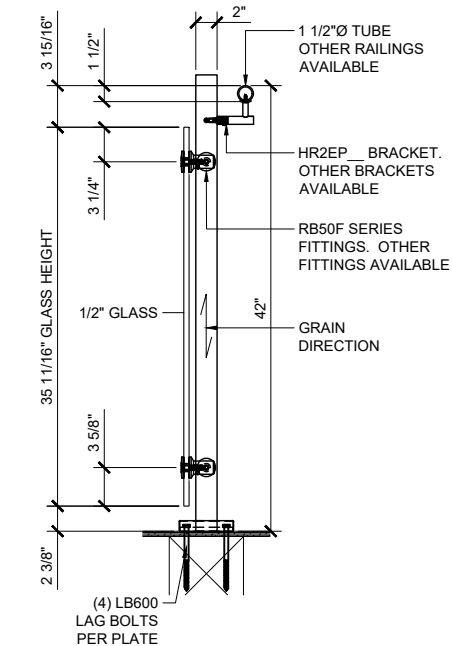
CONCRETE MOUNT

SCALE: 1 1/2"=1'-0"



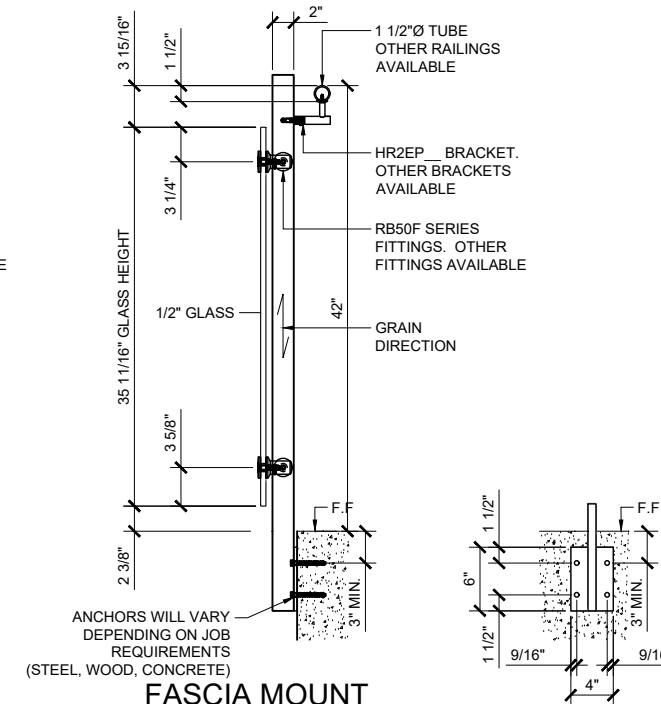
STEEL MOUNT

SCALE: 1 1/2"=1'-0"



WOOD MOUNT

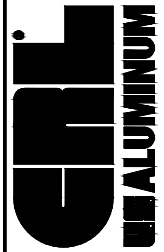
SCALE: 1 1/2"=1'-0"



FASCIA MOUNT

SCALE: 1 1/2"=1'-0"

Revisions By:



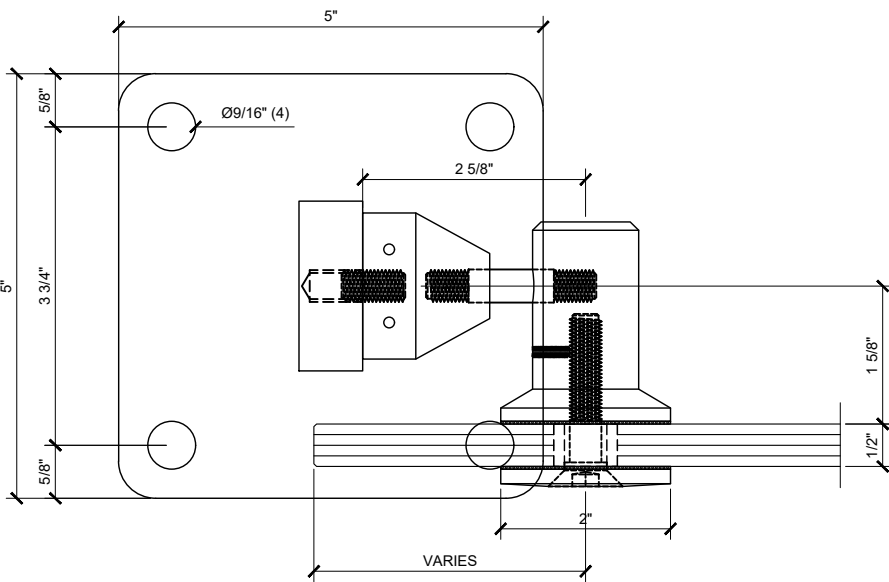
C.R. LAURENCE CO. ARCHITECTURAL PRODUCTS
2033 E. Valley Ave. #100
Anaheim, CA 92805-1897
PH: (800)-421-6144 FAX: 800-587-7501 www.crlaurence.com

Description:
CRL P3-SERIES
POST RAILING SYSTEMS
SYS0071C

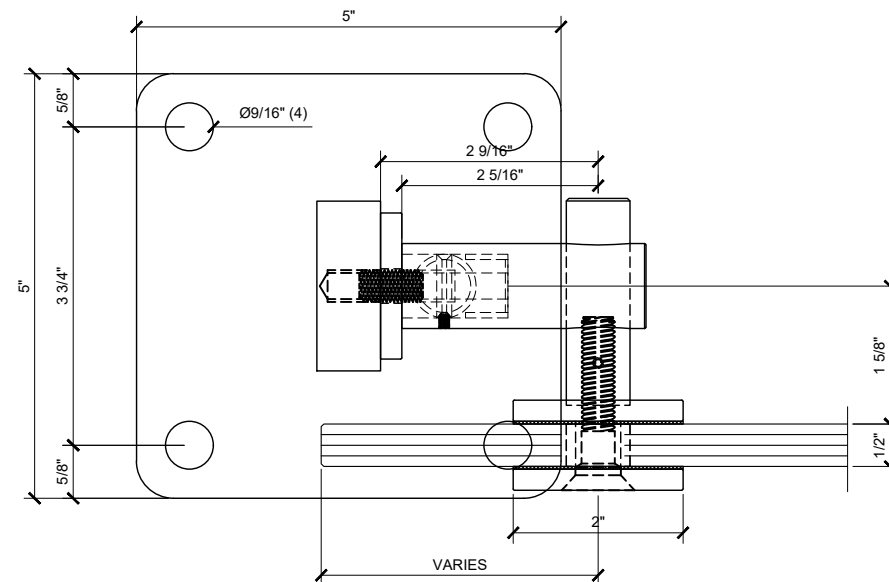
Drawn By: SDH
Date: 03/08/2017
Scale: AS NOTED
File Name:
SYS0071C P3Series Stainless Steel Post Railing Systems

Sheet

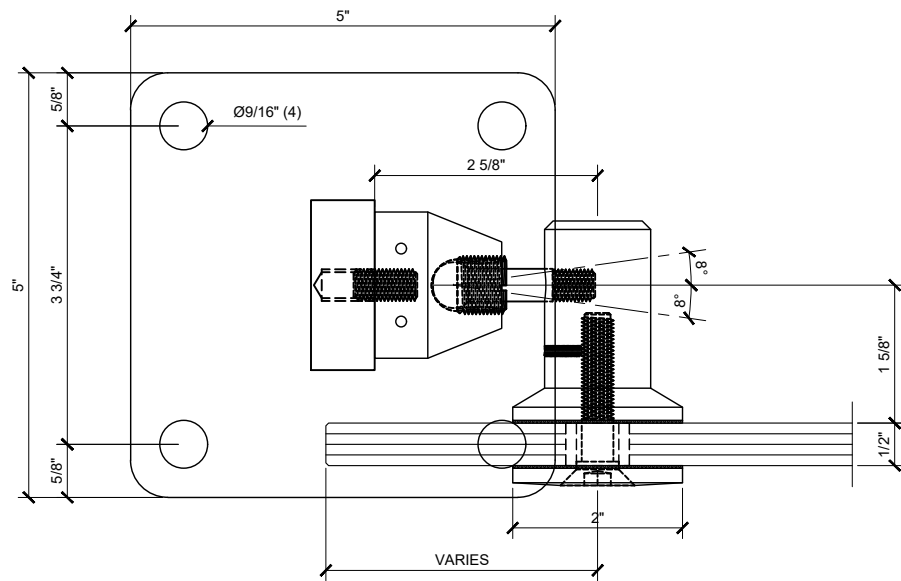
1.01



RB50F FIXED FITTING W/ FLANGE
SCALE: 1'-0"=1'-0"



RB51F FIXED FITTING W/ FLANGE
SCALE: 1'-0"=1'-0"



RB50S FIXED FITTING W/ FLANGE
SCALE: 1'-0"=1'-0"

Revisions By:



C.R. LAURENCE CO. ARCHITECTURAL PRODUCTS
2033 E. Van Ness Ave., Suite 100
PH: (800) 421-6144 FAX: 800-587-7501 www.crlaurence.com

Description:
CRL P3-SERIES
POST RAILING SYSTEMS
SYS0071C

Drawn By: SDH
Date: 03/08/2017
Scale: AS NOTED
File Name:
SYS0071C P3Series Stainless Steel Post Railing Systems

Sheet

2.01