

## ZURICH

180° Glass-to-Glass Outswing or Bi-Fold Inswing Hinge

CAT. NO. ZUR01

**\*NOTE:** Do not exceed either maximum weight or width when choosing proper quantity of hinges.

### Specifications:

Glass Sizes: 5/16" (8mm) to 3/8" (10mm) thick tempered safety glass  
 Construction: Stainless steel or solid brass  
 Closing Type: Free-swinging  
 Two Holes Required (No Cutout)  
 Includes: Gaskets, screws and template

### Maximum Door Capacities for Two Hinges or Three Hinges

|                      |                  |                  |
|----------------------|------------------|------------------|
| Maximum Door Weight: | 100 lbs. (45 kg) | 150 lbs. (68 kg) |
| Maximum Door Width:  | 36" (914mm)      | 40" (1016mm)     |

### Use of Gaskets:

For 5/16" (8mm) Glass: Use one thick gasket on each side  
 For 3/8" (10mm) Glass: Use one thin gasket on each side

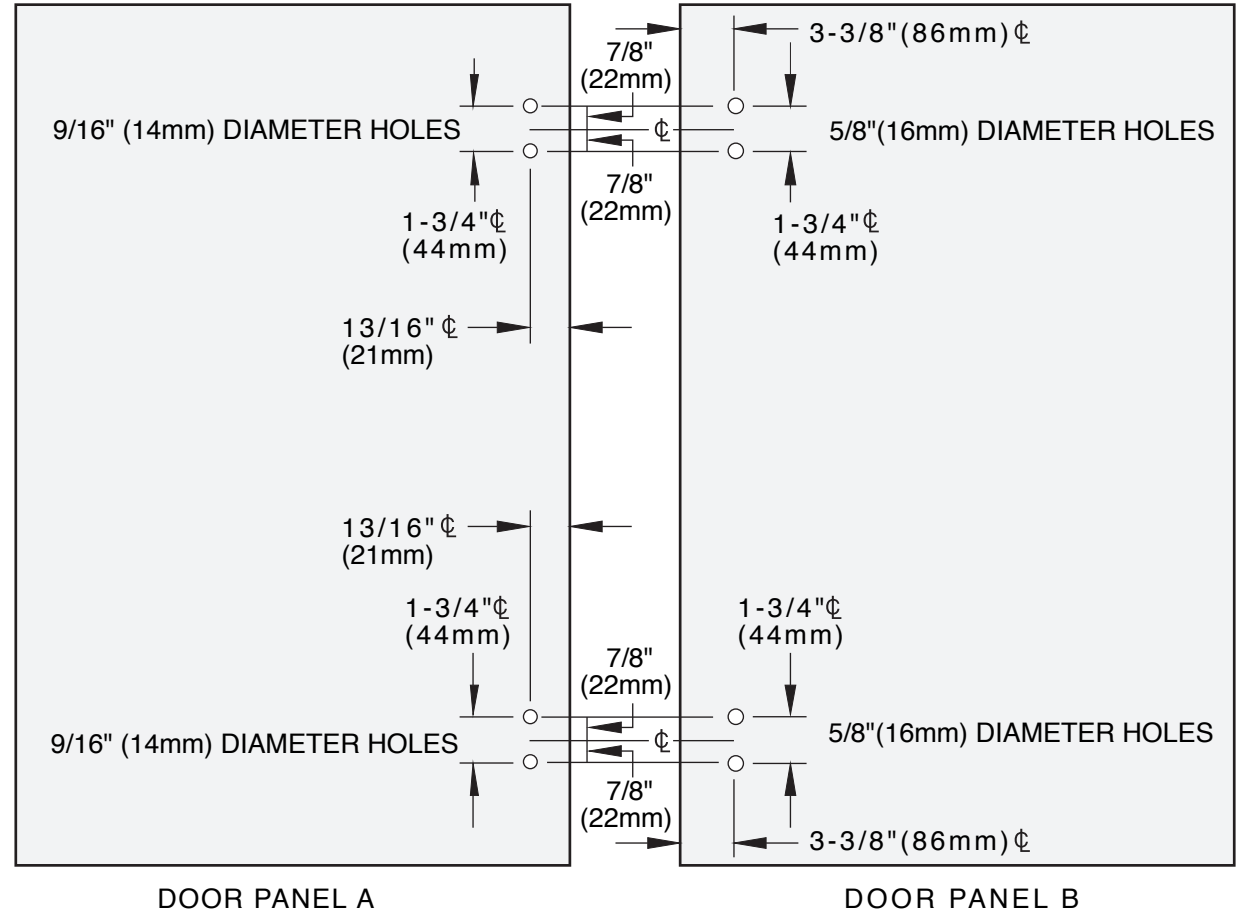
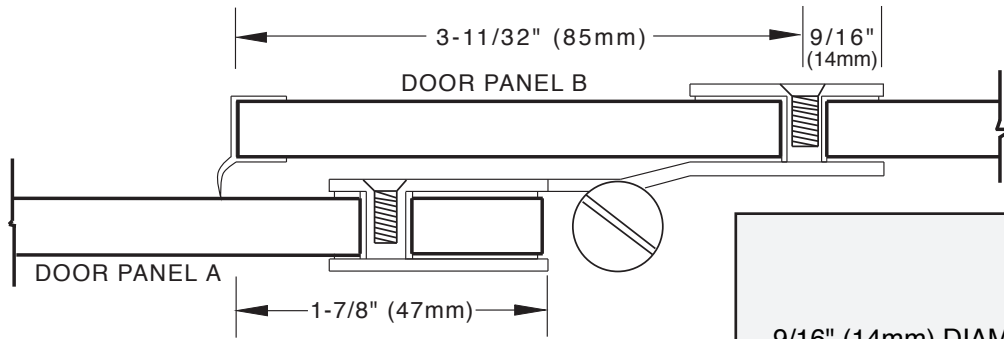
### Recommendations:


For public safety, we recommend the use of only tempered safety glass. Do not use power tools when installing these hinges.

### Maintenance Guidelines:

- Never use an abrasive cleaner on the hardware. Many of the components are coated with a clear lacquer that will be irreparably damaged if subjected to harsh, abrasive chemicals. Advise your customer that drying the hardware with a clean, soft towel on a daily basis is the best way to maintain the hardware. If mineral deposits build-up, mix a couple of drops of a mild liquid soap (such as Ivory or a similar product) into a cup of warm water. Using a soft, non-abrasive cloth, clean the hardware. Rinse thoroughly with clean, warm water and dry.

**IMPORTANT:** Project measurements from the edge of the glass.



 ALWAYS USE DIMENSIONS TO ENSURE ACCURACY

**ZURICH**  
 180° Glass-to-Glass Outswing or Bi-Fold Inswing Hinge  
 CAT. NO. ZUR01