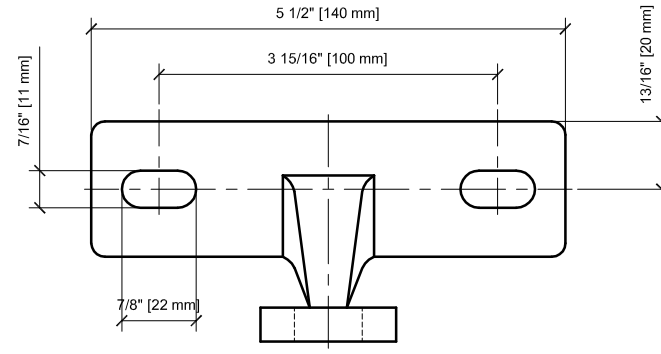
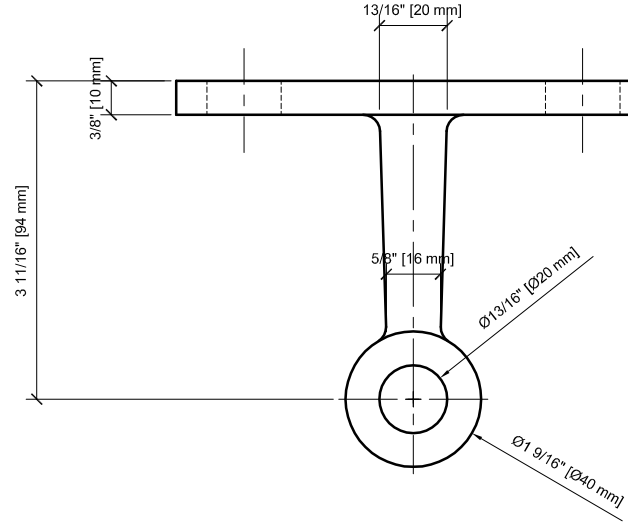


FMH1



Revisions By:

JO - xx/xx/xxxx

CR
C.R. LAURENCE CO. ©
ARCHITECTURAL PRODUCTS
 2503 E. Vercor Avenue
 Los Angeles, CA 90056-1807
 PH (800) 421-4144 FAX (800) 262-3299
 www.crlaurence.com

Architect :
 -
 -
 -
 -
 Tel -
 Fax -

Project Name :
FMH1
SPIDER FITTING

Glazing Contractor :
CR LAURENCE
 Address 1
 Address 2
 Tel 1 xxx xxx xxxx
 Fax 1 xxx xxx xxxx

Drawn By : RGA

Date : 05/12/10

Scale : As Noted

Job No. : xx-xxx

Sheet No. :