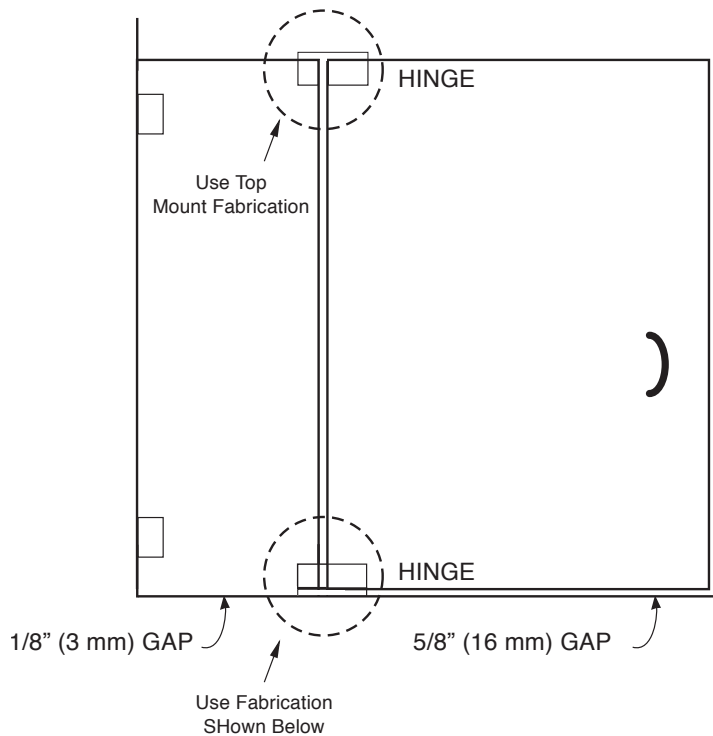
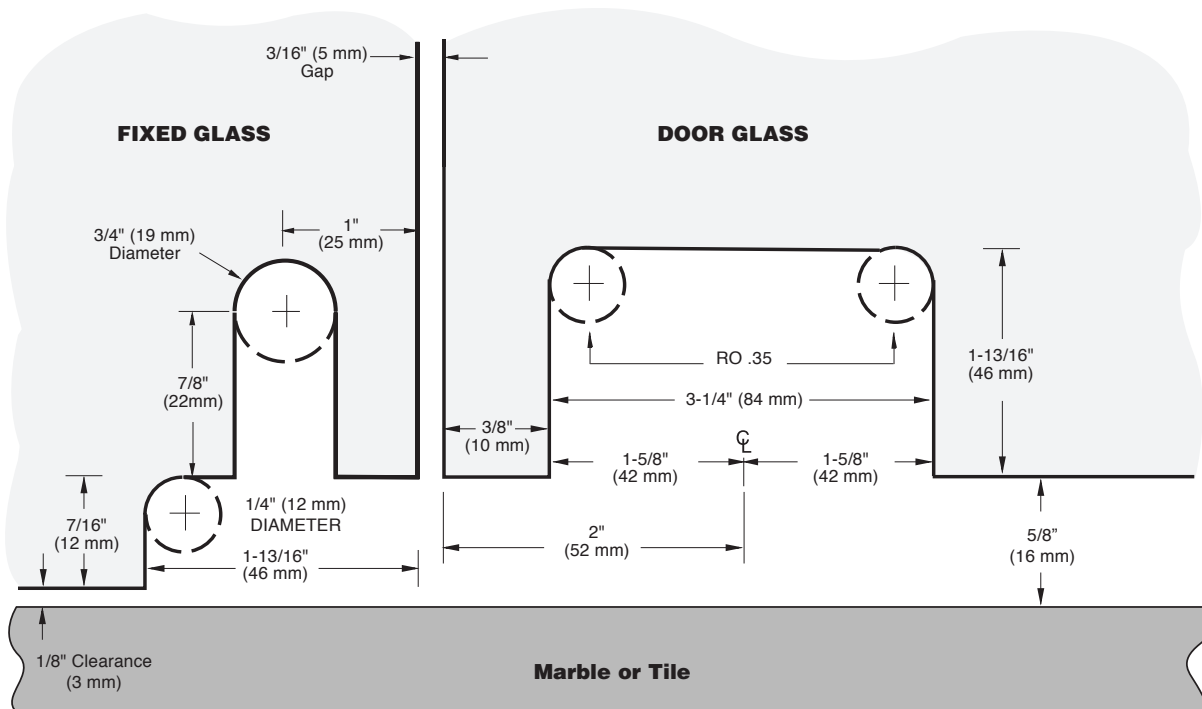


SHORIZON®



BOTTOM MOUNT FOR USE WITH DRIP RAIL

MONTREAL PIVOT HINGE WITH INLINE PANEL CLAMP H-PIVBGTS



NOTE: DRAWINGS NOT TO SCALE.

REVISION DATE 08/15

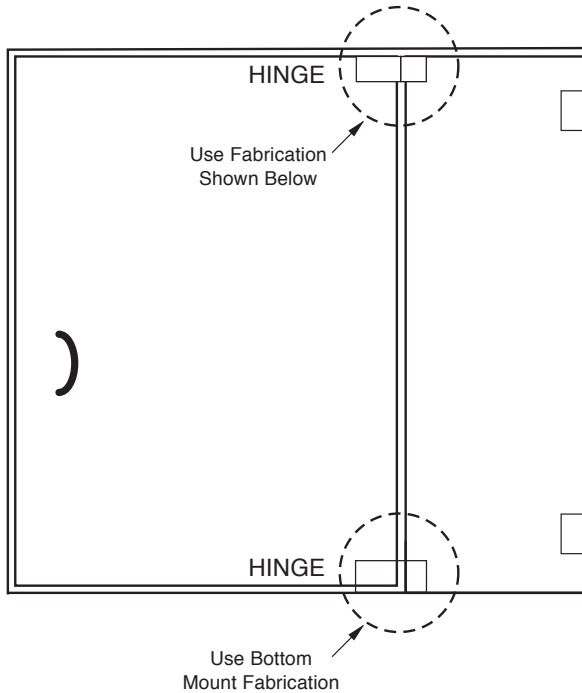
ushorizon.com

28539 INDUSTRY DRIVE, VALENCIA, CA 91355

Toll Free Phone: (877) 728-3874 Toll Free Fax: (888) 440-9567

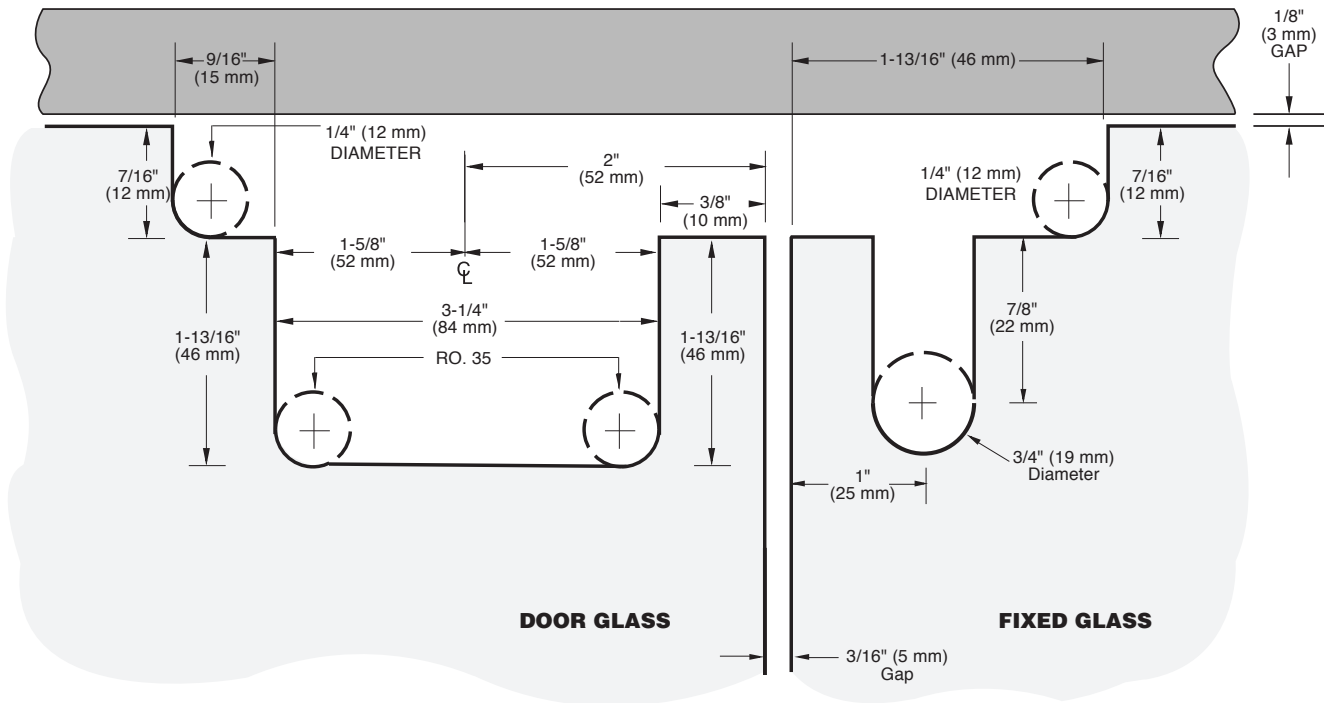
Phone: (661) 775-1675 Fax: (661) 775-1676

SHORIZON®



TOP FLUSH MOUNT

MONTREAL PIVOT HINGE WITH INLINE PANEL CLAMP H-PIV BGTS



NOTE: DRAWINGS NOT TO SCALE.

REVISION DATE 08/15

ushorizon.com

28539 INDUSTRY DRIVE, VALENCIA, CA 91355

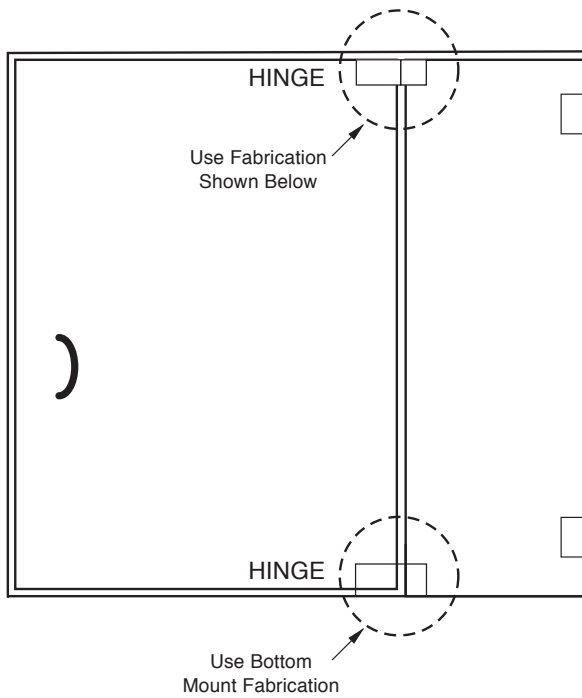
Toll Free Phone: (877) 728-3874

Toll Free Fax: (888) 440-9567

Phone: (661) 775-1675

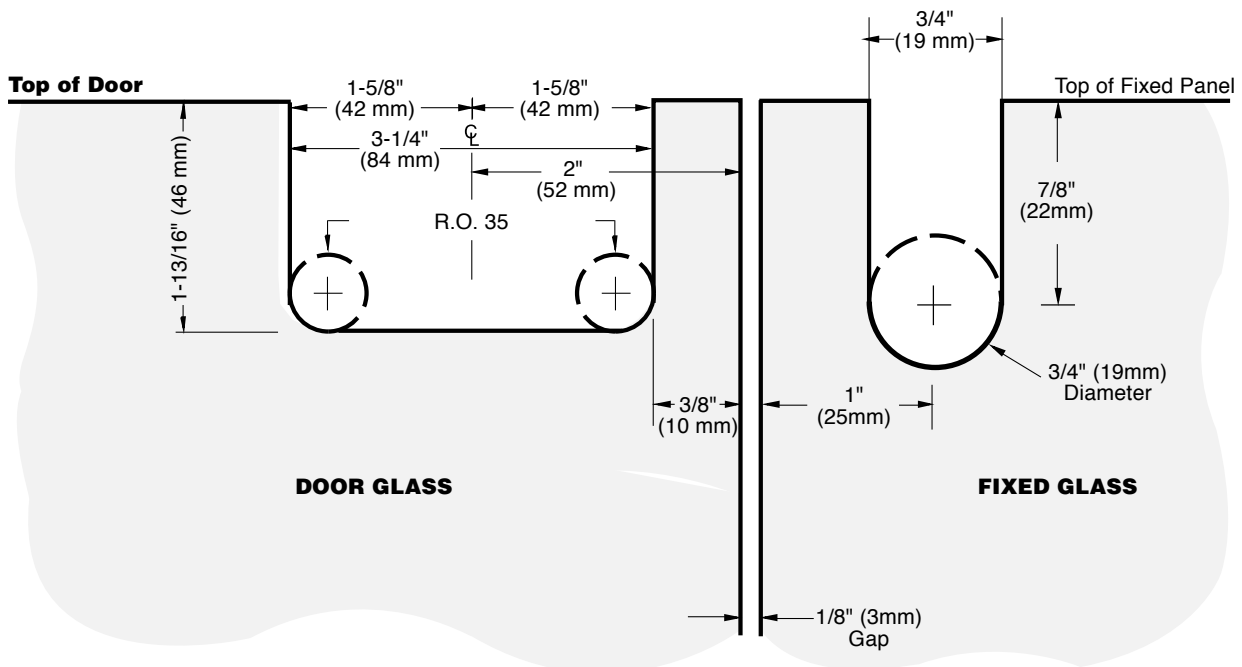
Fax: (661) 775-1676

SHORIZON®



TOP MOUNT - OPEN TOP

MONTREAL PIVOT HINGE WITH INLINE PANEL CLAMP H-PIVBGTS



NOTE: DRAWINGS NOT TO SCALE.

REVISION DATE 08/15

ushorizon.com

28539 INDUSTRY DRIVE, VALENCIA, CA 91355

Toll Free Phone: (877) 728-3874

Toll Free Fax: (888) 440-9567

Phone: (661) 775-1675

Fax: (661) 775-1676