

GLASS CLAMPS

180° Double Stud
CAT. NO. GCB184

***NOTE:** Do not exceed either maximum weight or width when choosing proper quantity of hinges.

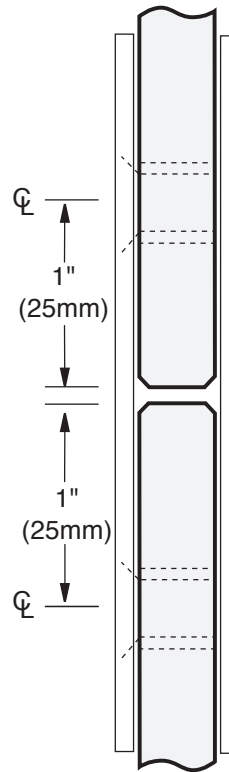
Specifications:

Material:	Solid brass
Glass Thickness Range:	5/16" (8mm) to 1/2" (12mm)
Hole Size Required:	5/8" (16mm) or 3/4" (19mm)
Includes:	Mounting screws and gaskets

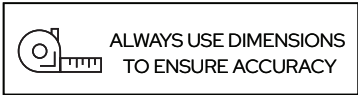
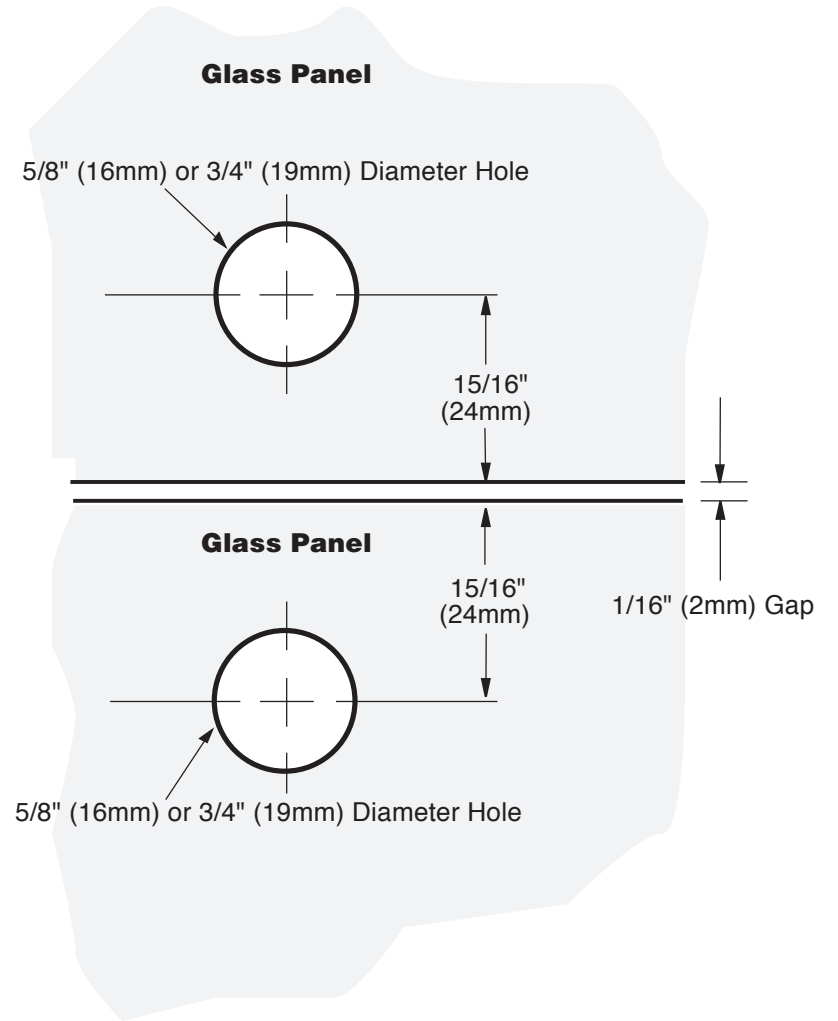
Template Shown on Next Page

IMPORTANT: Project measurements from the edge of the glass.

TYPICAL INSTALLATION



TEMPLATE FOR SQUARE CUT GLASS



GLASS CLAMPS

180° Double Stud
CAT. NO. GCB184