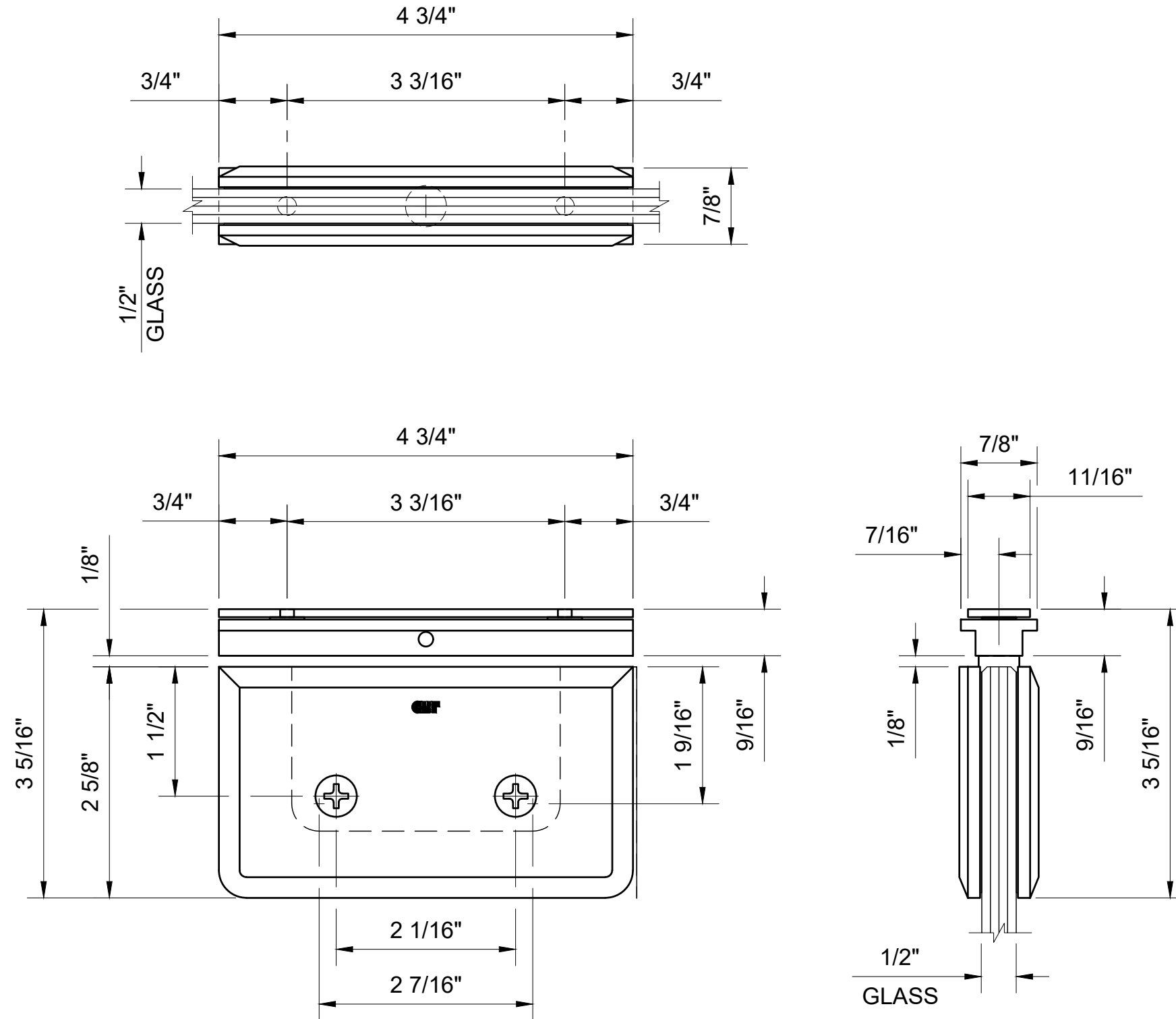


USE OF GASKETS

FOR 1/2" GLASS: USE ONE THIN GASKET ON ONE SIDE AND ONE THICK GASKET ON THE OTHER SIDE
 FOR 12mm GLASS: USE ONE THICK GASKET ON BOTH SIDES



CATALOG NUMBER	FINISH
SRPPH06CH	POLISHED CHROME
SRPPH06BR	POLISHED BRASS
SRPPH060RB	OIL RUBBED BRONZE
SRPPH06BN	BRUSHED NICKEL
SRPPH06BSC	BRUSHED SATIN CHROME
SRPPSB	SATIN BRASS
SRPPH06SC	SATIN CHROME

SRPPH06XX - CRL SENIOR PRIMA EZ ADJUST HEADER MOUNT HINGE

DATE: 2/26/19
 SCALE: 6"=1'-0"
 DRAWN BY: VM

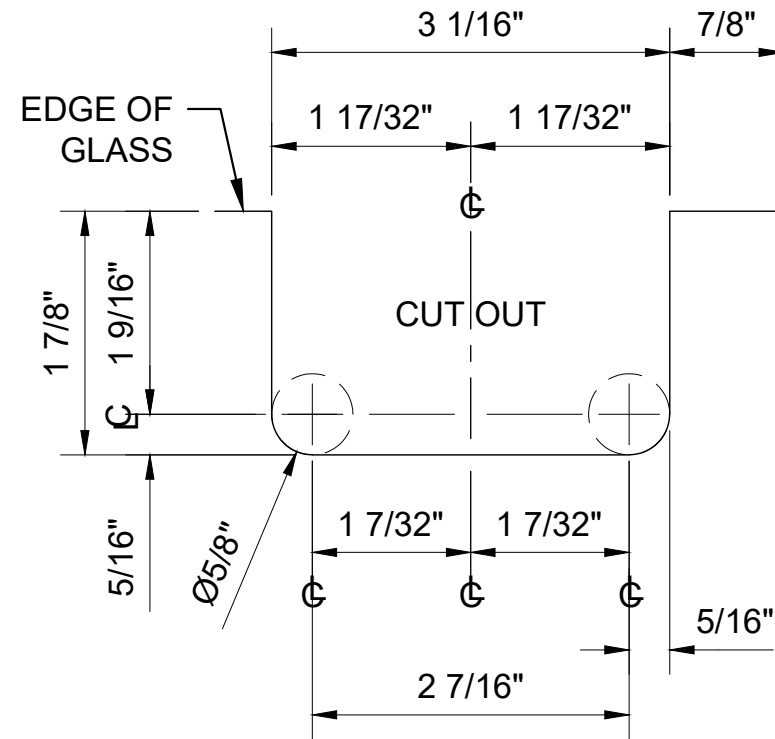
DESCRIPTION: CRL SENIOR PRIMA 06 SERIES HINGE
 CTS
 CRL SRPPH06
 EZ-ADJUST TOP MOUNT HINGE
 www.crlaurence.com

C.R. LAURENCE CO. ARCHITECTURAL PRODUCTS
 2503 E. Vernon Avenue, Los Angeles, C.A 90058-1897
 PH (800)-421-6144 FX: 800-587-7501 www.crlaurence.com

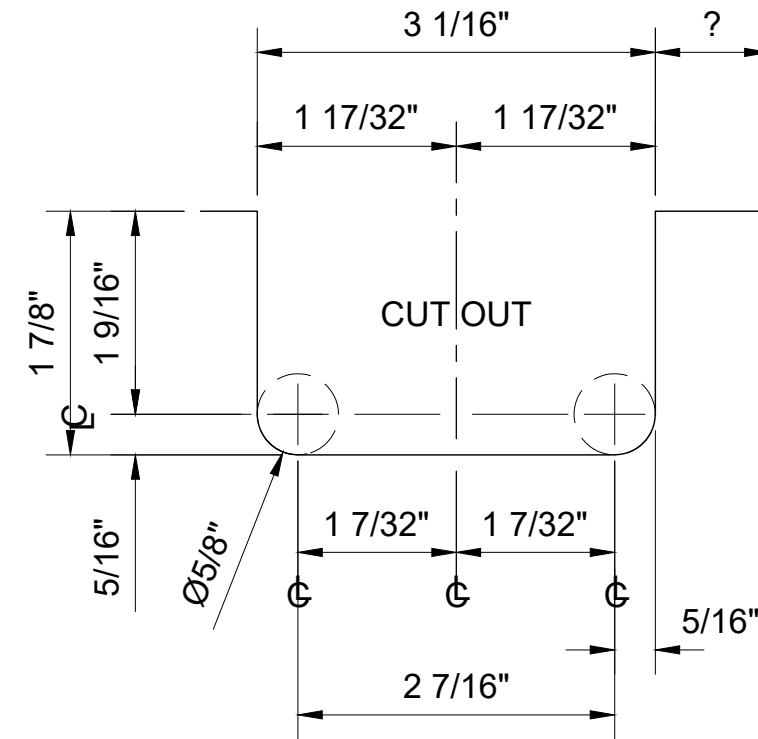


USE OF GASKETS

FOR 1/2" GLASS: USE ONE THIN GASKET ON ONE SIDE AND ONE THICK GASKET ON THE OTHER SIDE
 FOR 12mm GLASS: USE ONE THICK GASKET ON BOTH SIDES



EDGE MOUNT PREFERRED METHOD
 GLASS FABRICATION TEMPLATE



INSET MOUNT METHOD
 GLASS FABRICATION TEMPLATE

CATALOG NUMBER	FINISH
SRPPH06CH	POLISHED CHROME
SRPPH06BR	POLISHED BRASS
SRPPH060RB	OIL RUBBED BRONZE
SRPPH06BN	BRUSHED NICKEL
SRPPH06BSC	BRUSHED SATIN CHROME
SRPPSB	SATIN BRASS
SRPPH06SC	SATIN CHROME

SRPPH06XX - CRL SENIOR PRIMA EZ ADJUST HEADER MOUNT HINGE TEMPLATES

DATE: 2/26/19
 SCALE: 6"=1'-0"
 DRAWN BY: VM

DESCRIPTION: CRL SENIOR PRIMA 06 SERIES HINGE
 CTS
 CRL SRPPH06
 EZ-ADJUST TOP MOUNT HINGE
 www.crlaurence.com

C.R. LAURENCE CO. ARCHITECTURAL PRODUCTS
 2503 E. Vernon Avenue, Los Angeles, C.A 90058-1897
 PH (800)-421-6144 FX: 800-587-7501 www.crlaurence.com

