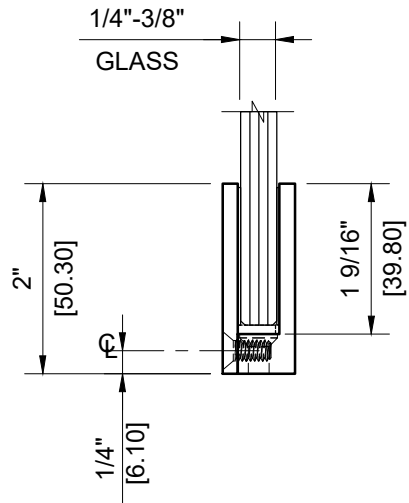
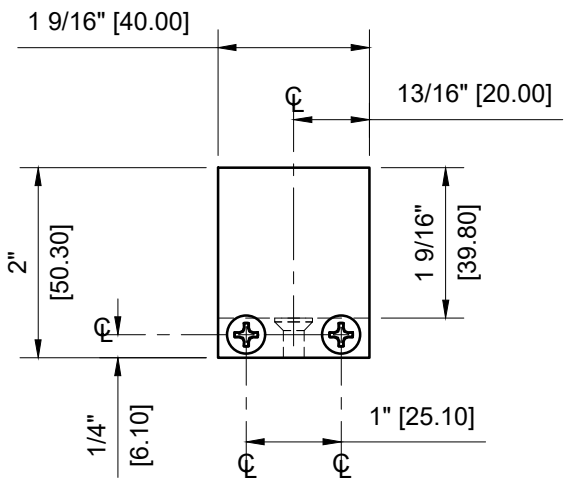
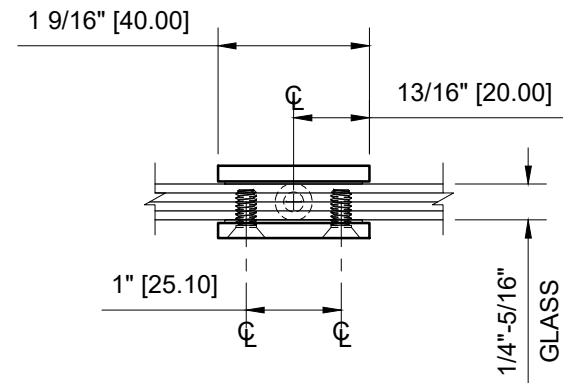


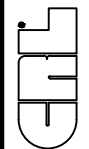
USE OF GASKETS
FOR 1/4" (6mm) GLASS: USE CRL CAT.# 820 TUFF-PAK TAPE
FOR 3/8" (10mm) GLASS: GASKET SUPPLIED



EH13XX - CRL LIGHT GLASS FACE PLATE GLASS CLAMPS

DESCRIPTION: CRL - EH13__ FIXED PANEL U-CLAMP
 LIGHT GLASS REMOVABLE FACE PLATE

C.R.LAURENCE CO. ARCHITECTURAL PRODUCTS
 2503 E. Vernon Avenue, Los Angeles, CA 90058-1897
 PH (800)-421-6144 FX: 800-587-7501 www.crlaurence.com



DATE: 2-10-2020
 SCALE: 6"=1'-0"
 DRAWN BY: VM