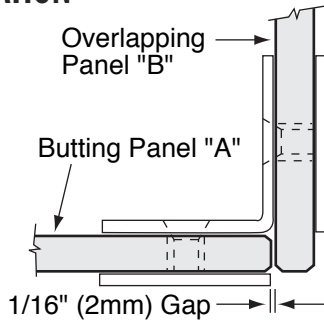


# SHORIZON®

## C-90GTG / C-P90GTG GLASS CLAMP

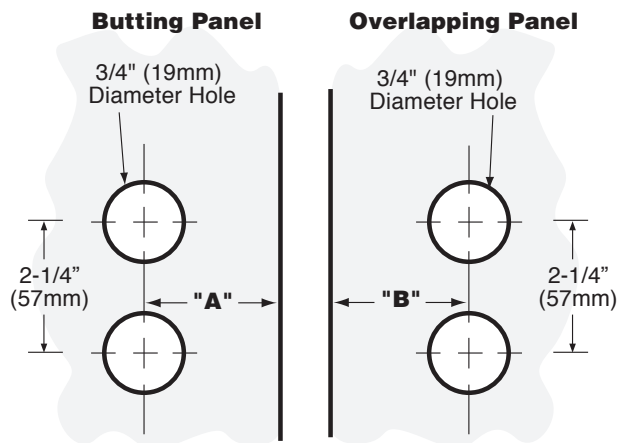
### TYPICAL INSTALLATION

**Important:** Project measurements from the edge of the glass.



Glass Thickness	"A" Measurement	"B" Measurement
3/8" (10mm)	1-3/8" (35mm)	1-13/16" (46mm)
1/2" (12mm)	1-3/8" (35mm)	1-15/16" (49mm)

### TEMPLATE OPTION FOR SQUARE CUT GLASS

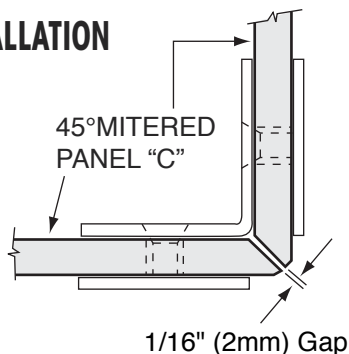


The Above Template Options Apply to the Following Clamps:

90° Glass Bracket  
**C-90GTG / C-P90GTG**

### TYPICAL INSTALLATION

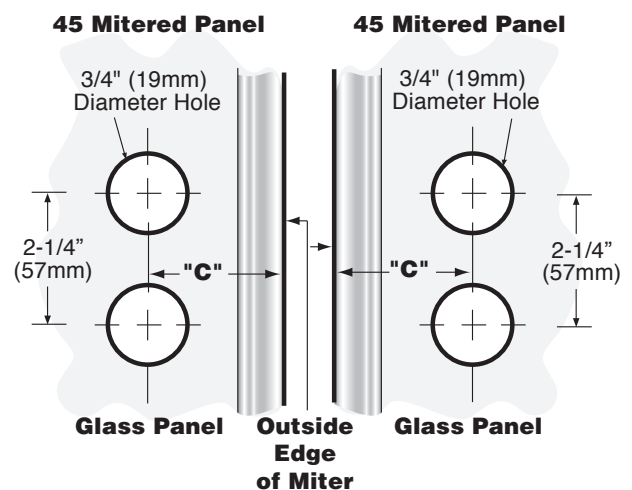
**Important:** Project measurements from the outside of the mitered glass.



Glass Thickness	"C"* Measurement
3/8" (10mm)	1-3/4" (44mm)
1/2" (12mm)	1-7/8" (47mm)

\*From outside edge of miter

### TEMPLATE OPTION FOR 45° MITERED GLASS



NOTE: DRAWINGS NOT TO SCALE.

REVISION DATE 08/15

[ushorizon.com](http://ushorizon.com)

28539 INDUSTRY DRIVE, VALENCIA, CA 91355

Toll Free Phone: (877) 728-3874

Toll Free Fax: (888) 440-9567

Phone: (661) 775-1675

Fax: (661) 775-1676