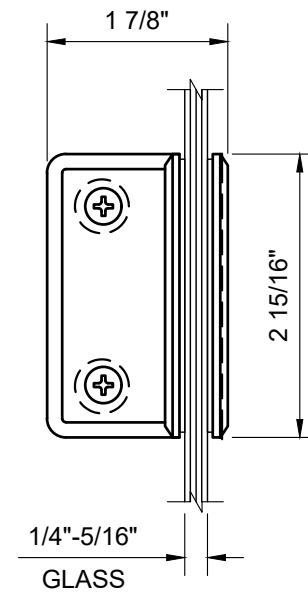
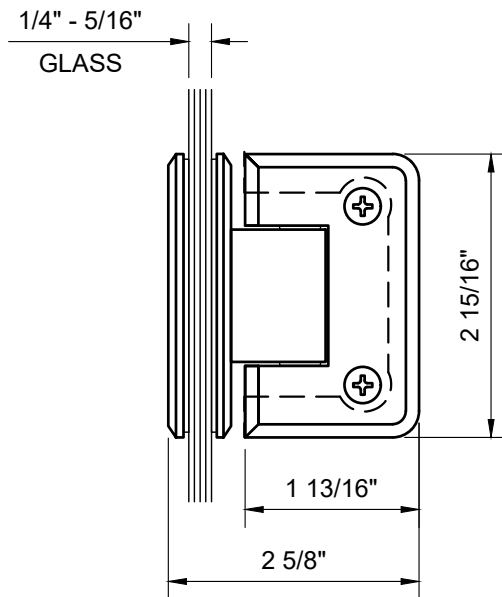
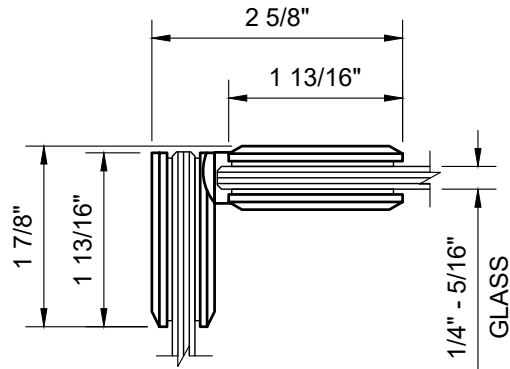


USE OF GASKETS

FOR 1/4" (6mm) GLASS: USE ONE THICK GASKET ON EACH SIDE

FOR 5/16" (8mm) GLASS: USE ONE THIN GASKET ON EACH SIDE



CATALOG NUMBER	FINISH
TR1092CH	POLISHED CHROME
TR1092BR	POLISHED BRASS
TR1092BN	BRUSHED NICKEL
TR1092GP	GOLD PLATE
TR1092SC	SATIN CHROME
TR1092WC	WHITE W/ CHROME ACCENT

TR1092XX - CRL TRIANON SERIES 90° GLASS TO GLASS MOUNT HINGE

DATE: 3/11/19  
 SCALE: 6"=1'-0"  
 DRAWN BY: VM

DESCRIPTION: CRL TRIANON 092 SERIES HINGE  
 TR1092\_\_ 90 DEGREE GLASS TO GLASS HINGE

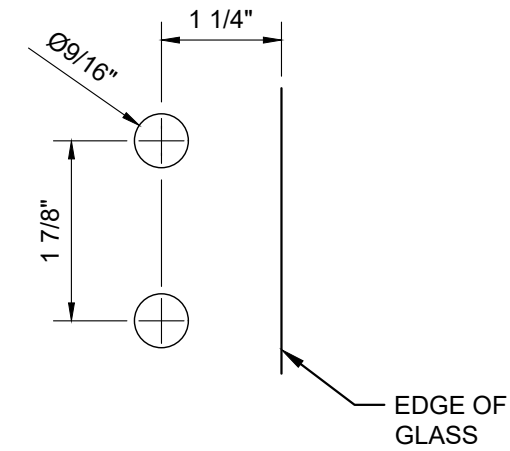
C.R. LAURENCE CO. ARCHITECTURAL PRODUCTS  
 2503 E. Vernon Avenue, Los Angeles, CA 90058-1897  
 PH (800)-421-6144 FX: 800-587-7501 www.crlaurence.com



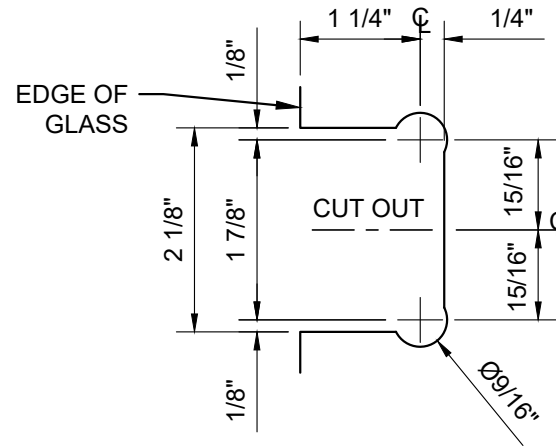
USE OF GASKETS

FOR 1/4" (6mm) GLASS: USE ONE THICK GASKET ON EACH SIDE

FOR 5/16" (8mm) GLASS: USE ONE THIN GASKET ON EACH SIDE



FIXED PANEL TEMPLATE



DOOR TEMPLATE

CATALOG NUMBER	FINISH
TR1092CH	POLISHED CHROME
TR1092BR	POLISHED BRASS
TR1092BN	BRUSHED NICKEL
TR1092GP	GOLD PLATE
TR1092SC	SATIN CHROME
TR1092WC	WHITE W/ CHROME ACCENT

CRL - TR1092XX GLASS FABRICATION TEMPLATES

C.R. LAURENCE CO. ARCHITECTURAL PRODUCTS  
 2503 E. Vernon Avenue, Los Angeles, CA 90058-1897  
 PH (800)-421-6144 FX: 800-587-7501 www.crlaurence.com



DESCRIPTION: CRL TRIANON 092 SERIES HINGE

TR1092\_\_ 90 DEGREE GLASS TO GLASS HINGE

DATE: 3/11/19

SCALE: 6"=1'-0"

DRAWN BY: VM