

Important Information:

The OPF40 Sidelite Mount Transom Patch is designed for 3/4" offset. This dimension is measured from the door edge to the pivot center line.

Specifications:

Glass Sizes: 3/8" (10 mm) to 1/2" (12 mm) Thick Tempered Safety Glass

Construction: High Density Casting

Glass Fabrication Required: Cut-Out and Hole Required - See Reverse

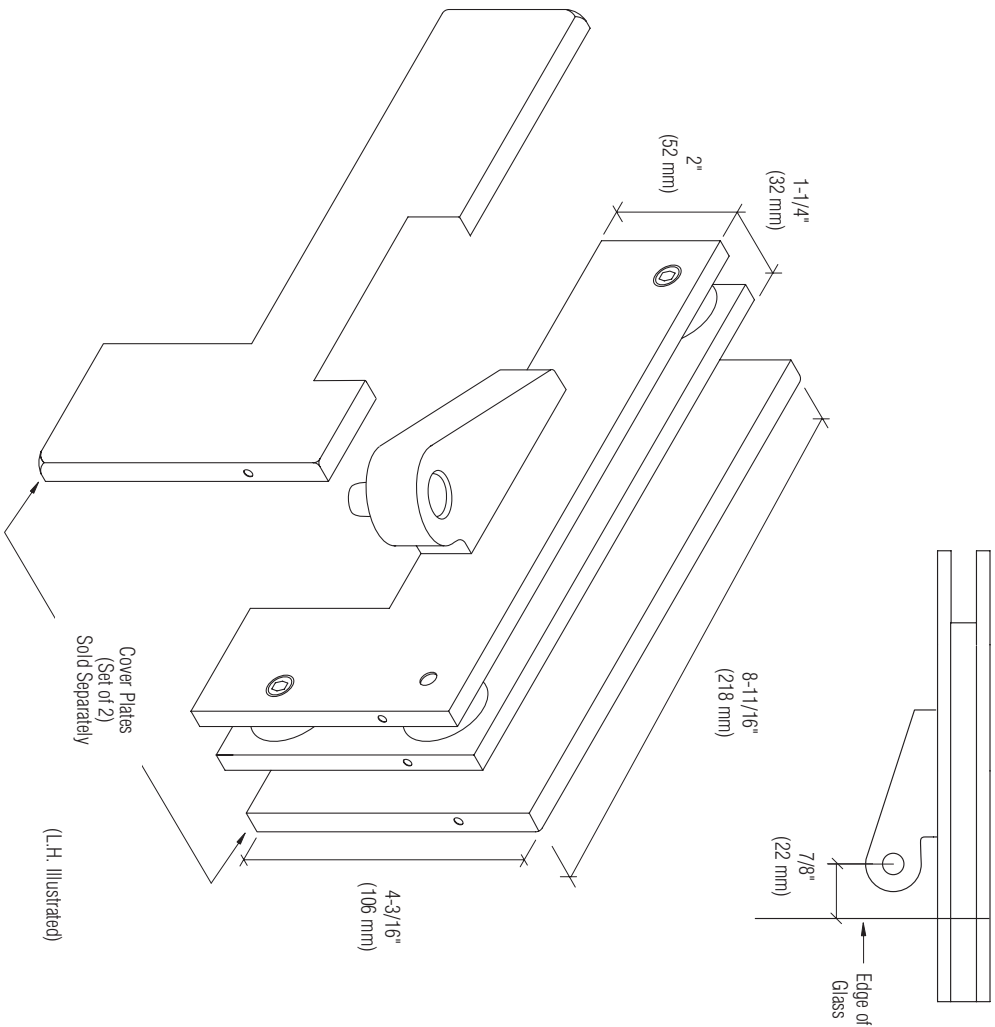
Includes: Gaskets, Screws and Template

Accessories: (Included)

- NONE

Available Patches:

- OPF40LBS
- OPF40LPS
- OPF40RBS
- OPF40LBS



CRL OFFSET SIDELITE MOUNTED TRANSOM PATCH

Offset Pivot

Cat. No. OPF40

Use of Gaskets:

For 3/8" (10 mm) Glass: Use two gaskets on each side

For 1/2" (12 mm) Glass: Use one gasket on each side

Recommendations:

For public safety, we recommend the use of tempered safety glass only

SEE TEMPLATE ON BACK

Refer to Dimensions Shown to Ensure Accuracy

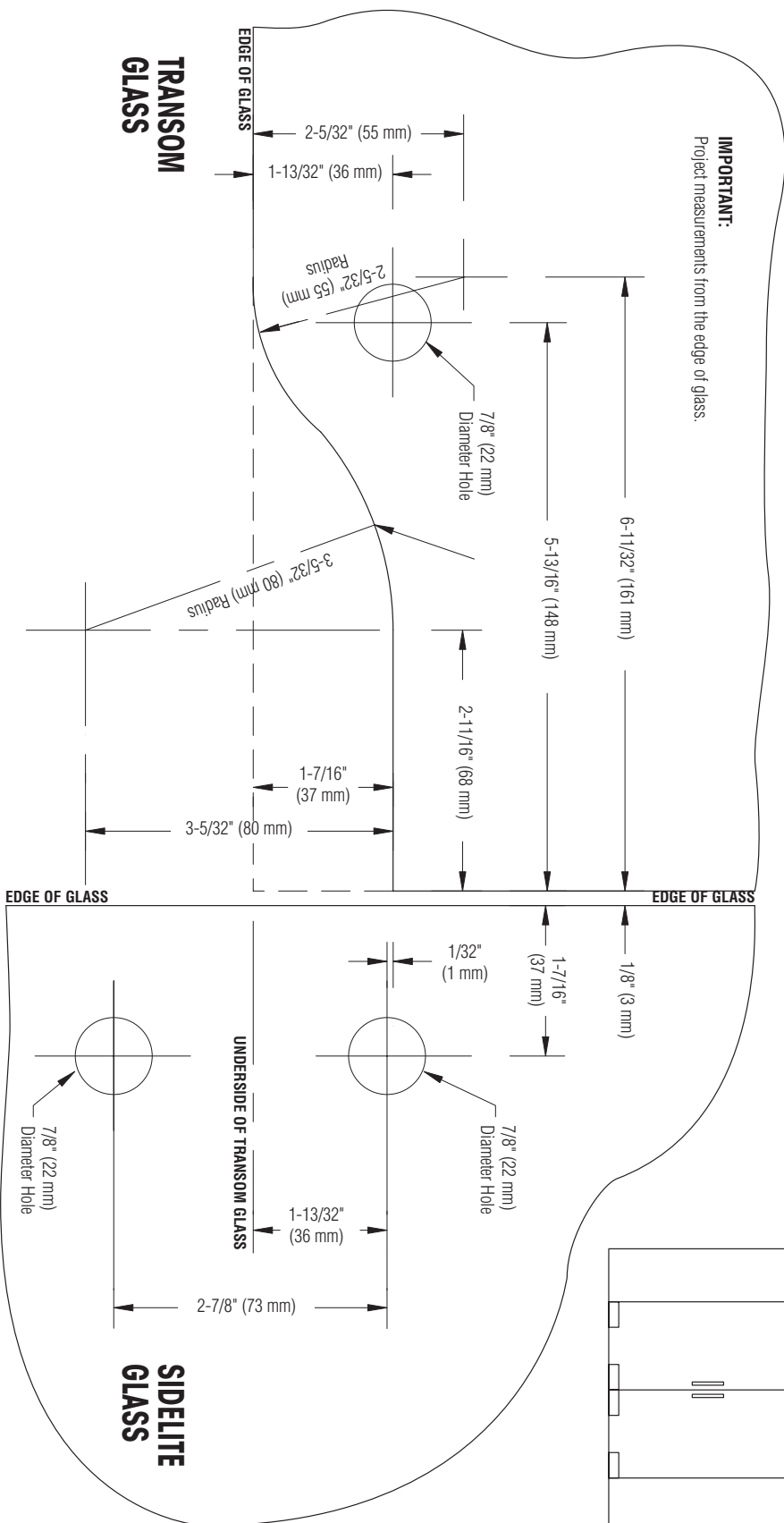
C.R. Laurence Co., Inc.
 crlaurence.com

For technical assistance in the United States call toll free (800) 421-6144; from Canada call toll free (877) 421-6144; Outside the U.S. and Canada call (323) 588-1281. Ask for Tech Sales at Extension 7700. Toll free fax (800) 587-7501.



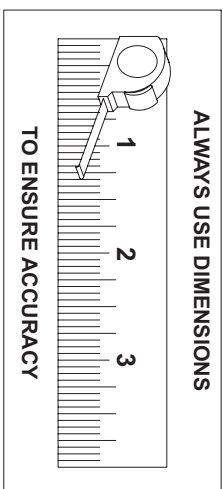
C.R. LAURENCE CO., INC.
PROFESSIONAL QUALITY

IMPORTANT:
Project measurements from the edge of glass.



CRL OFFSET SIDELITE MOUNTED TRANSONM PATCH

Cat. No. 0PF40



C.R. Laurence Co., Inc. For technical assistance in the United States call toll free (800) 421-6144; from Canada call toll free (877) 421-6144; crlaurence.com Outside the U.S. and Canada call (323) 588-1281. Ask for Tech Sales at Extension 7700. Toll free fax (800) 587-7501.