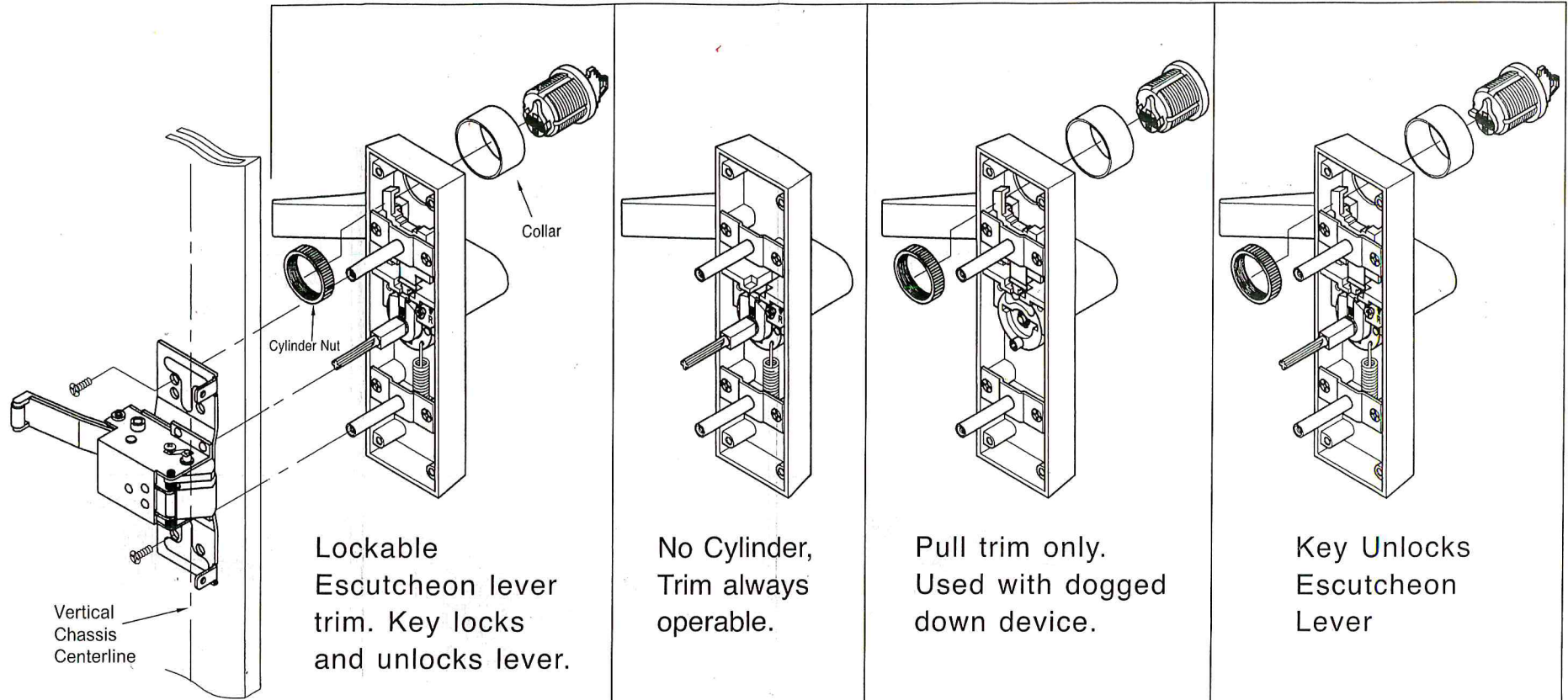


INSTRUCTIONS FOR ESC SERIES ESCUTCHEON LEVER TRIM

Series Rim and Vertical Rod Exit Device



Lockable
Escutcheon lever
trim. Key locks
and unlocks lever.

No Cylinder,
Trim always
operable.

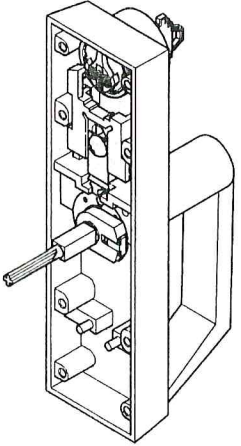
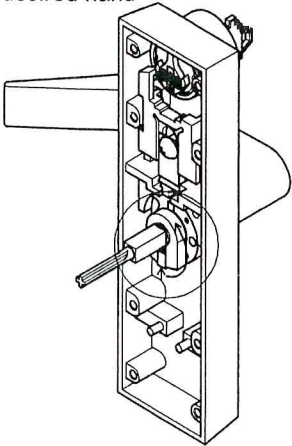
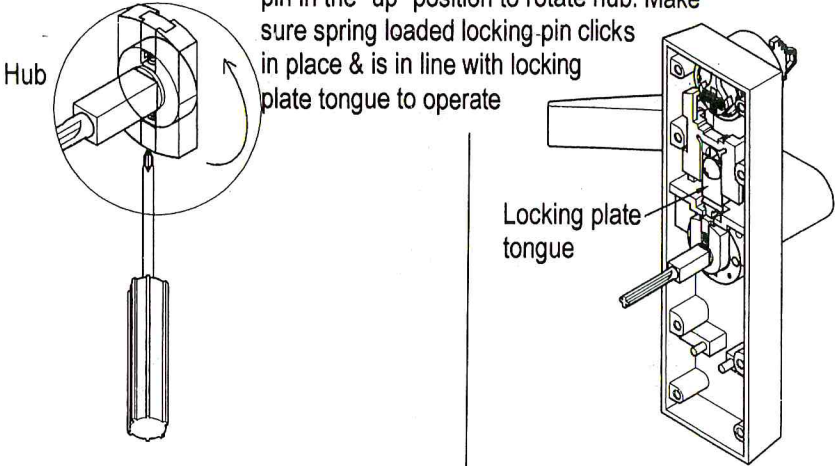
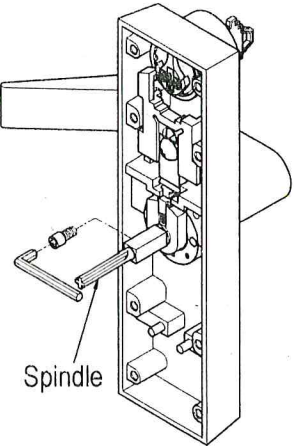
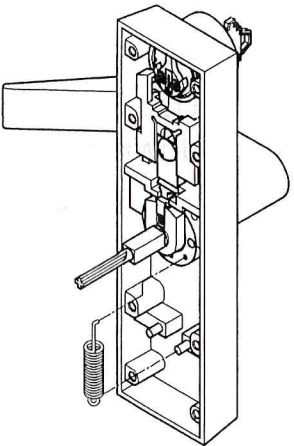
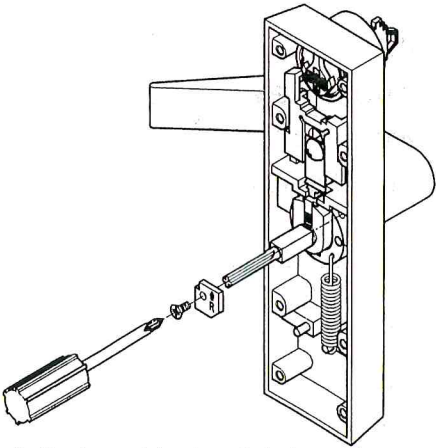
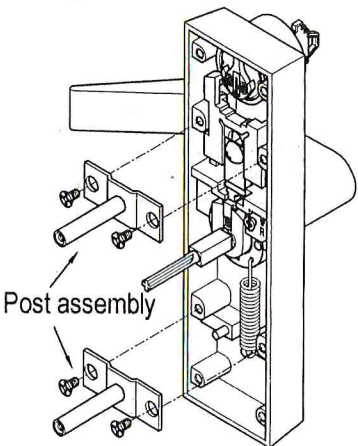
Pull trim only.
Used with dogged
down device.

Key Unlocks
Escutcheon
Lever

13 function Entrance	15 function Passage	10 function Dummy	04 function Storeroom
Attach the collar and mortise cyl to the esc case with mortise nut, attach case to door trubolting (4) screws to the chasis, aligning spindle to hub	Attach Esc case to door trubolting the (4) screws to the chasis, aligning spindle to hub of the Chasis	Attach the collar and dummy cyl to the esc case with mortise nut, attach esc to door trubolting (4) screws to the chasis	Attach the collar and mortise cyl to the esc case with mortise nut, attach case to door trubolting (4) screws to the chasis, aligning spindle to hub

ESCUTCHEON Lever Trim

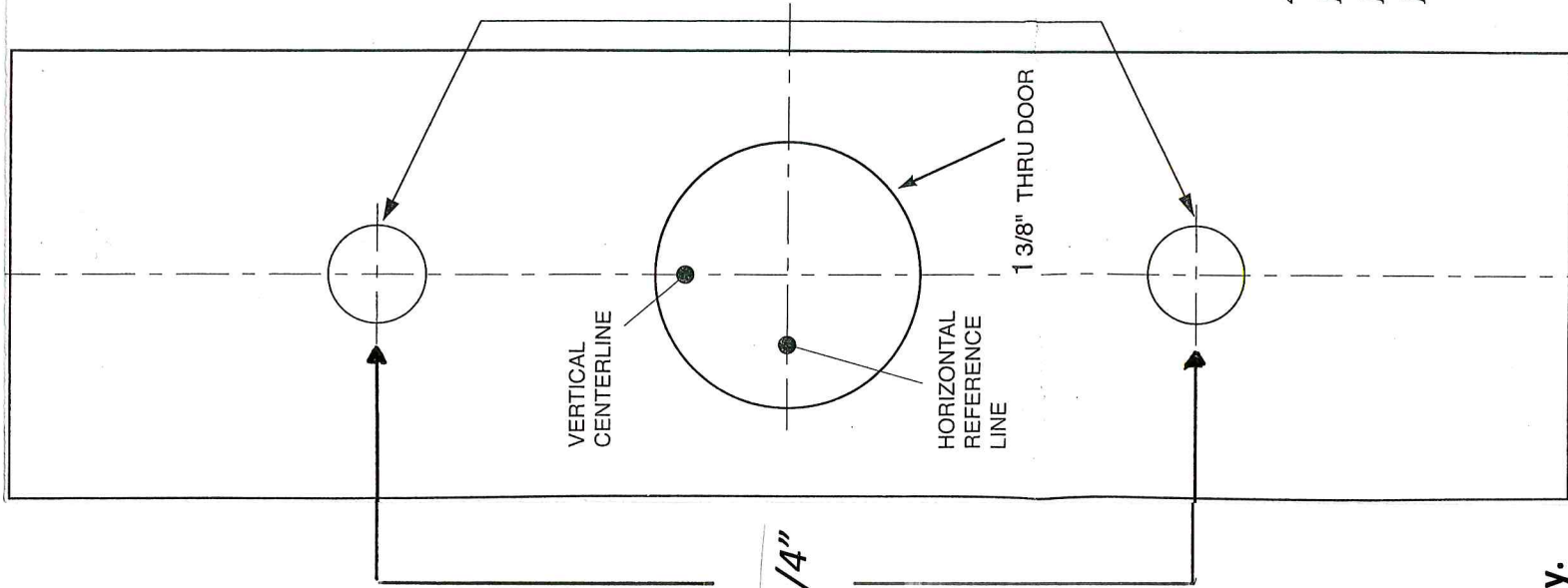
Instructions for changing hand of lever RHR(Reverse Steps for LHR)

<p>1. Lever Trim shipped and supplied with lever positioned neutral, Non Handed</p> 	<p>2. Rotate lever handle to desired hand</p> 	<p>3. Depress & push in the spring loaded locking pin in the "up" position to rotate hub. Make sure spring loaded locking-pin clicks in place & is in line with locking plate tongue to operate</p> 	
 <p>4. Fasten stop screw on the left side of spindle, using hex wrench.</p>	 <p>5. Mount the return spring on opposite side of stop screw.</p>	 <p>6. Fasten guide stop plate to case at the same side of return spring.</p>	 <p>7. Install top and bottom "post assembly plate".</p>

Instructions for replacing cylinder

1. With locking plate in down position, unscrew cyl nut and remove the cyl and ring
2. Replace cyl by reversing above procedure. Make sure that cyl cam points up and correct length of ring is used

FOR 3000 SERIES RIM & VERT ROD DEVICE
1 1/2" Ø THRU DOOR (2) TWO PLACES.



41"
FROM
FINISHED
FLOOR

VERTICAL
CENTERLINE

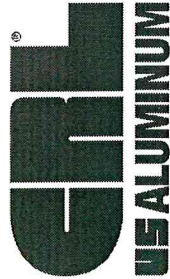
HORIZONTAL
REFERENCE
LINE

1 3/8" THRU DOOR

4-1/4"

Notes:

1. Not Scale Drawing – For Reference Only.
2. Dimensions are Given in Inches



C.R. Laurence Co.

DL51ESC
LEVER ENTRY TRIM