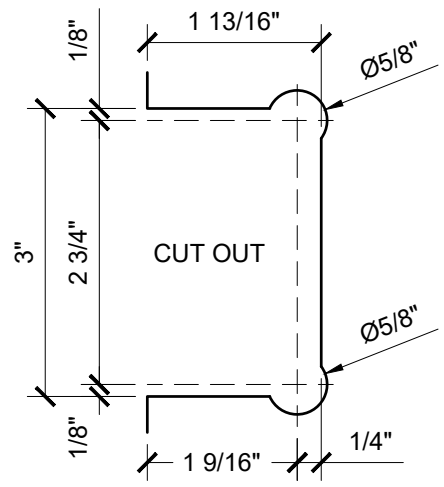
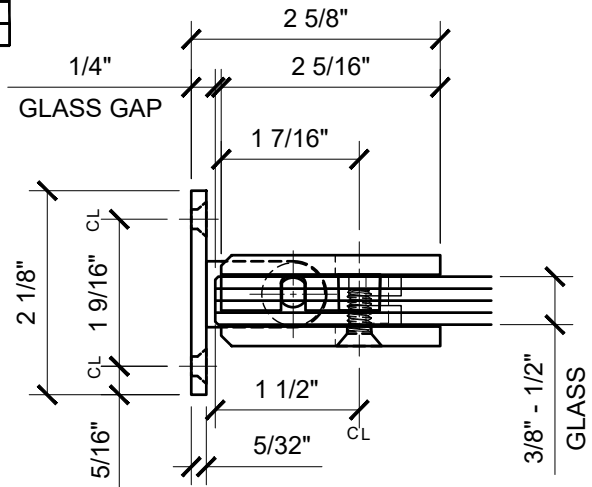
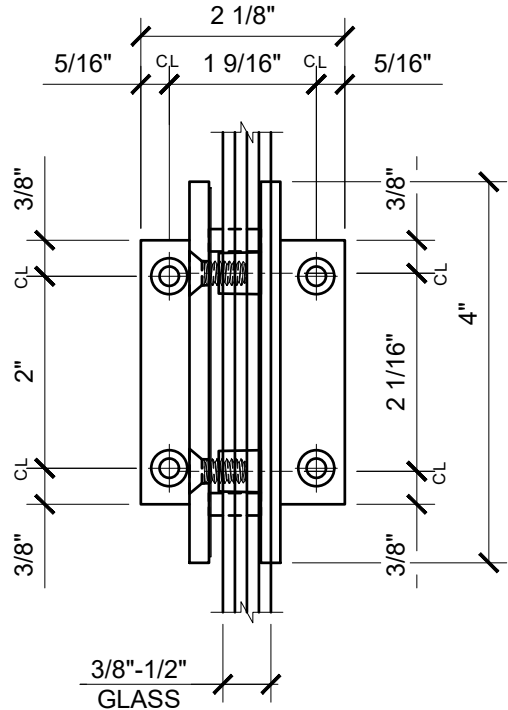
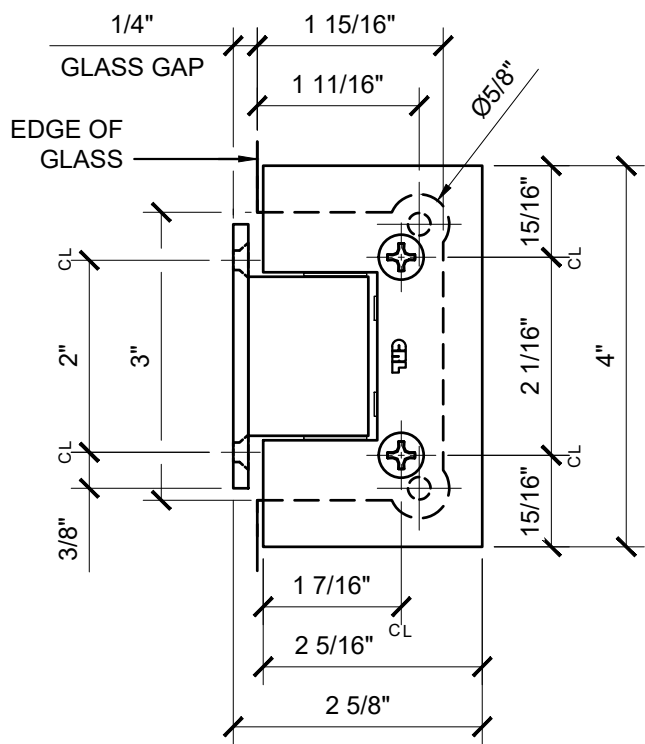


USE OF GASKETS

FOR 3/8" (10mm) GLASS: USE ONE THICK GASKET ON EACH SIDE
 FOR 1/2" (12mm) GLASS: USE ONE THIN GASKET ON EACH SIDE



GLASS FABRICATION TEMPLATE



CATALOG NUMBER	FINISH
V1E074CH	CHROME
V1E074MBL	MATTE BLACK
V1E074BR	BRASS
V1E0740RB	OIL RUBBED BRONZE
V1E074ABC0	ANTIQUE BRUSHED COPPER
V1E074ABL	ALL BLACK
V1E074ABN	ANTIQUE BRUSHED NICKEL
V1E074ABR	ANTIQUE BRASS
V1E074ABRZ	ANTIQUE BRONZE
V1E074AW	ALL WHITE
V1E074BBRZ	BRUSHED BRONZE
V1E074BC0	BRUSHED COPPER
V1E074BL	BLACK W/ CHROME ACCENTS
V1E074BN	BRUSHED NICKEL
V1E074BSC	BRUSHED SATIN CHROME
V1E074CBA	CHROME W/ BRASS ACCENTS
V1E074GM	GUN METAL
V1E074GB	GOLD PLATED
V1E074PN	POLISHED NICKEL
V1E074SB	SATIN BRASS
V1E074SC	SATIN CHROME
V1E074SN	SATIN NICKEL
V1E074WC	WHITE W/ CHROME ACCENTS

V1E074XX - CRL VIENNA SERIES WALL MOUNT SHORT BACK PLATE HINGE

DATE: 11/21/17
 SCALE: 6"=1'-0"
 DRAWN BY: VM

DESCRIPTION: CRL V1E074—
 VIENNA SERIES
 WALL MOUNT SHORT BACK PLATE HINGE

C.R.LAURENCE CO. ARCHITECTURAL PRODUCTS
 2503 E. Vernon Avenue, Los Angeles, C.A 90058-1897
 PH (800)-421-6144 FX: 800-587-7501 www.crlaurence.com

