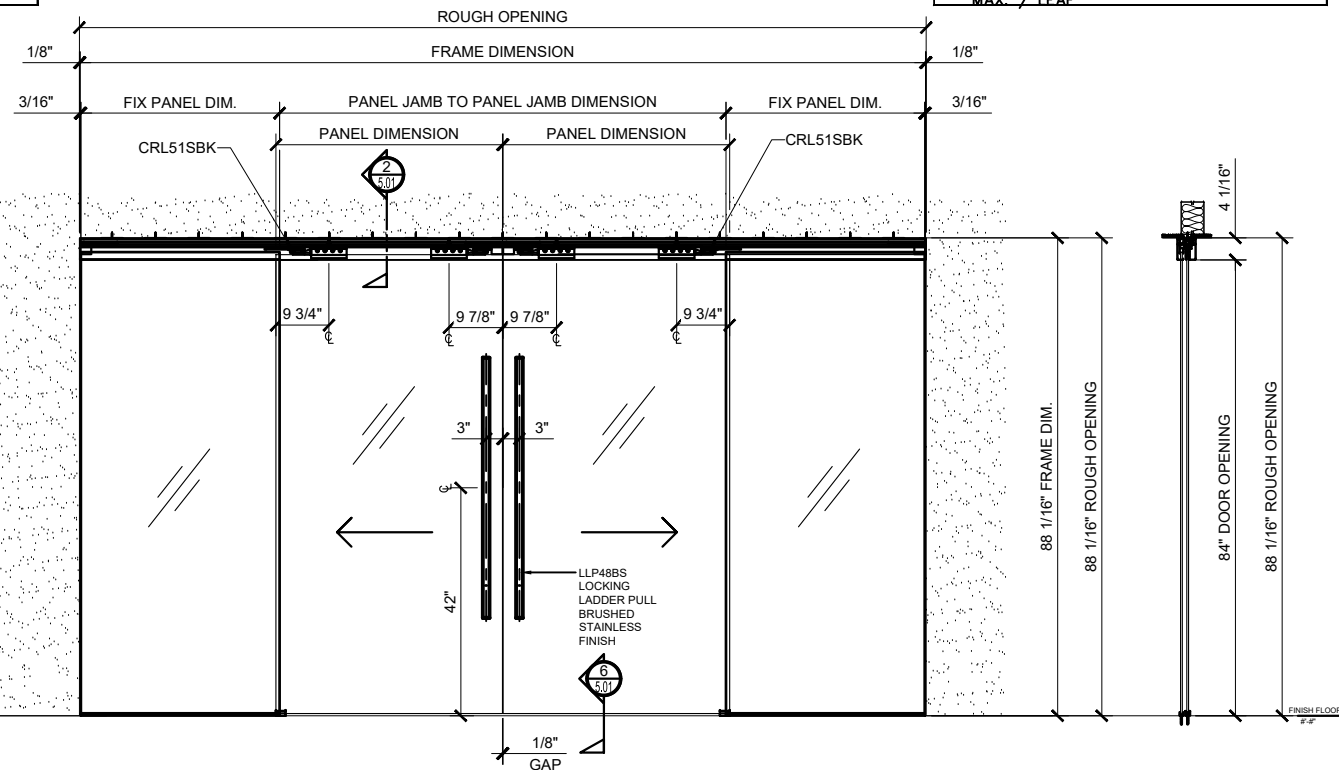
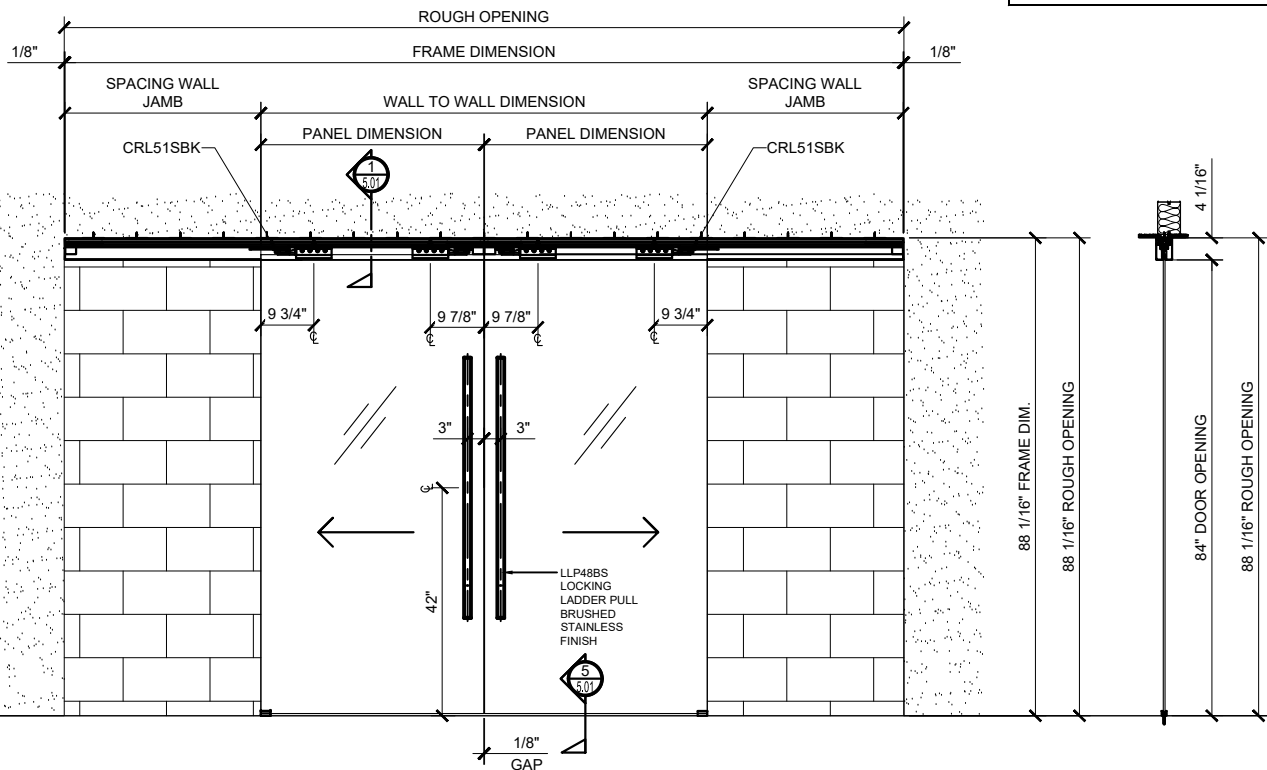


# CRL51 SERIES TOP HUNG SLIDING DOOR SYSTEM ~ CEILING MOUNT

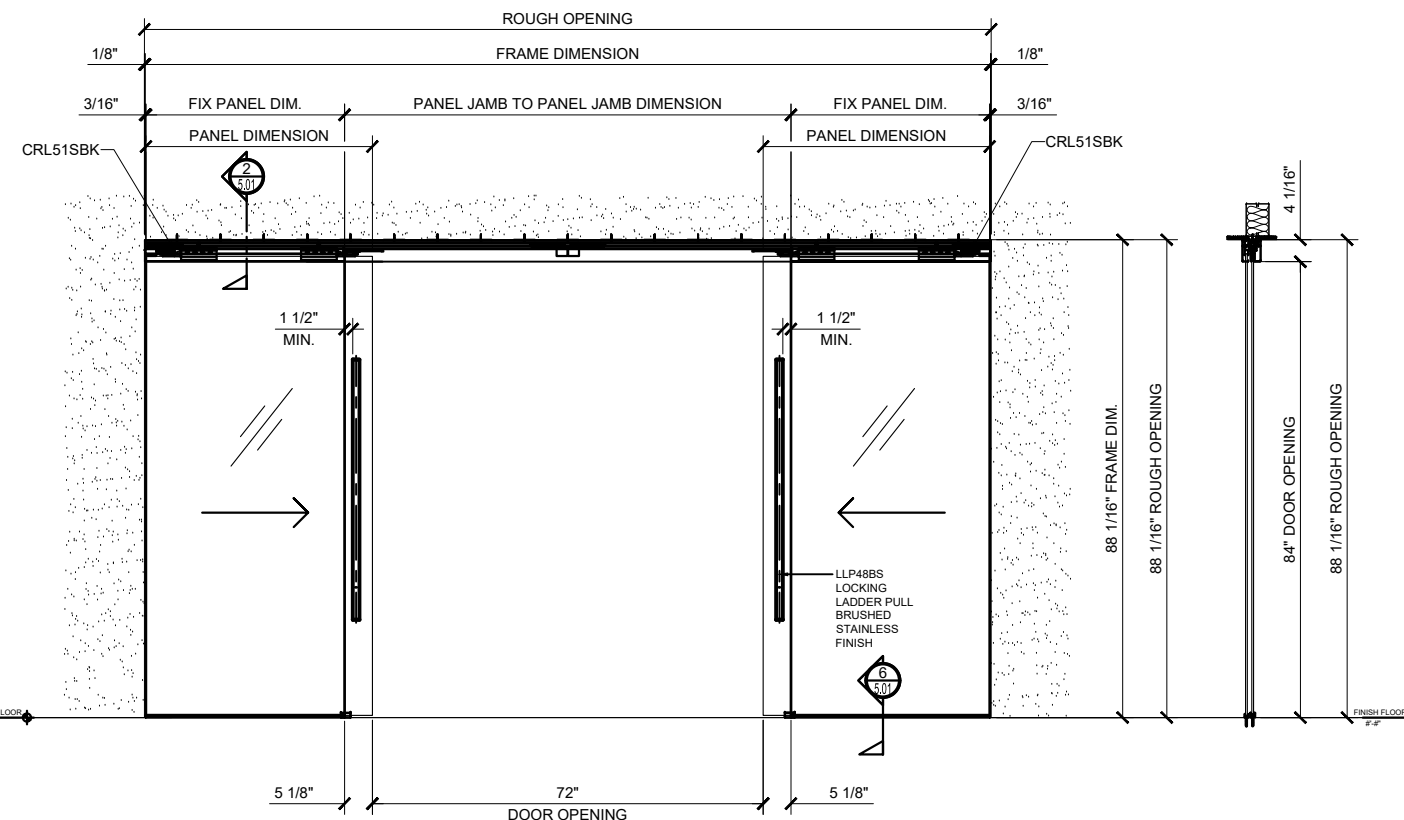
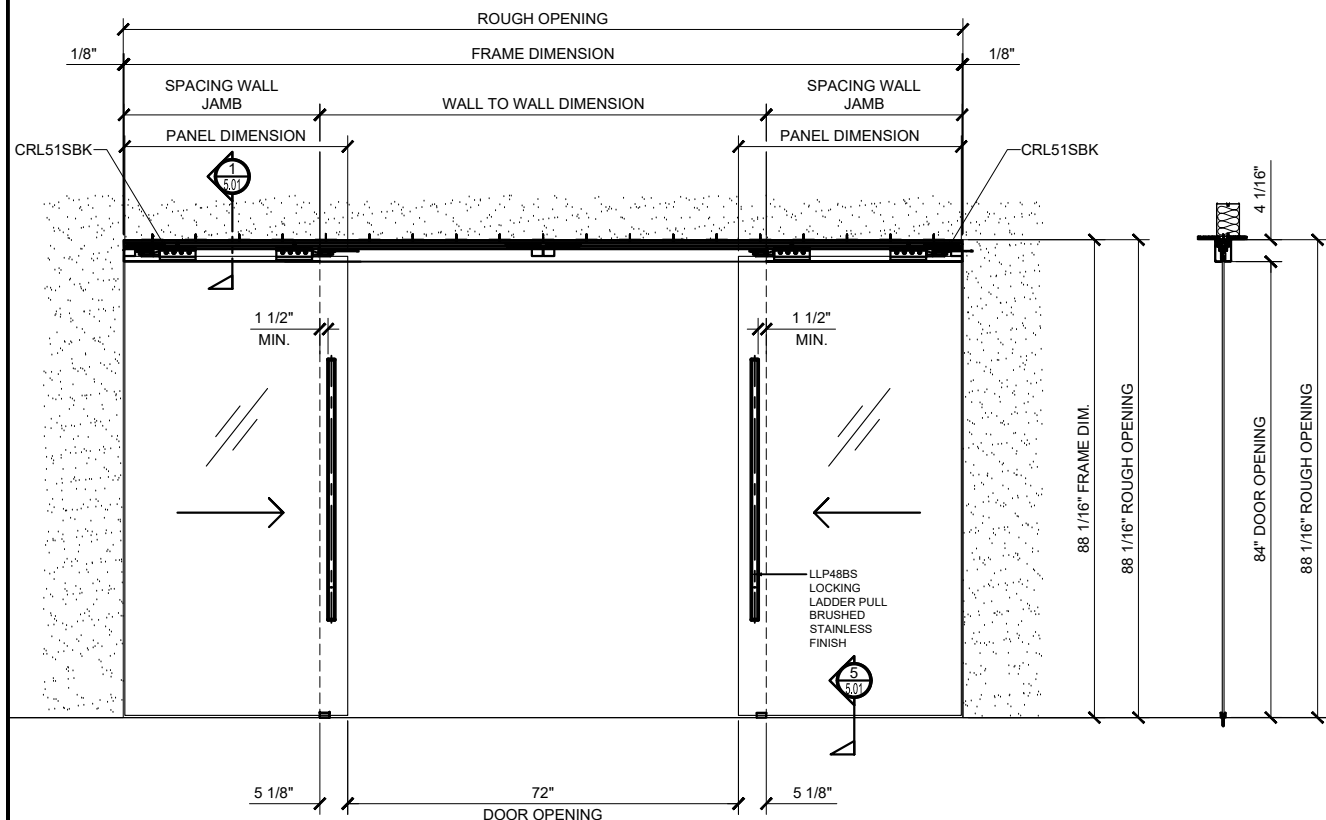
**IMPORTANT NOTE:**  
DIMENSION AND HARDWARE ARE JUST FOR  
INFORMATION ONLY. DO NOT TAKE ANY  
MEASUREMENT FROM THIS DRAWING

**STANDARD PANEL (WIDTH & WEIGHT)  
GUIDELINES**  
PANEL WEIGHT = 170 lbs (MAX.) / LEAF  
PANEL WIDTH = 23 1/2" MIN. ~ 47 1/8"  
" MAX. / LEAF



**① CRL 51 CS2 BI-PARTING SYNC. CEILING MOUNT ~ DOOR CLOSED**  
ARCH REF: NONE 3/4"=1'-0"

**② CRL 512 CS2 BI-PARTING w/ 2 FIXED PANELS SYNC. CEILING MOUNT ~ DOOR CLOSED**  
ARCH REF: NONE 3/4"=1'-0"



**1A CRL 51 CS2 BI-PARTING SYNC. CEILING MOUNT ~ DOOR OPENED**  
ARCH REF: NONE 3/4"=1'-0"

**2A CRL 512 CS2 BI-PARTING w/ 2 FIXED PANELS SYNC. CEILING MOUNT ~ DOOR OPENED**  
ARCH REF: NONE 3/4"=1'-0"

Revisions By:



A CRH COMPANY  
2503 E. Vernon Avenue, Los Angeles, CA 90058-1897  
PH (800)-421-6144 FX: 800-587-7501 www.crlaluminum.com

Description:  
CRL 51 SERIES SLIDER  
FOR GLASS DOORS  
5/16" THK. ~ 3/8" THK. GLASS

Drawn By: CRL  
Date: 02.26.19  
Scale: AS NOTED  
File Name:  
SYS0106B

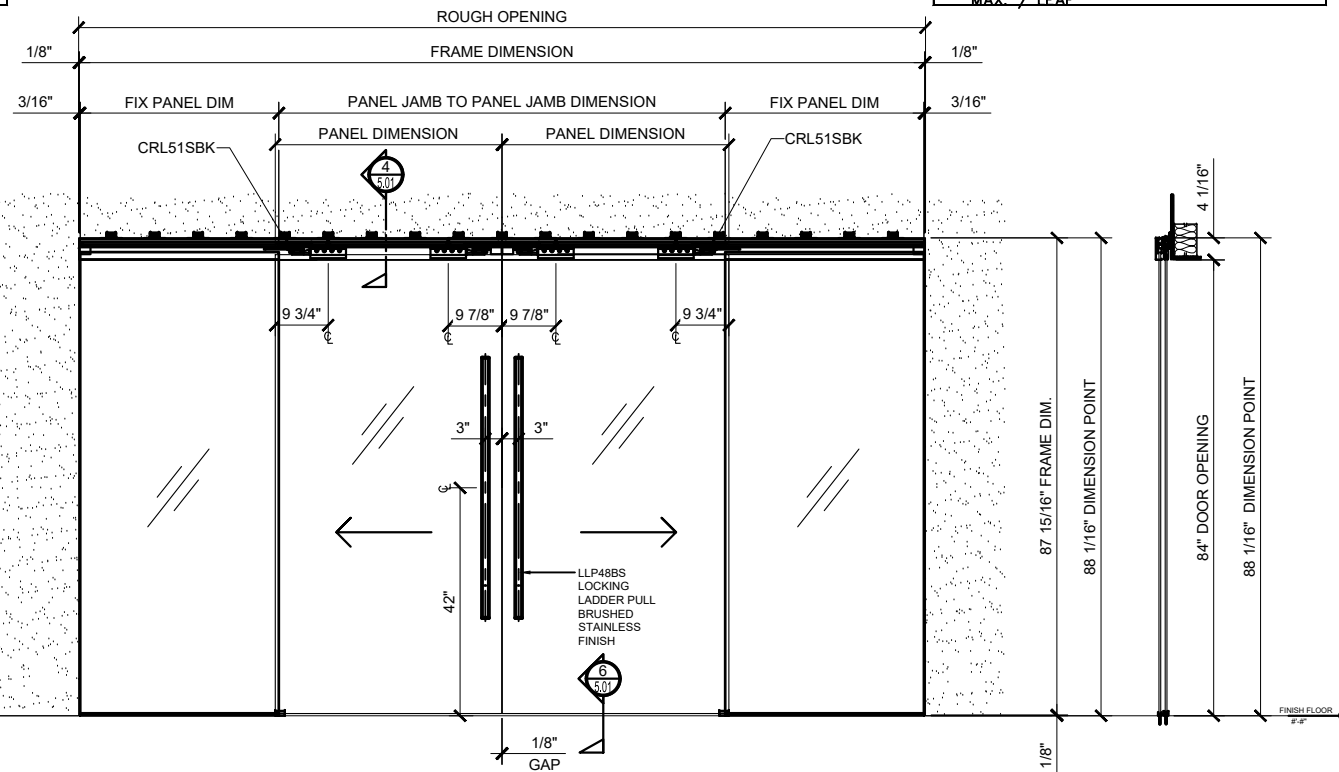
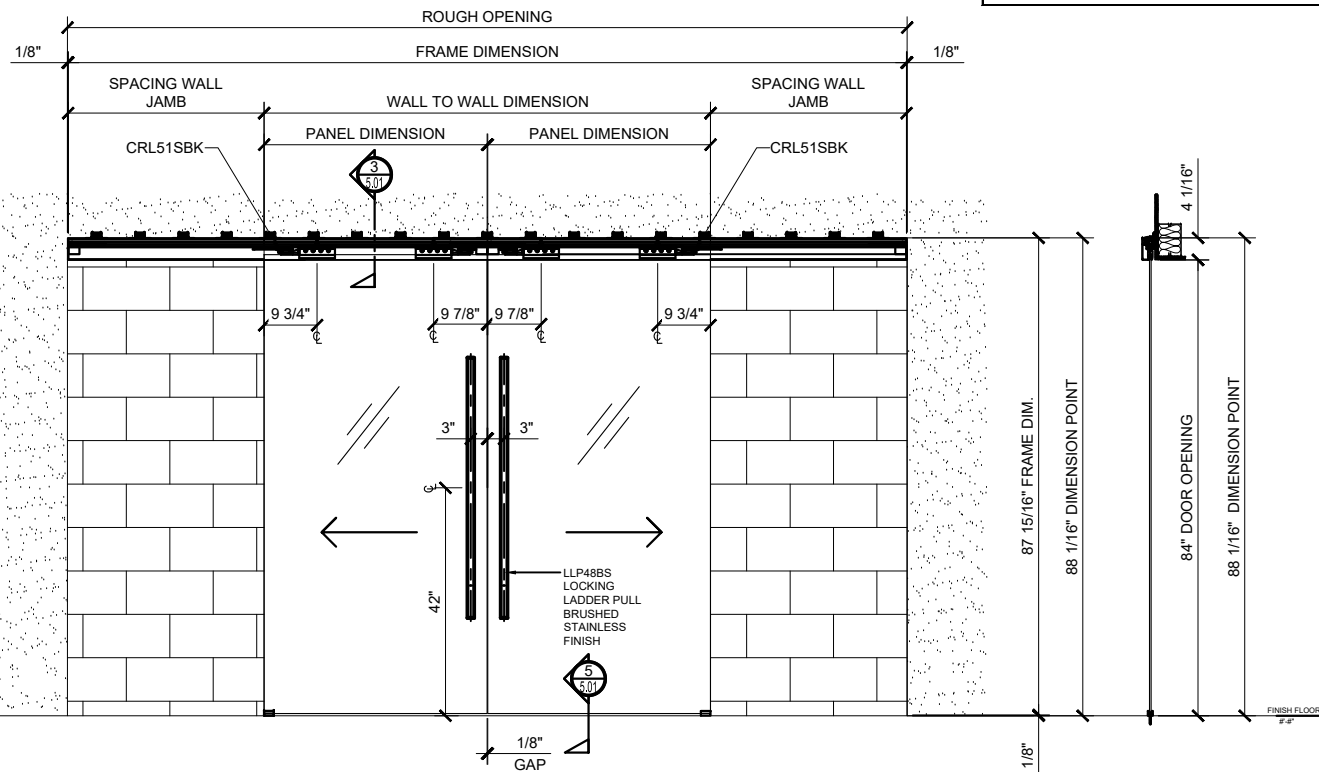
Sheet

2.01

# CRL51 SERIES TOP HUNG SLIDING DOOR SYSTEM

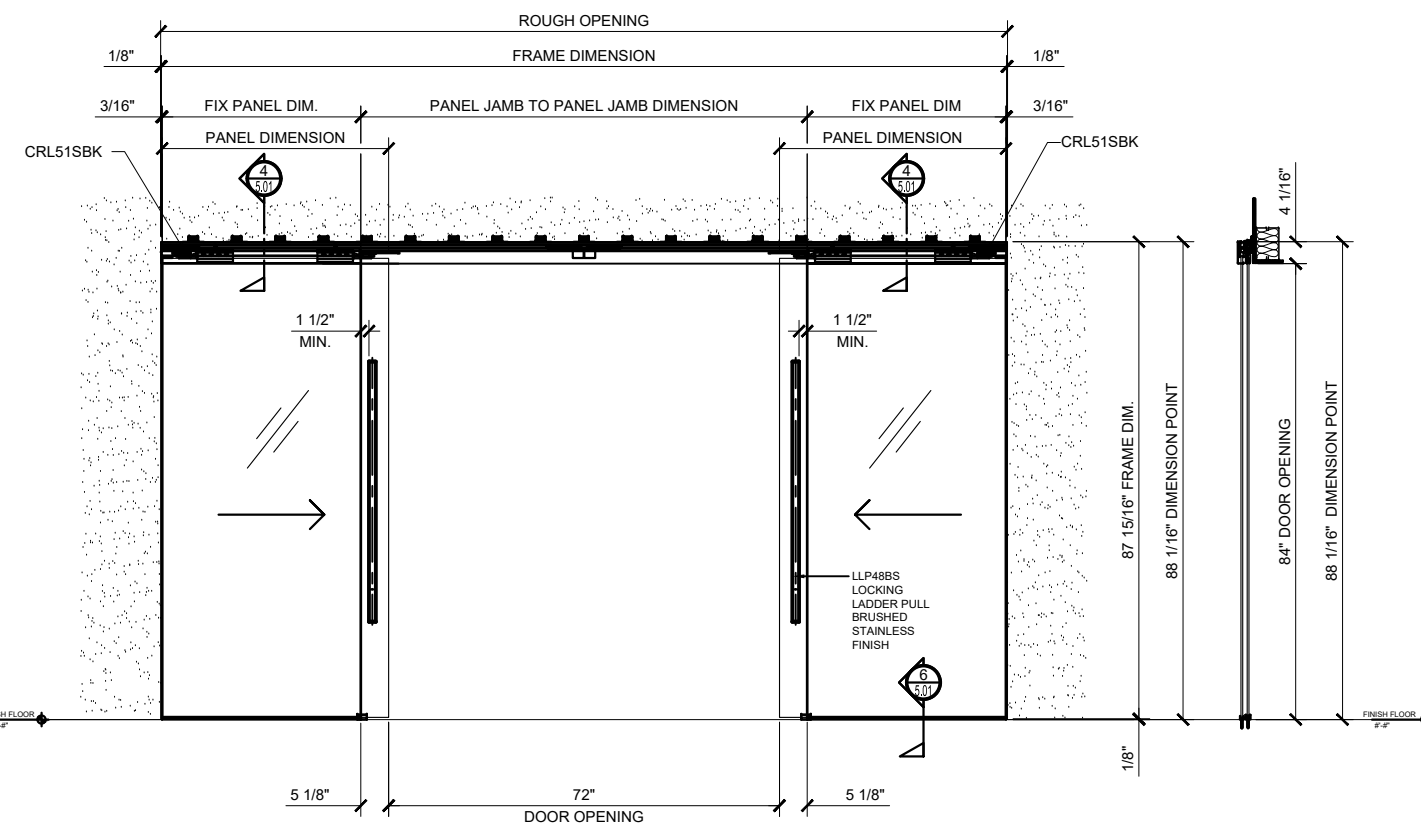
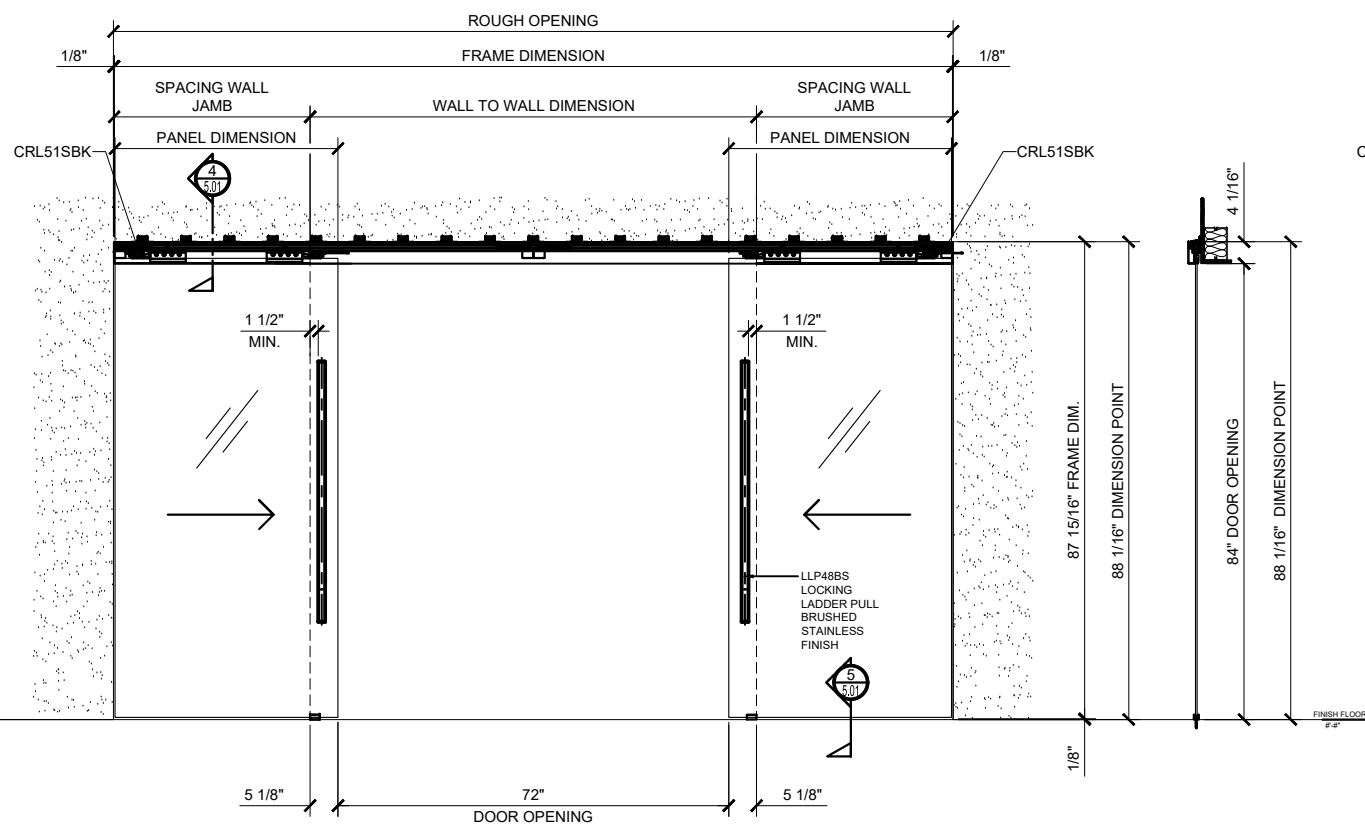
**IMPORTANT NOTE:**  
DIMENSION AND HARDWARE ARE JUST FOR INFORMATION ONLY. DO NOT TAKE ANY MEASUREMENT FROM THIS DRAWING

**STANDARD PANEL (WIDTH & WEIGHT) GUIDELINES**  
 PANEL WEIGHT = 170 lbs (MAX.) / LEAF  
 PANEL WIDTH = 23 1/2" MIN. ~ 47 1/8" MAX. / LEAF



**① CRL 51 S2 BI-PARTING SYNC. WALL MOUNT ~ DOOR CLOSED**  
 ARCH REF: NONE 3/4"=1'-0"

**② CRL 512 S2 BI-PARTING w/ 2 FIXED PANELS SYNC. WALL MOUNT ~ DOOR CLOSED**  
 ARCH REF: NONE 3/4"=1'-0"



**①A CRL 51 S2 BI-PARTING SYNC. WALL MOUNT ~ DOOR OPENED**  
 ARCH REF: NONE 3/4"=1'-0"

**②A CRL 512 S2 BI-PARTING w/ 2 FIXED PANELS SYNC. WALL MOUNT ~ DOOR OPENED**  
 ARCH REF: NONE 3/4"=1'-0"

Revisions By:

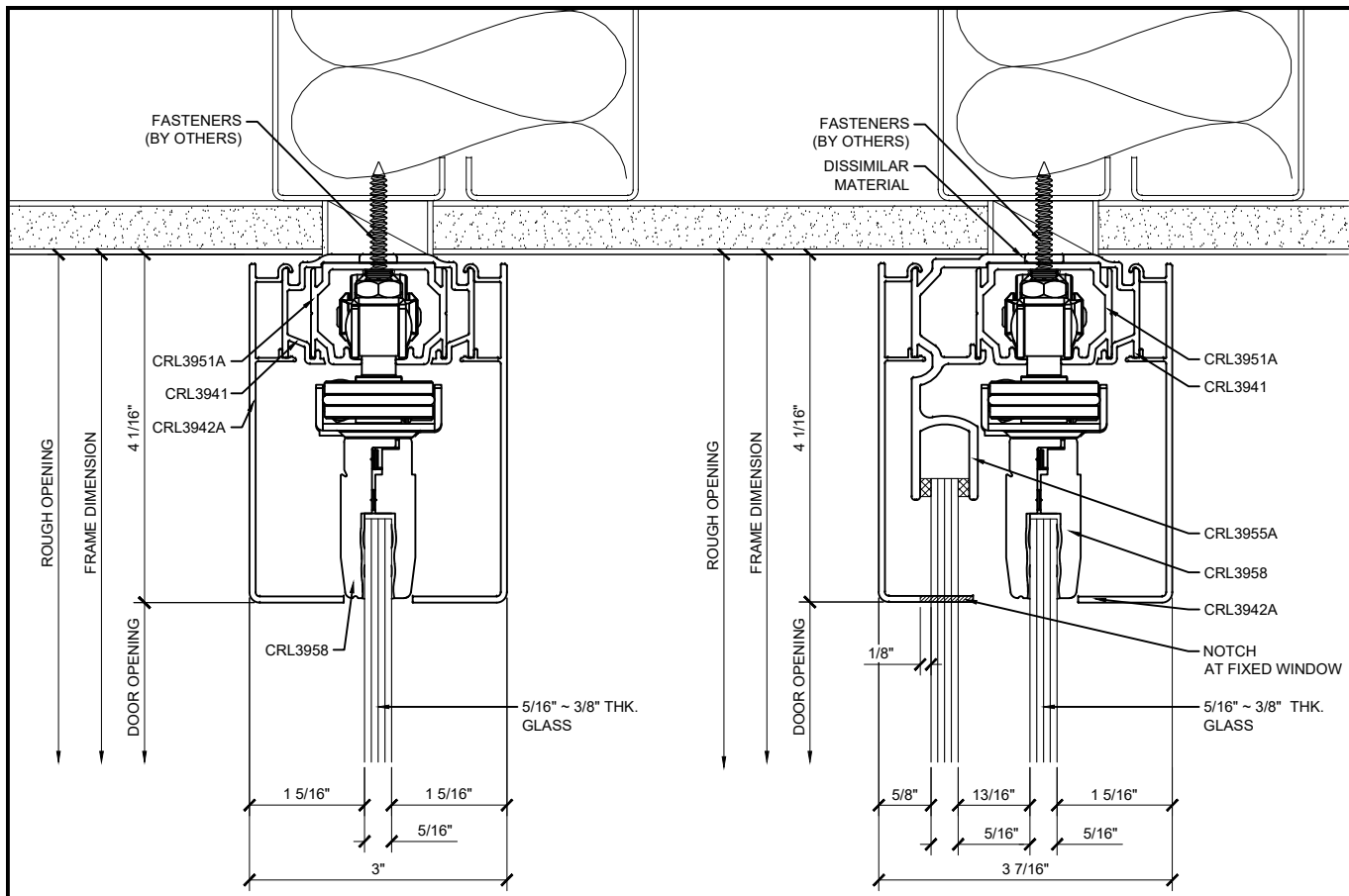


A CRH COMPANY  
 2503 E. Vernon Avenue, Los Angeles, CA 90058-1897  
 PH (800)-421-6144 FX: 800-587-7501 www.crlaluminum.com

Description:  
 CRL 51 SERIES SLIDER  
 FOR GLASS DOORS  
 5/16" THK. ~ 3/8" THK. GLASS

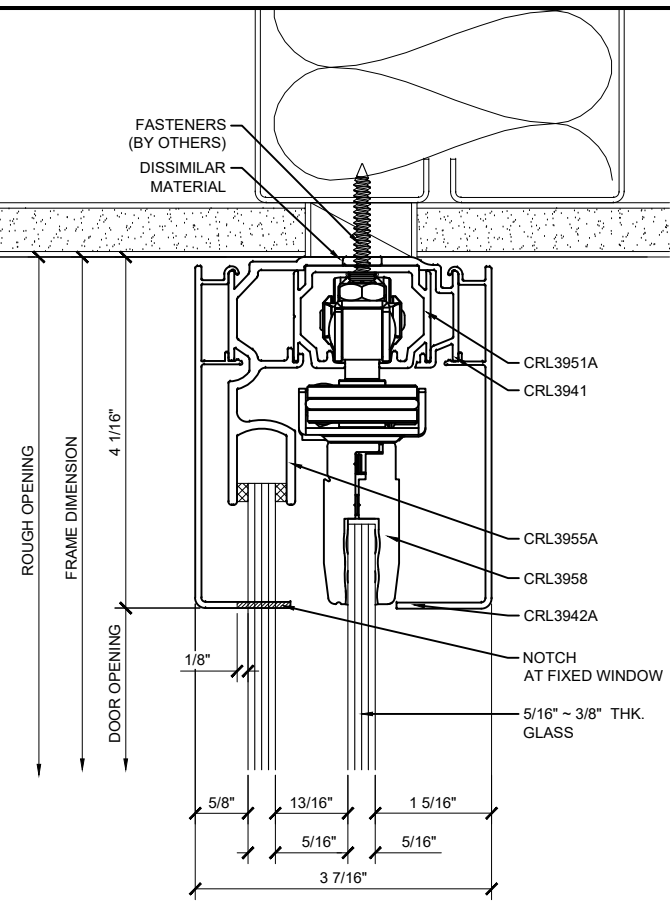
Drawn By: CRL  
 Date: 02.26.19  
 Scale: AS NOTED  
 File Name: SYS0106B

Sheet  
**2.02**



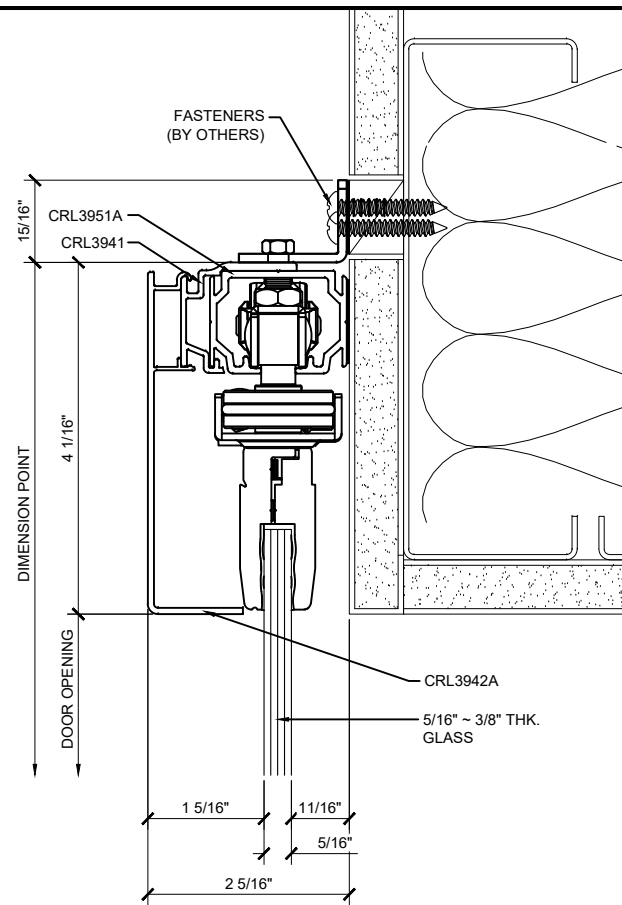
① SECTION DETAIL @ HEAD

ARCH REF: NONE 1'-0"=1'-0"



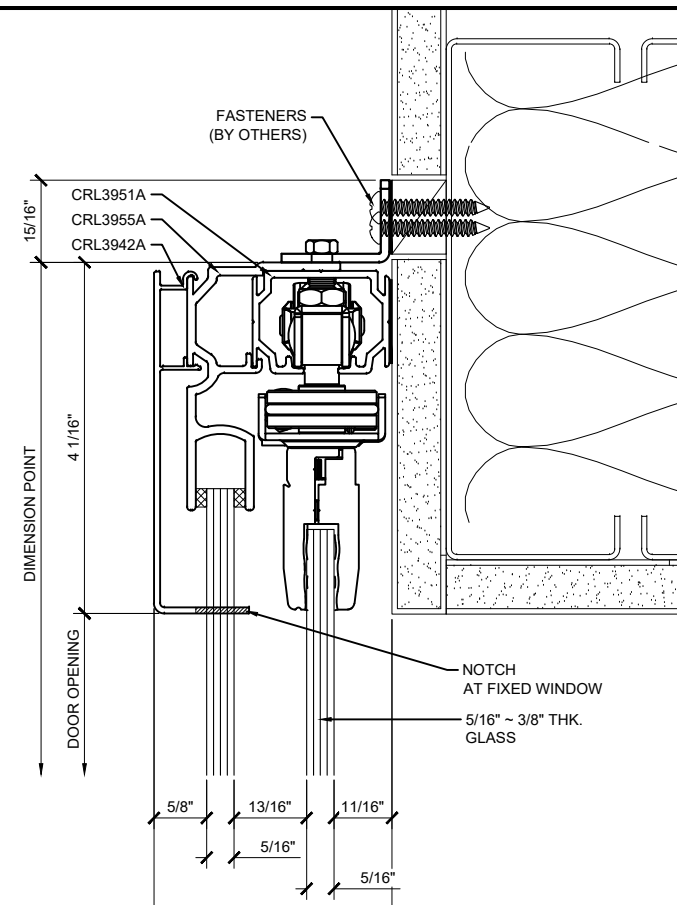
② SECTION DETAIL @ HEAD

ARCH REF: NONE 1'-0"=1'-0"



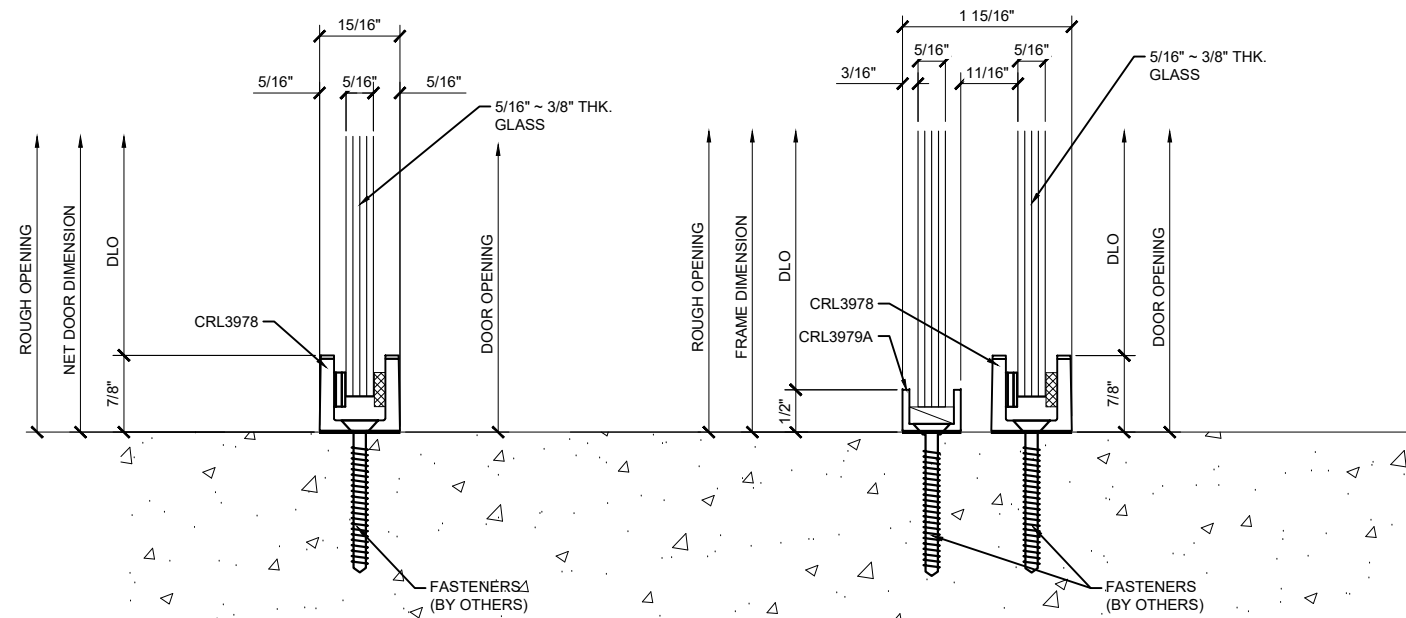
③ SECTION DETAIL @ HEAD

ARCH REF: NONE 1'-0"=1'-0"



④ SECTION DETAIL @ HEAD

ARCH REF: NONE 1'-0"=1'-0"



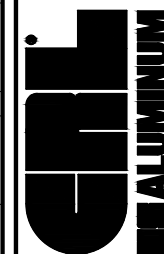
⑤ SECTION DETAIL @ SILL

ARCH REF: NONE 1'-0"=1'-0"

⑥ SECTION DETAIL @ SILL

ARCH REF: NONE 1'-0"=1'-0"

Revisions By:



A CRH COMPANY  
2503 E. Vernon Avenue, Los Angeles, CA 90058-1897  
PH (800)-421-6144 FX: 800-587-7501 www.crlaluminum.com

Description:  
CRL 51 SERIES SLIDER  
FOR GLASS DOORS  
5/16" THK. ~ 3/8" THK. GLASS

Drawn By: CRL  
Date: 02.26.19  
Scale: AS NOTED  
File Name: SYS0106B

Sheet

5.01