

### LIGHT DUTY

Square Corner Style

CAT. NO. EH184 and EH185

**\*NOTE:** Do not exceed either maximum weight or width when choosing proper quantity of hinges.

### Specifications:

Glass Sizes: 1/4" (6mm) to 5/16" (8mm) thick tempered safety glass  
Construction: Solid brass  
Closing Type: Free swinging  
9/16" Diameter Hole Required (No Cutout)  
Includes: Gaskets

### Maximum Door Capacities for Two Hinges or Three Hinges

Maximum Door Weight:	50 lbs. (23 kg)	75 lbs. (34 kg)
Maximum Door Width:	24" (610mm)	24" (610mm)

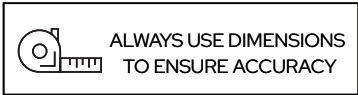
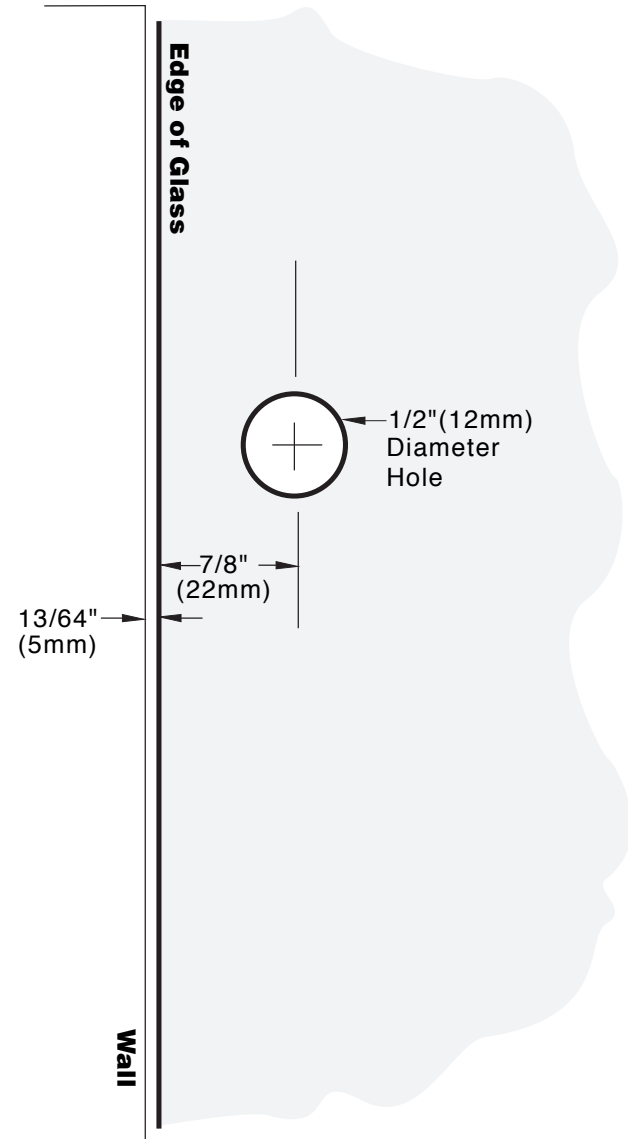
### Use of Gaskets:

For 1/4" (6mm) Glass: Use one thick gasket on each side  
For 5/16" (8mm) Glass: Use one thin gasket on each side

### Recommendations:

For public safety, we recommend the use of only tempered safety glass.  
Do not use power tools when installing these hinges.

**IMPORTANT:** Project measurements from the edge of the glass.



## LIGHT DUTY

Square Corner Style

CAT. NO. EH184 and EH185