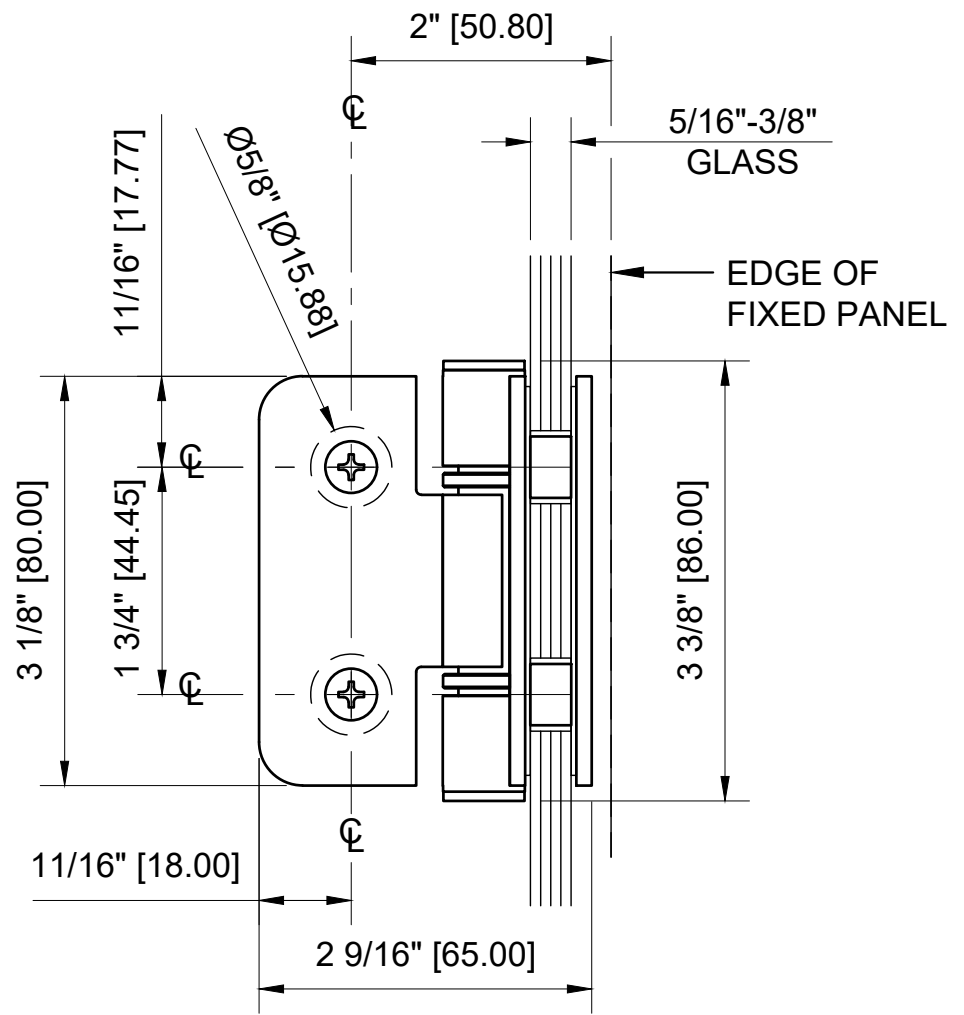
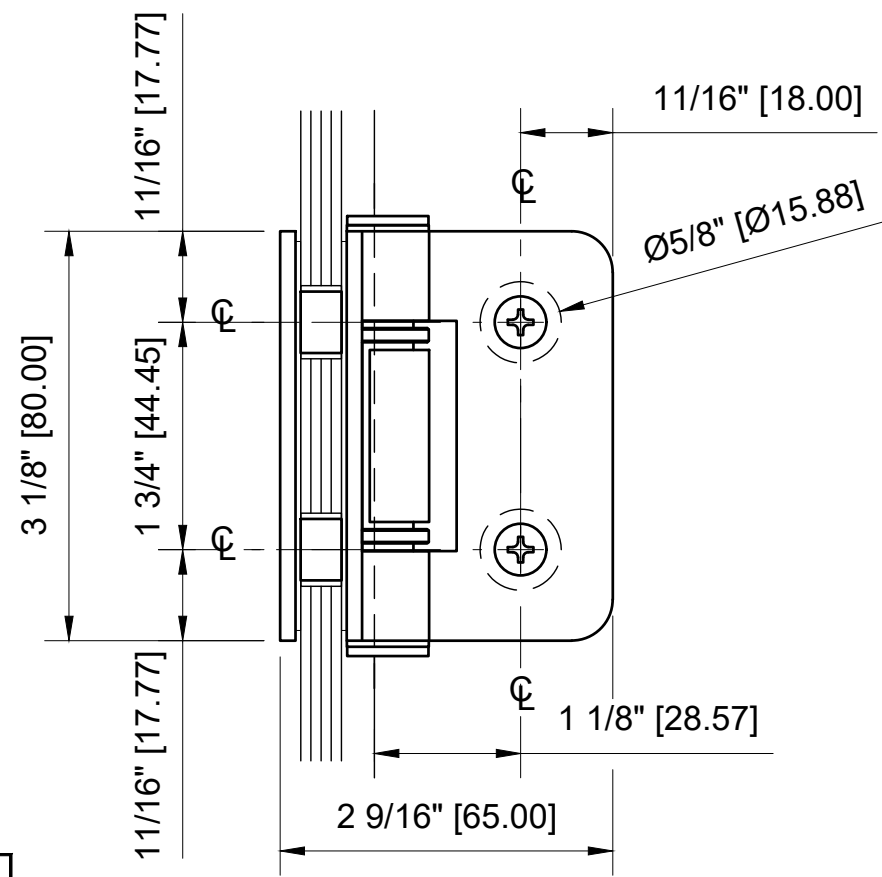
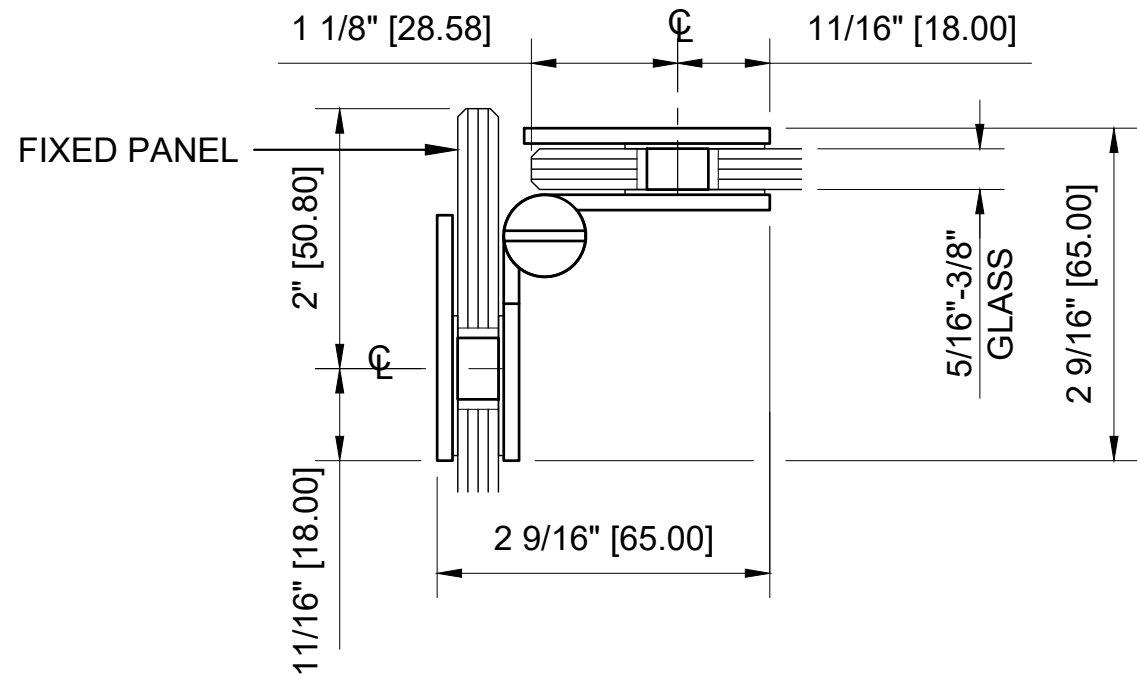


USE OF GASKETS  
 FOR 5/16" (8mm) GLASS: USE ONE THICK GASKET ON EACH SIDE  
 FOR 3/8" (10mm) GLASS: USE ONE THIN GASKET ON EACH SIDE



ZUR04XX - CRL ZURICH SERIES GLASS TO GLASS MOUNT 90° IN-SWING HINGE

CATALOG NUMBER	FINISH
ZUR04PS	POLISHED STAINLESS
ZUR04BR	POLISHED BRASS
ZUR04GP	GOLD PLATE
ZUR04SS	BRUSHED STAINLESS

DATE: 9/9/19  
 SCALE: 6"=1'-0"  
 DRAWN BY: VM

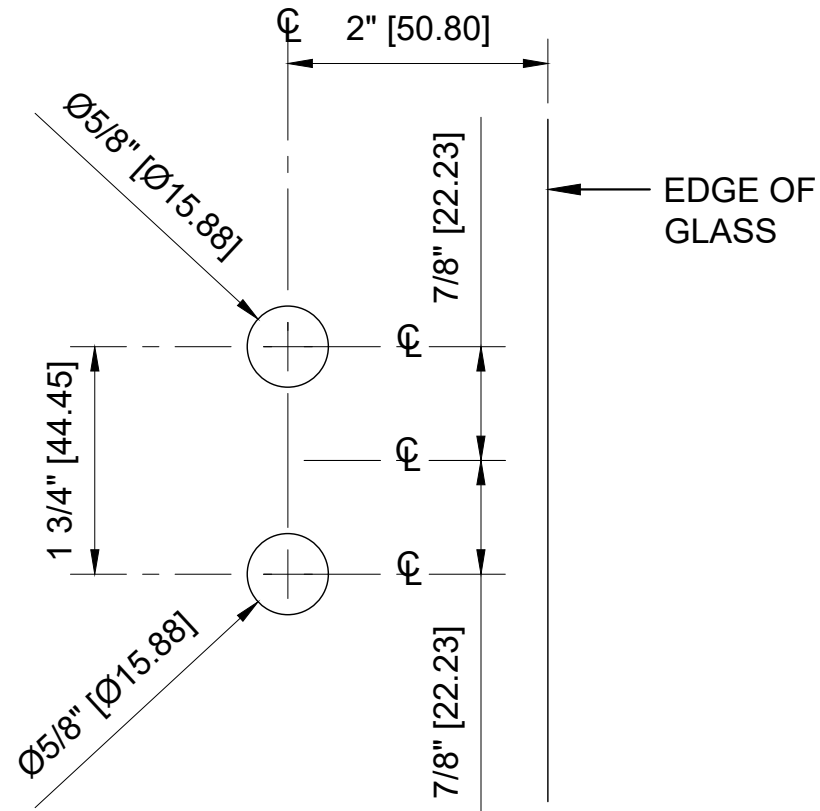
DESCRIPTION: CRL ZURICH SERIES HINGE  
 ZUR04 - GLASS TO GLASS MOUNT  
 90 DEGREE IN-SWING HINGE

C.R. LAURENCE CO. ARCHITECTURAL PRODUCTS  
 2503 E. Vernon Avenue, Los Angeles, CA 90058-1897  
 PH (800)-421-6144 FX: 800-587-7501 www.crlaurence.com

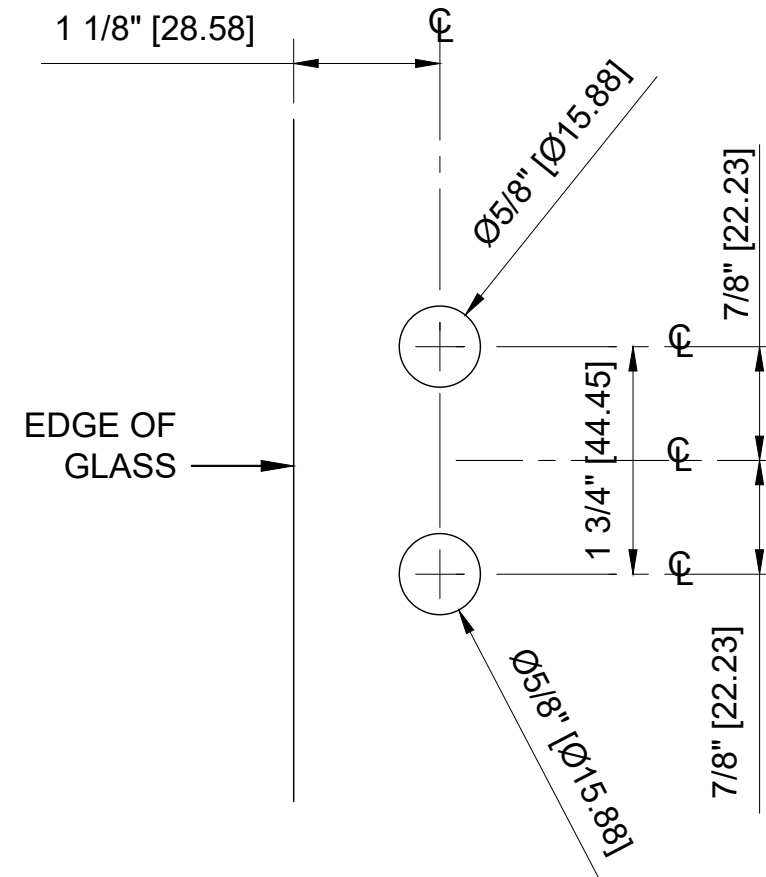


USE OF GASKETS

FOR 5/16" (8mm) GLASS: USE ONE THICK GASKET ON EACH SIDE  
 FOR 3/8" (10mm) GLASS: USE ONE THIN GASKET ON EACH SIDE



FIXED PANEL "A"  
GLASS FABRICATION TEMPLATE



DOOR PANEL "B"  
GLASS FABRICATION TEMPLATE

CATALOG NUMBER	FINISH
ZUR04PS	POLISHED STAINLESS
ZUR04BR	POLISHED BRASS
ZUR04BN	BRUSHED NICKEL
ZUR04GP	GOLD PLATE
ZUR04PN	POLISHED NICKEL
ZUR04SS	BRUSHED STAINLESS

ZUR04XX - CRL ZURICH SERIES GLASS TO GLASS MOUNT 90° IN-SWING HINGE

DESCRIPTION: CRL ZURICH SERIES HINGE  
 ZUR04 - GLASS TO GLASS MOUNT  
 90 DEGREE IN-SWING HINGE

CTS  
 www.crlaurence.com

C.R. LAURENCE CO. ARCHITECTURAL PRODUCTS  
 2503 E. Vernon Avenue, Los Angeles, C.A 90058-1897  
 PH (800)-421-6144 FX: 800-587-7501



DATE: 9/9/19  
 SCALE: 6"=1'-0"  
 DRAWN BY: VM