

JULY 2020

# Hydraulic Crimping Tool



Due to continuing improvements, actual product may differ slightly from the product described herein.

Cat. No. CBLHCT1



Read this manual before using the product. Failure to do so can result in serious injury.

**SAVE THIS MANUAL**

JULY 2020

## SAVE THIS MANUAL

Keep this manual for the safety warnings, precautions, assembly, operating, inspection, maintenance and cleaning procedures. Write the month and year of purchase. Keep this manual and the receipt in a safe and dry place for future reference.

## IMPORTANT SAFETY INFORMATION

In this manual, on the labeling, and all other information provided with this product:



This is the safety alert symbol. It is used to alert you to potential personal injury hazards. Obey all safety instructions that follow this symbol to avoid possible injury or death.



DANGER indicates a hazardous situation which, if not avoided, will result in death or serious injury.



WARNING indicates a hazardous situation which, if not avoided, could result in death or serious injury.



CAUTION, used with the safety alert symbol, indicates a hazardous situation which, if not avoided, could result in minor or moderate injury.

JULY 2020

## LIMITED 1 YEAR WARRANTY

We make every effort to assure that products meet high quality and durability standards, and warrants to the original purchaser that this product is free from defects in materials and workmanship for the period of one year from the date of purchase. This warranty does not apply to damage due directly or indirectly, by misuse, abuse, negligence or accidents, repairs or alterations outside our facilities, normal wear and tear, or to lack of maintenance. We shall in no event be liable for death, injuries to persons or property, or for incidental, contingent, special or consequential damages arising from the use of our product. Some states do not allow the exclusion or limitation of incidental or consequential damages, so the above limitation of exclusion may not apply to you. THIS WARRANTY IS EXPRESSLY IN LIEU OF ALL OTHER WARRANTIES, EXPRESSED OR IMPLIED, INCLUDING THE WARRANTIES OF MERCHANTABILITY AND FITNESS.

To take advantage of this warranty, the product or part must be returned to us with transportation charges prepaid. Proof of purchase date and an explanation of the complaint must accompany the merchandise. If our inspection verifies the defect, we will either repair or replace the product at our discretion or we may elect to refund the purchase price if we cannot readily and quickly provide you with a replacement. We will return warranty repaired products at our expense, but if we determine there is no defect, or that the defect resulted from causes not within the scope of our warranty, then you must bear the cost of returning the product.

The warranties give you specific legal rights and you may also have other rights which vary by region.

## PLEASE READ THE FOLLOWING CAREFULLY

THE MANUFACTURER AND/OR DISTRIBUTOR HAS PROVIDED THE PARTS LIST AND ASSEMBLY DIAGRAM IN THIS MANUAL AS A REFERENCE TOOL ONLY. NEITHER THE MANUFACTURER NOR DISTRIBUTOR MAKES ANY REPRESENTATION OR WARRANTY OF ANY KIND TO THE BUYER THAT HE OR SHE IS QUALIFIED TO MAKE ANY REPAIRS TO THE PRODUCT, OR THAT HE OR SHE IS QUALIFIED TO REPLACE ANY PARTS OF THE PRODUCT. IN FACT, THE MANUFACTURER AND/OR DISTRIBUTOR EXPRESSLY STATE THAT ALL REPAIRS AND PART REPLACEMENTS SHOULD BE UNDERTAKEN BY CERTIFIED AND LICENSED TECHNICIANS, AND NOT BY THE BUYER. THE BUYER ASSUMES ALL RISK AND LIABILITY ARISING OUT OF HIS OR HER REPAIRS TO THE ORIGINAL PRODUCT OR REPLACEMENT PARTS THERETO, OR ARISING OUT OF HIS OR HER INSTALLATION OF REPLACEMENT PARTS THERETO.

JULY 2020

## GENERAL SAFETY RULES

For safe work conditions and proper operation when using this tool, it is important to read, understand and follow the instructions carefully. Failure to do so may result in serious injury or death and may void the warranty.

### 1. WORK AREA SAFETY

- a. Keep work area clean and well lit. Cluttered or dark areas invite accidents.
- b. Keep children and bystanders away while operating, distractions may cause you to lose control.

### 2. PERSONAL SAFETY

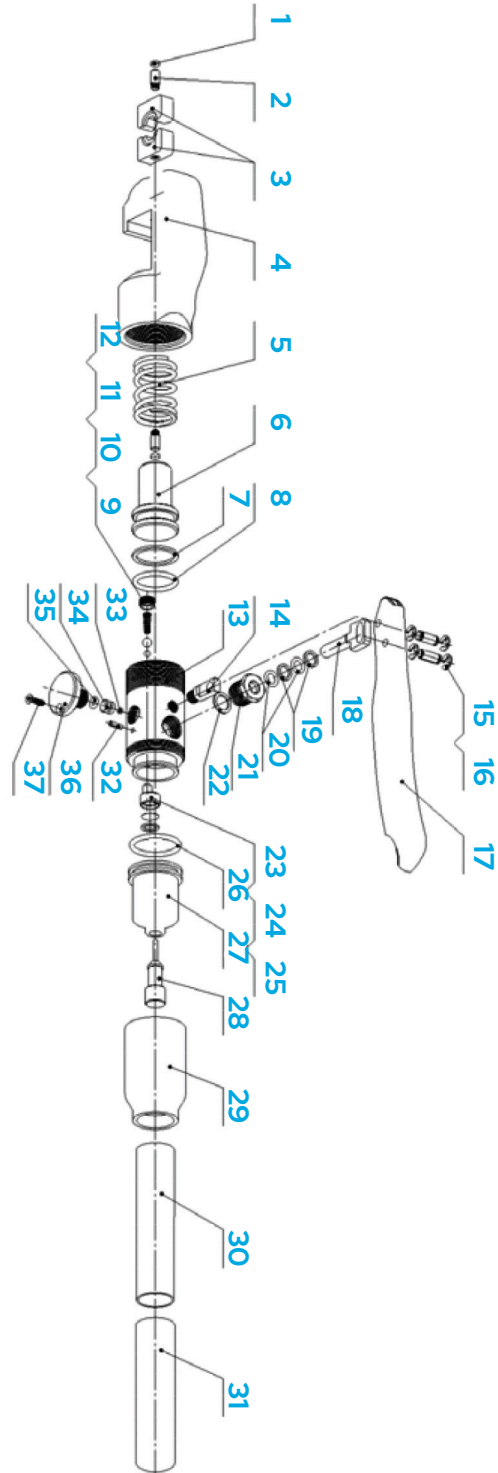
- c. Stay alert, watch what you are doing and use common sense when operating the tool. Do not use the tool while you are tired or under the influence of drugs, alcohol or medication. A moment of inattention while operating hydraulic tools may result in serious personal injury.
- d. Use safety equipment. Always wear eye protection. Safety equipment such as dust mask, non-skid shoes, hard hat, or hearing protection used for appropriate conditions will reduce personal injuries.
- e. Dress properly. Do not wear loose clothing or jewelry. Keep your hair, clothing and gloves away from moving parts. Loose clothes, jewelry or long hair can be caught in moving parts.
- f. Do not force the tool. Use the correct power tool for your application. The correct power tool will do the job better and safer at the rate for which it was designed.
- g. Store idle power tools out of the reach of children and do not allow untrained personnel to use the hydraulic crimping tool. This tool is dangerous in the hands of untrained users
- h. Maintain power tools. Check for misalignment or binding of moving parts, breakage of parts and any other condition that may affect the Hydraulic crimping tool operation. If damaged, have the Hydraulic crimping tool repaired before use. Many accidents are caused by poorly maintained power tools.
- i. Use the Hydraulic Crimping Tool, accessories and tool bits, etc., in accordance with these instructions and in the manner intended for the particular type of tool, taking into account the working conditions and the work to be performed. Use of the Hydraulic Crimping tool for operations different from those intended could result in a hazardous situation.

### 3. SERVICE

Have your Hydraulic Crimping Tool serviced by a qualified service technician using only identical replacement parts. This will ensure that the safety of the Hydraulic Crimping Tool Kit is maintained.

JULY 2020

No.	DESCRIPTION	QUANTITY
1	Magnet part	2
2	Pin	2
3	Die	1 Set
4	Head	1
5	Spring	1
6	Piston	1
7	Plastic retainer ring	1
8	O-ring	1
9	Valve	1
10	Spring	1
11	Steel ball	1
12	Steel ball	1
13	Cylinder	1
14	Stander	1
15	Pin	2
16	Retainer ring	4
17	Active handle	1
18	Plunger	1
19	Retainer ring	2
20	O-ring	2
21	Bolt	1
22	Copper gasket	1
23	Fliter	1
24	Fliter sieve	1
25	Plastic retainer ring	1
26	O-ring	1
27	Oil tube	1
28	Faucet	1
29	Housing	1
30	Fixed handle	1
31	Handle sleeve	1
32	Pin	1
33	Steel ball	1
34	Plunger	1
35	O-ring	1
36	Screw	1
37	Bolt	1



JULY 2020

## SPECIFIC SAFETY RULES

1. Maintain labels and nameplates on the tool which carry important safety information.
2. This product is not a toy, keep it out of reach of children.
3. Do not slide your fingers in the die's profile.
4. Do not put your fingers in the head of the hydraulic crimping tool when you slide the dies inside it. Your fingers could be pinched very severely.
5. Do not use the tool without dies.
6. Do not crimp on live cables or conductors.
7. Only crimp copper or Al conducting material.
8. The warnings, precautions, and instructions discussed in this instruction manual cannot cover all possible conditions and situations that may occur. It must be understood by the operator that common sense and caution are factors which cannot be built into this product, but must be applied by the operator.



**SAVE THIS INSTRUCTION**

## UNDERSTAND YOUR TOOL

The tool is for connecting lugs and cable. It carries many advantages of good design, easy operation, high pressure, high efficiency, etc. It is a perfect tool to be used in electrical construction sites..

## SPECIFICATIONS

Crimping range:	Cu 4-70 mm <sup>2</sup>
Crimping force:	45KN
Crimping type:	Hexagon crimping
Stroke:	11 mm
Hydraulic oil:	T 15#
Working temperature:	-20 °C- 40 °C
Length:	Approx. 12.2" (310 mm)
Weight:	Approx. 3.96 lbs. (1.80 kg)
Package:	Plastic box
Weight of box:	Approx. 1.70 lbs (0.77 kg)
Accessories	
Crimping die	4, 6, 8, 10, 16, 25, 35, 50, 70 mm <sup>2</sup>
Sealing o-ring:	One set



Dust or air inside the tool may damage the sealing kit causing the tool to lose function. Make sure the oil is clean and no dust enters the oil when changing it. Wait for a while and exhaust the oil completely out of the oil tube before inserting the oil plug.

JULY 2020

**⚠ CAUTION**

Please wear rubber gloves to avoid skin touching the oil directly. If contact occurs, please wash the skin with soap and water in a timely manner. In order to protect the environment, please drain the waste oil in a treatment center in accordance with local and state regulation.

**TROUBLESHOOTING**

FAULT	ANALYSIS	SOLUTION
A. No pressure or the pressure is not enough during operation.	1. The pump lacks oil. 2. There is dust in the oil. 3. Inner leakage.	1. Fill or replace the oil. 2. Contact manufacturer or distributor.
B. The lug and wire do not connect tightly after crimping.	1. The tool cannot reach the rated pressure. 2. Using the wrong die.	1. Refer to fault A. 2. Replace with the right die.
C. Generates a lot of burrs after crimping.	1. Using the wrong die.	1. Replace with the right die.
D. Oil leakage on the head or on the ram.	1. Sealing kit broken.	1. Contact manufacturer or distributor and replace it by trained personnel.

**MAINTENANCE AND SERVICING**

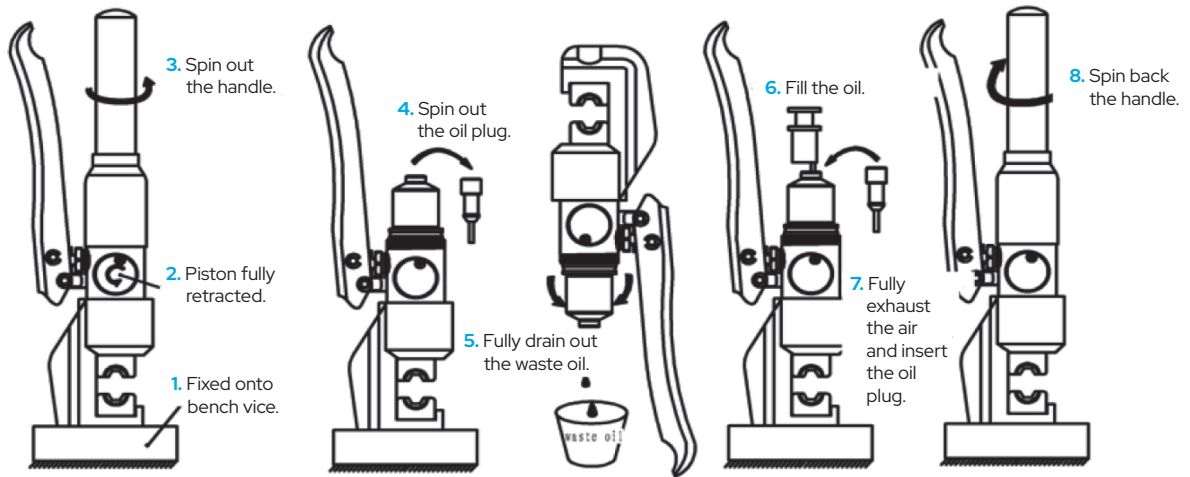
**⚠ WARNING**

Damaged equipment may cause serious personal injury. Do not use damaged equipment. If abnormal noise or vibration occurs, have the problem corrected before using the tool.

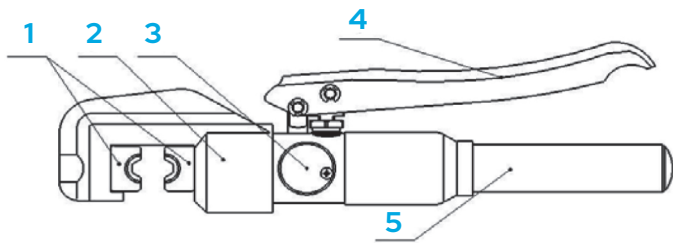
1. Before each use, inspect the general condition of the tool. Check for loose screws, misalignment or binding of moving parts, cracked or broken parts, or any other condition that may affect its safe operation.
2. After using, clean external surfaces of the tool with a clean, moist rag, and wipe rust preventing oil on the metal surface of the tool and the dies to avoid rust. Store the tool in a dry environment.
3. Service to the tool should only be done by a qualified Service Technician.
4. In order to prolong the life of the tool please change the oil every year. Make sure the oil is filtered by 120 mesh net or over 30µm strainer. Avoid dust from entering into the oil cup.

JULY 2020

**HOW TO CHANGE OIL**



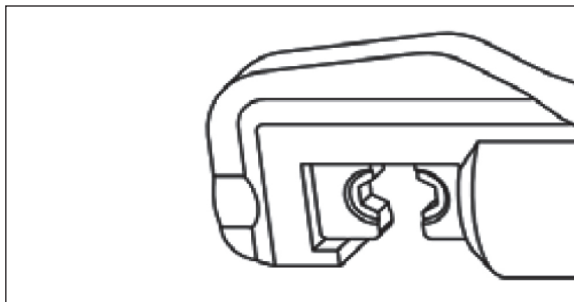
**1. DESCRIPTION OF COMPONENTS**



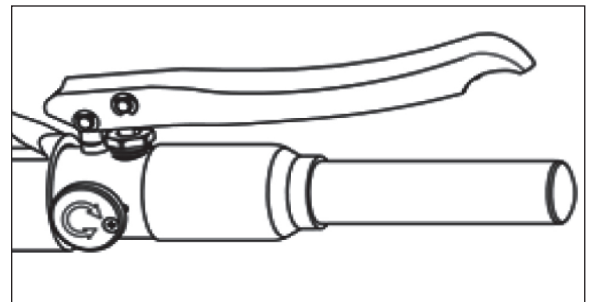
ITEM NO.	DESCRIPTION	FUNCTION
1	Die	For crimping, interchangeable crimping dies
2	Down die holder	For fixing the down die
3	Screw	For returning piston and releasing pressure
4	Active handle	For operating
5	Fixed handle	For storing oil

**2. FUNCTION DESCRIPTION**

**1. "C" Type Crimping Head**



**2. Release Pressure Manually**





JULY 2020

## OPERATING INSTRUCTIONS

Read the entire SAFETY INFORMATION section at the beginning of this manual including all text under subheadings therein before using this product.

### **⚠ CAUTION**

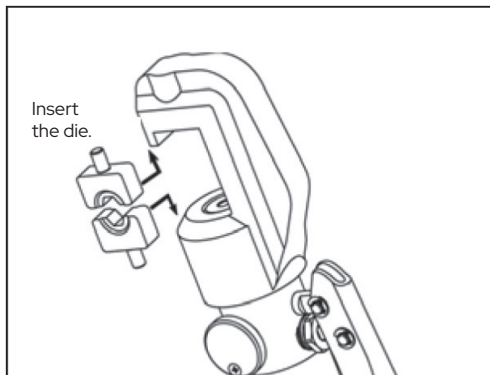
Please do not knock any part of the tool, otherwise it is dangerous for operator.

1. Select the appropriate die set. Ask an authorized facility or distributor to choose proper compression die set for the connector and cable being used.

### **⚠ CAUTION**

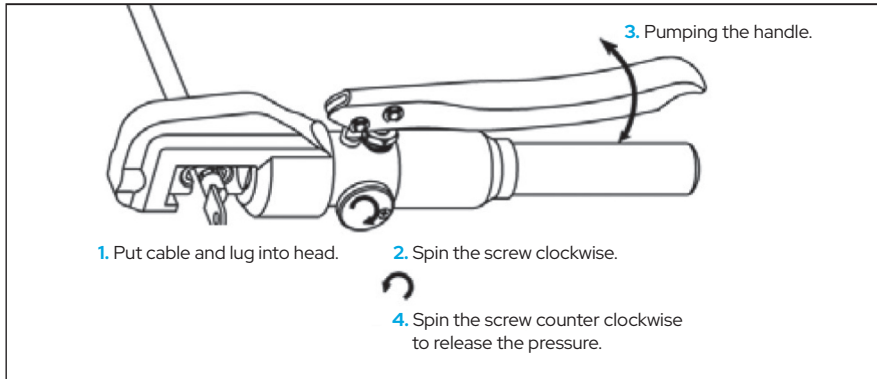
Don't operate the tool without dies.

2. Insert the upper crimping die and the down crimping die to match the die holder when both die halves are in place.
3. Make sure both dies halves are secured before operating the tool.
4. Fully insert the cable into the barrel of the connector.
5. Place the connector between the dies. Pump the handle until it reaches the maximum pressure, then spin the dial to release the pressure manually.



JULY 2020

6. The piston will retract, take out the connector, the tool is ready for its next cycle.



**CAUTION**

The tool is not insulated, DO NOT USE it on live conductors to avoid injury or death.

**DANGER**

Do not put your fingers into the head of the tool during operating. Your fingers could be pinched very severely.

