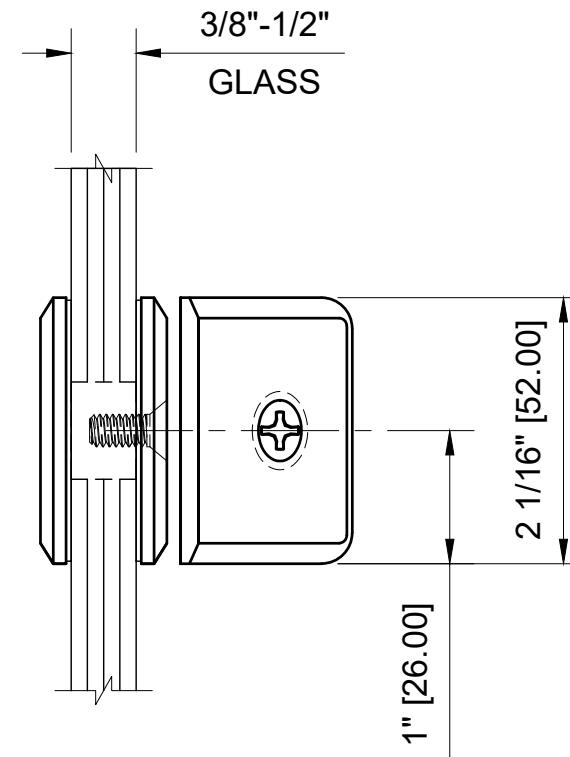
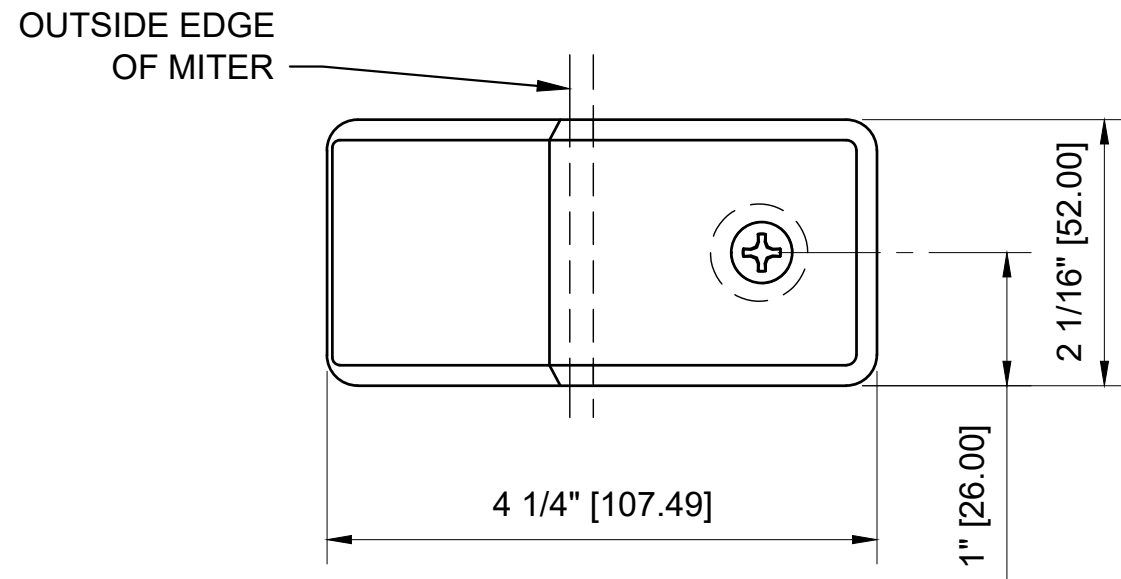
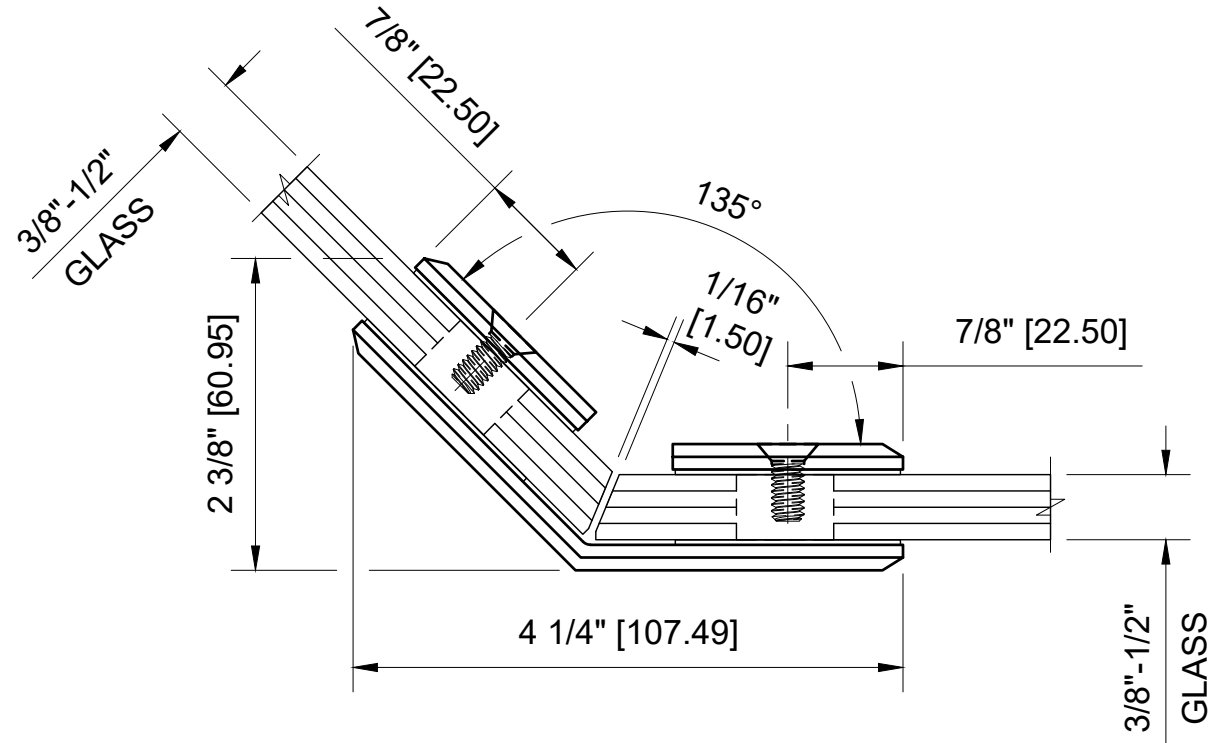


USE OF GASKETS

FOR 3/8" (10mm) GLASS:  
 FOR 1/2" (12mm) GLASS:



**BGC135XX - CRL BEVELED STYLE 135 DEGREE GLASS TO GLASS MOUNT CLAMP**

DATE: 2-5-2020  
 SCALE: 6"=1'-0"  
 DRAWN BY: VM

DESCRIPTION: CRL BEVELED STYLE 135° CLAMP  
 CTS  
 BGC135\_\_ GLASS TO GLASS MOUNT

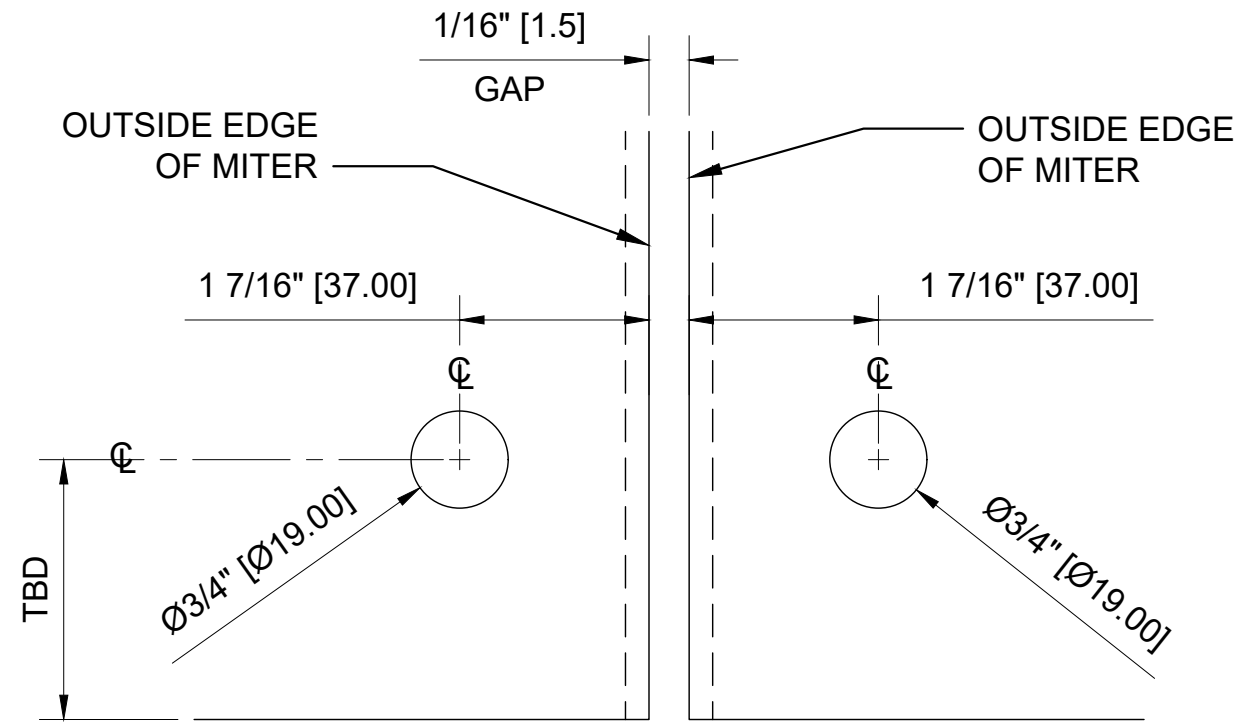
C.R. LAURENCE CO. ARCHITECTURAL PRODUCTS  
 2503 E. Vernon Avenue, Los Angeles, C.A 90058-1897  
 PH (800)-421-6144 FX: 800-587-7501 www.crlaurence.com



USE OF GASKETS

FOR 3/8" (10mm) GLASS:

FOR 1/2" (12mm) GLASS:



3/8"-1/2" GLASS 22.5 DEGREE MITERED CUT GLASS  
3/4" (19mm) DIAMETER HOLE  
GLASS FABRICATION TEMPLATE

BGC135XX - CRL BEVELED STYLE 135 DEGREE GLASS TO GLASS MOUNT CLAMP

DATE: 2-5-2020  
SCALE: 6"=1'-0"  
DRAWN BY: VM

DESCRIPTION: CRL BEVELED STYLE 135° CLAMP  
CTS  
BGC135\_\_ GLASS TO GLASS MOUNT  
www.crlaurence.com

C.R. LAURENCE CO. ARCHITECTURAL PRODUCTS  
2503 E. Vernon Avenue, Los Angeles, CA 90058-1897  
PH (800)-421-6144 FX: 800-587-7501 www.crlaurence.com

**CRL**