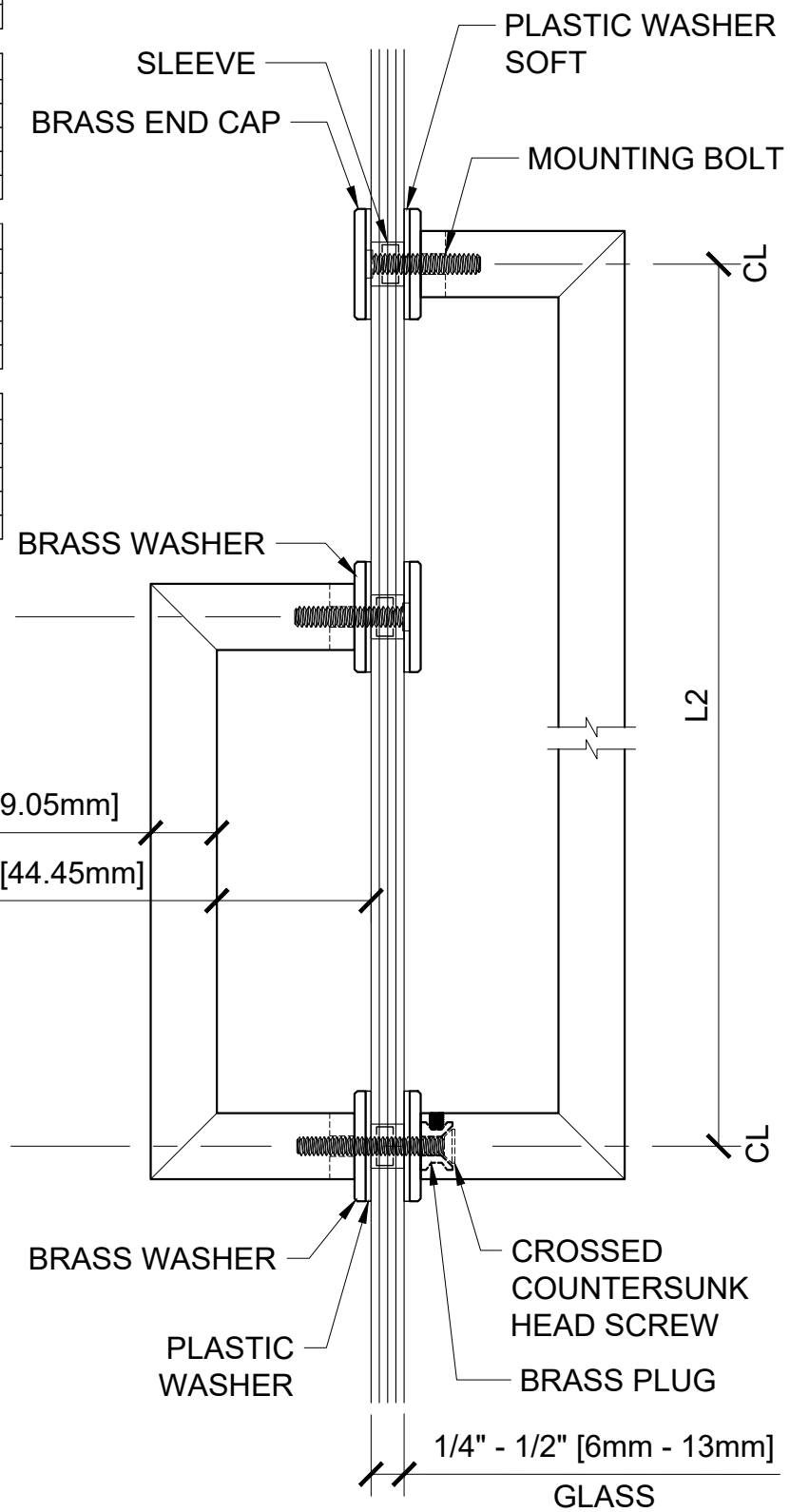
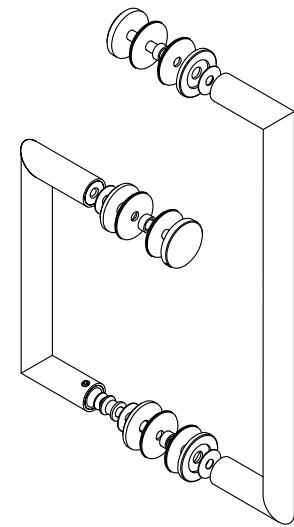


PART NUMBER	FINISH	L1 x L2	
MT6X180RB	OIL RUBBED BRONZE	6"X18"	152mm x 457mm
MT6X18BN	BRUSHED NICKEL	6"X18"	152mm x 457mm
MT6X18BR	POLISHED BRASS	6"X18"	152mm x 457mm
MT6X18CH	POLISHED CHROME	6"X18"	152mm x 457mm
MT6X18MBL	MATTE BLACK	6"X18"	152mm x 457mm
MT6X18PN	POLISHED NICKEL	6"X18"	152mm x 457mm
MT6X18SC	SATIN CHROME	6"X18"	152mm x 457mm
MT6X240RB	OIL RUBBED BRONZE	6"X24"	152mm x 610mm
MT6X24BN	BRUSHED NICKEL	6"X24"	152mm x 610mm
MT6X24BR	POLISHED BRASS	6"X24"	152mm x 610mm
MT6X24CH	POLISHED CHROME	6"X24"	152mm x 610mm
MT6X24PN	POLISHED NICKEL	6"X24"	152mm x 610mm
MT6X24SC	SATIN CHROME	6"X24"	152mm x 610mm
MT8X180RB	OIL RUBBED BRONZE	8"X18"	203mm x 457mm
MT8X18BN	BRUSHED NICKEL	8"X18"	203mm x 457mm
MT8X18BR	POLISHED BRASS	8"X18"	203mm x 457mm
MT8X18CH	POLISHED CHROME	8"X18"	203mm x 457mm
MT8X18PN	POLISHED NICKEL	8"X18"	203mm x 457mm
MT8X18SC	SATIN CHROME	8"X18"	203mm x 457mm
MT8X240RB	OIL RUBBED BRONZE	8"X24"	203mm x 610mm
MT8X24BN	BRUSHED NICKEL	8"X24"	203mm x 610mm
MT8X24BR	POLISHED BRASS	8"X24"	203mm x 610mm
MT8X24CH	POLISHED CHROME	8"X24"	203mm x 610mm
MT8X24PN	POLISHED NICKEL	8"X24"	203mm x 610mm
MT8X24SC	SATIN CHROME	8"X24"	203mm x 610mm



**3/4" (19mm) Diameter. Brass Tubing**  
**Glass Thickness Range: 1/4" to 1/2" (6mm to 13mm)**  
**Hole Diameter Required: 1/2"(13mm) (3)**



C.R. LAURENCE CO. ARCHITECTURAL PRODUCTS  
 2503 E. Vernon Avenue, Los Angeles, C.A 90058-1897  
 PH (800)-421-6144 FX: 800-587-7501 www.crlaurence.com

DESCRIPTION: CRL MT SERIES COMBO PULL HANDLE/TOWEL BAR  
 PART #: SEE CHART

DATE: 11/6/2018  
 SCALE: NTS  
 DRAWN BY: VM