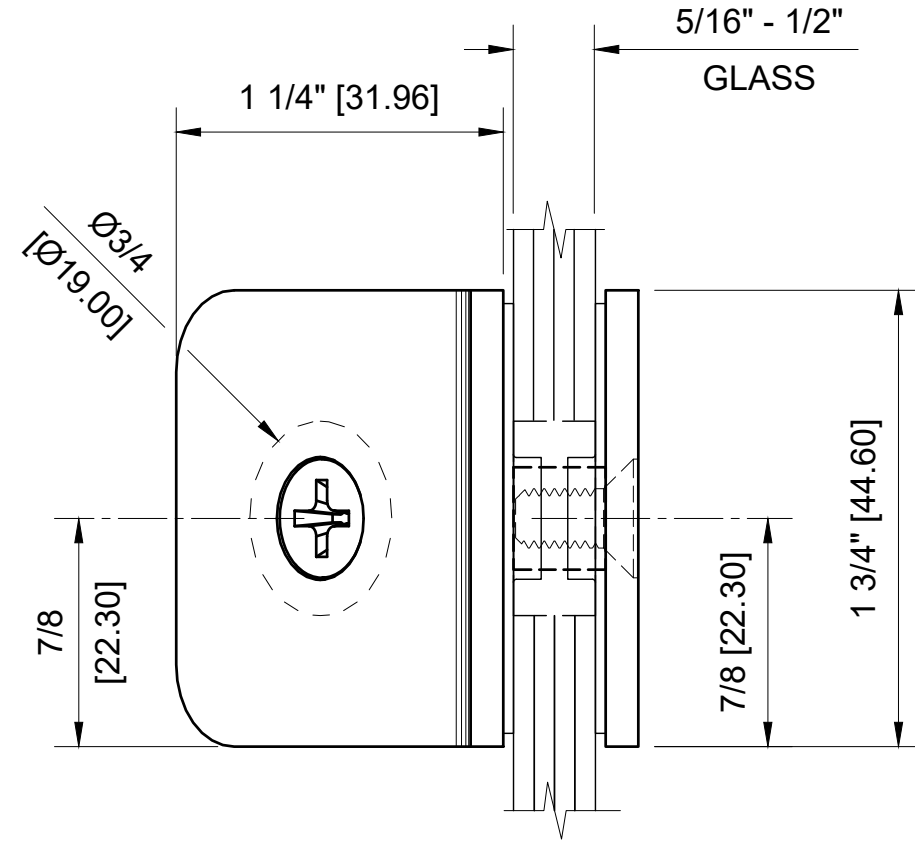
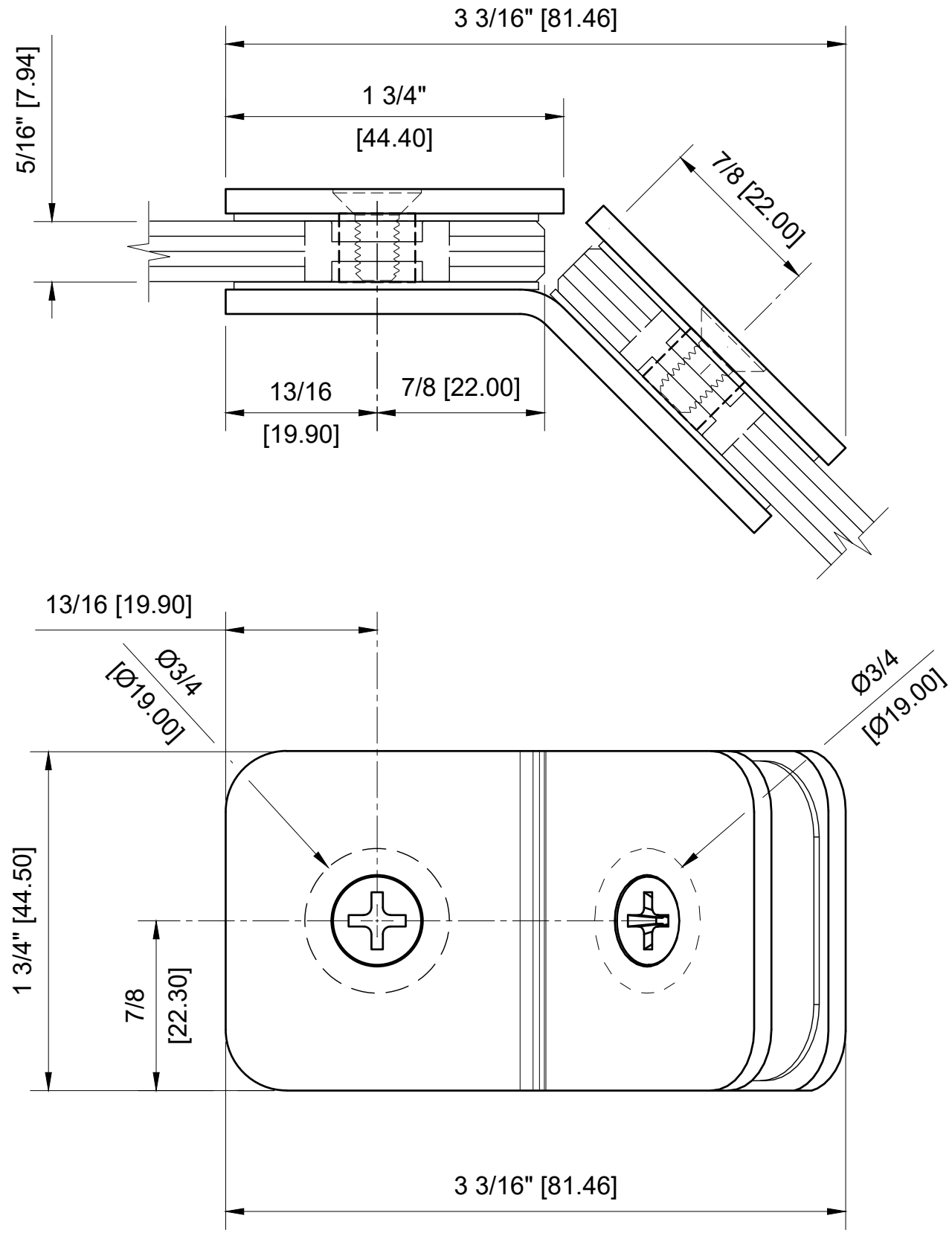


GLASS: 5/16" (8mm)
 GLASS: 3/8" (10mm)
 GLASS: 1/2" (12mm)



CRL - GCB135 TRADITIONAL STYLE 135 DEGREE GLASS TO GLASS FOR 5/16" - 1/2" GLASS

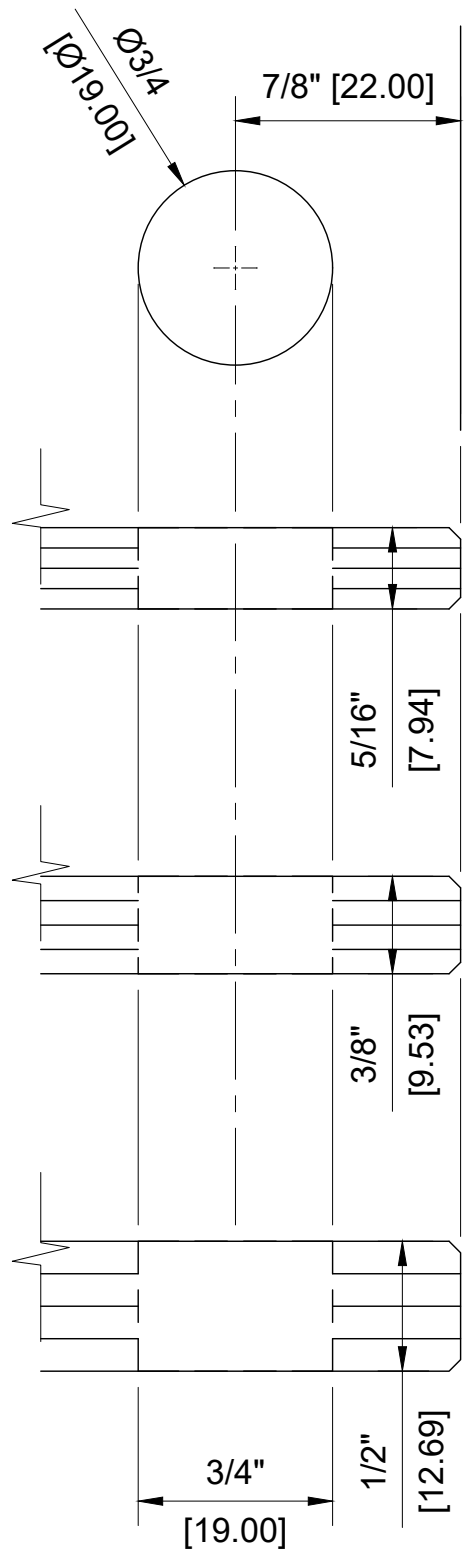
DATE: 10-15-2020
 SCALE: 1'-0"=1'-0"
 DRAWN BY: VM

DESCRIPTION: CRL - GBC135
 STANDARD 135 DEGREE GLASS CLAMP

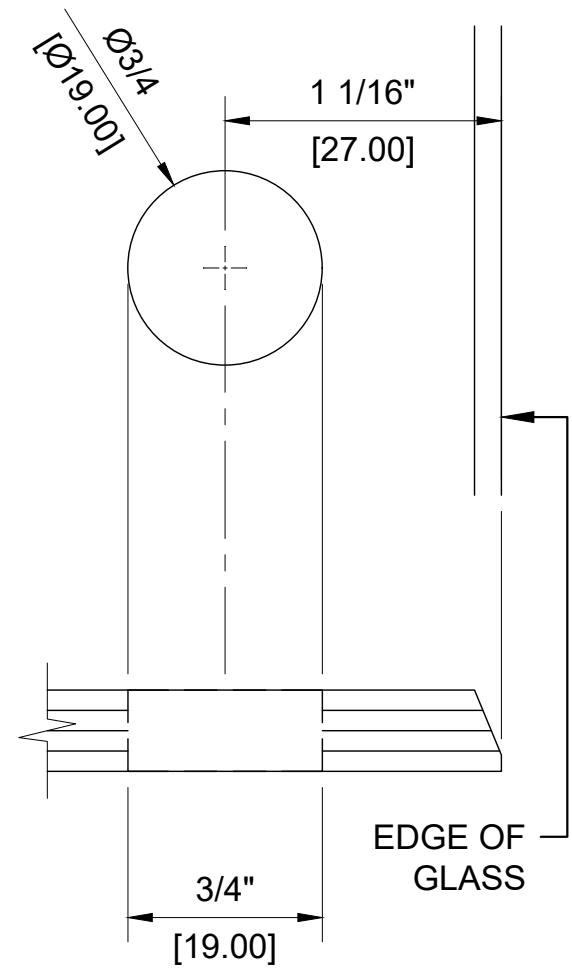
C.R. LAURENCE CO. ARCHITECTURAL PRODUCTS
 2503 E. Vernon Avenue, Los Angeles, CA 90058-1897
 PH (800)-421-6144 FX: 800-587-7501 www.crlaurence.com



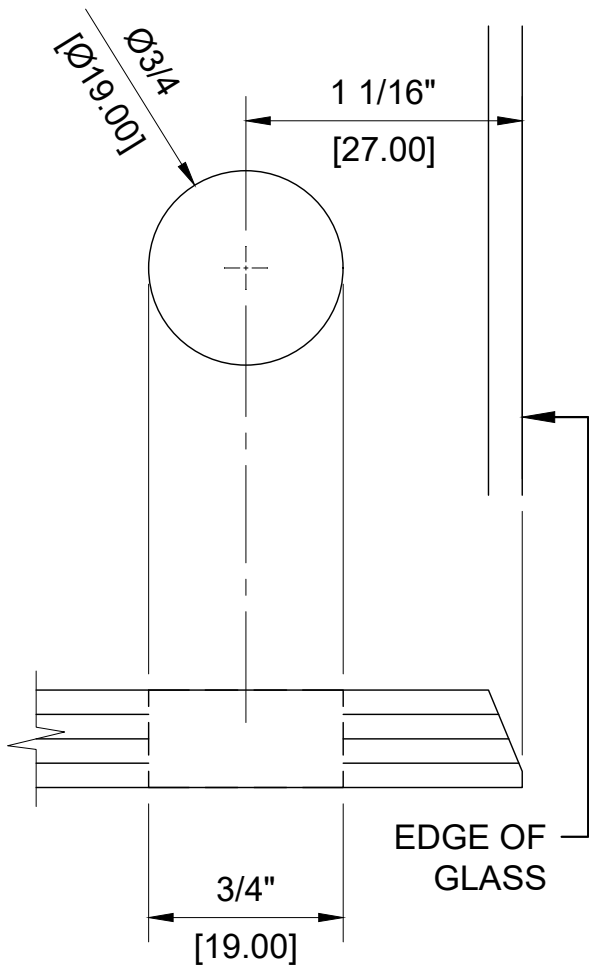
GLASS: 5/16" (8mm)
 GLASS: 3/8" (10mm)
 GLASS: 1/2" (12mm)



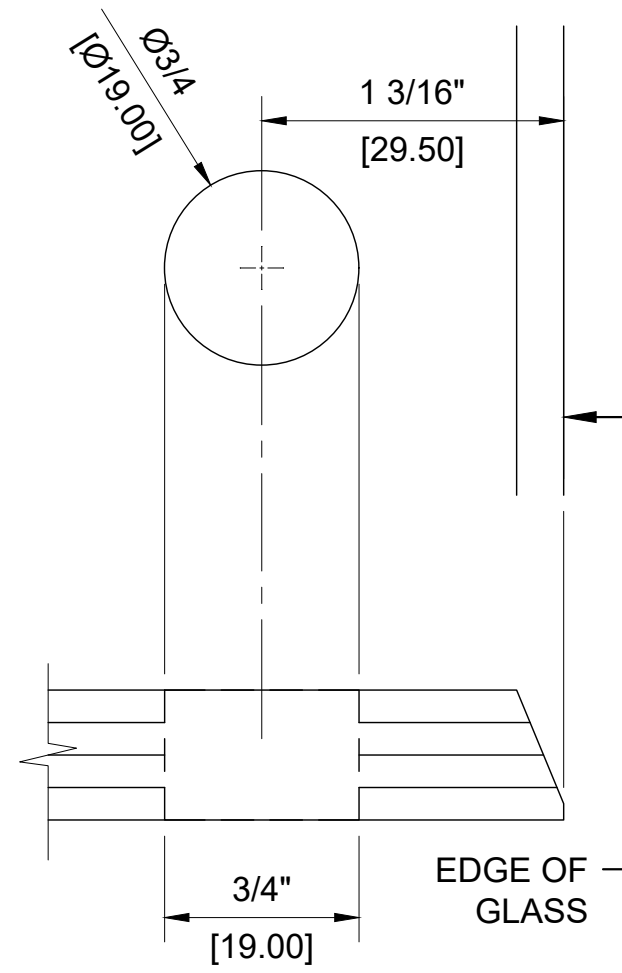
GLASS FABRICATION TEMPLATE
 SQUARE CUT



"C" - 5/16"
GLASS TO GLASS 22.5° MITERED
GLASS FABRICATION TEMPLATE



"C" - 3/8"
GLASS TO GLASS 22.5° MITERED
GLASS FABRICATION TEMPLATE



"C" - 1/2"
GLASS TO GLASS 22.5° MITERED
GLASS FABRICATION TEMPLATE

DATE: 10-15-2020
 SCALE: 1'-0"=1'-0"
 DRAWN BY: VM

DESCRIPTION: CRL - GBC135
 STANDARD 135 DEGREE GLASS CLAMP

C.R. LAURENCE CO. ARCHITECTURAL PRODUCTS
 2503 E. Vernon Avenue, Los Angeles, CA 90058-1897
 PH (800)-421-6144 FX: 800-587-7501 www.crlaurence.com

