

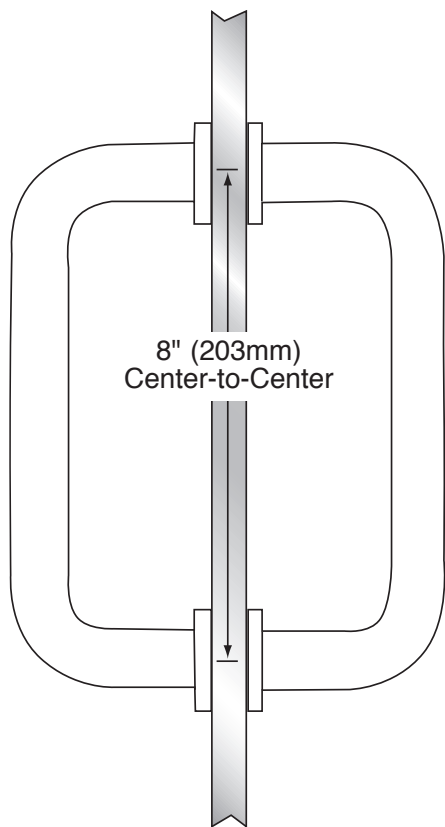
Specifications:

SBP81 which requires 5/8" (16mm) diameter.

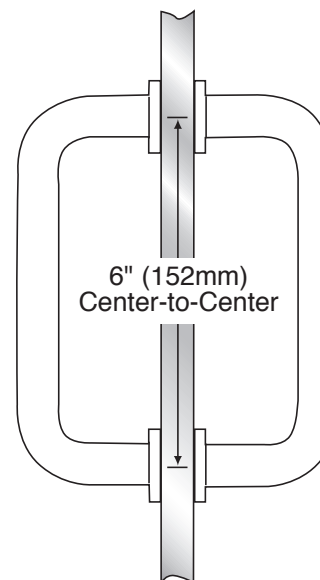
All Measurements Are Center-To-Center

Appropriate Clear Gaskets Included

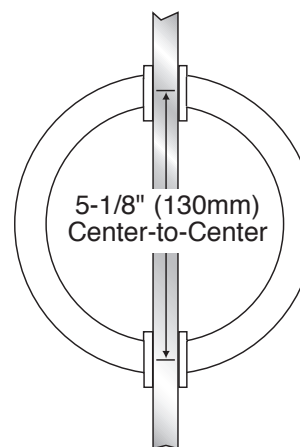
Fits 1/4" (6mm) to 1/2" (12mm) Glass



CAT. NO. VIC8X8
 CAT. NO. BM8X8
 CAT. NO. BMNW8X8
 CAT. NO. SPH8
 CAT. NO. BPD8
 CAT. NO. BPS8
 CAT. NO. SBP81
 CAT. NO. SSP8
 CAT. NO. CSH8X8
 CAT. NO. SQ8X8
 CAT. NO. MT8X8
 CAT. NO. COL8X8
 CAT. NO. LP8X8



CAT. NO. BM6X6
 CAT. NO. BMNW6X6
 CAT. NO. BPD6
 CAT. NO. BPS6
 CAT. NO. SDPR6
 CAT. NO. SPH6
 CAT. NO. SSP8
 CAT. NO. SSP6
 CAT. NO. CSH6X6
 CAT. NO. LP6X6
 CAT. NO. VIC6X6
 CAT. NO. MT6X6
 CAT. NO. SQ6X6
 CAT. NO. COL6X6



CAT. NO. SDPC575

DOOR PULLS

(Solid Brass or Tubular Brass Construction)