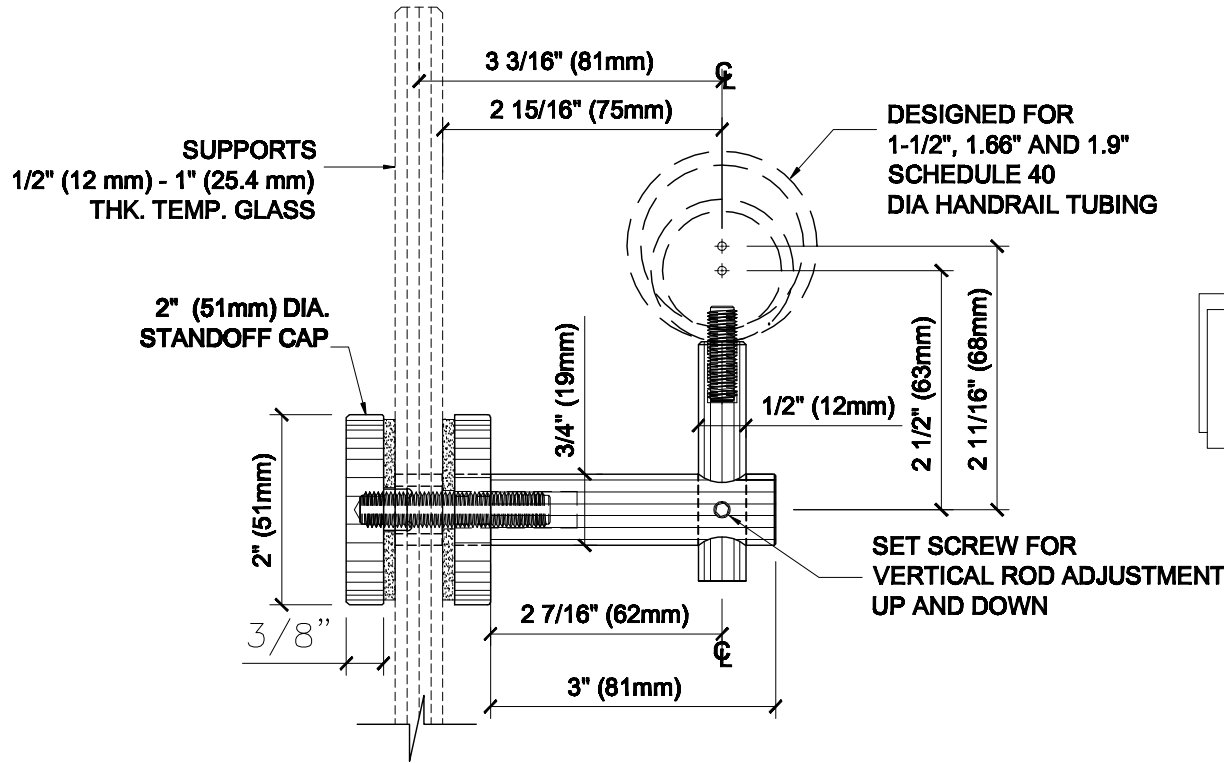
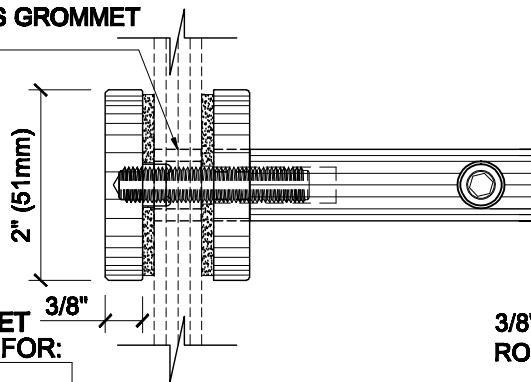


CRL GLASS MOUNTED HAND RAIL BRACKET

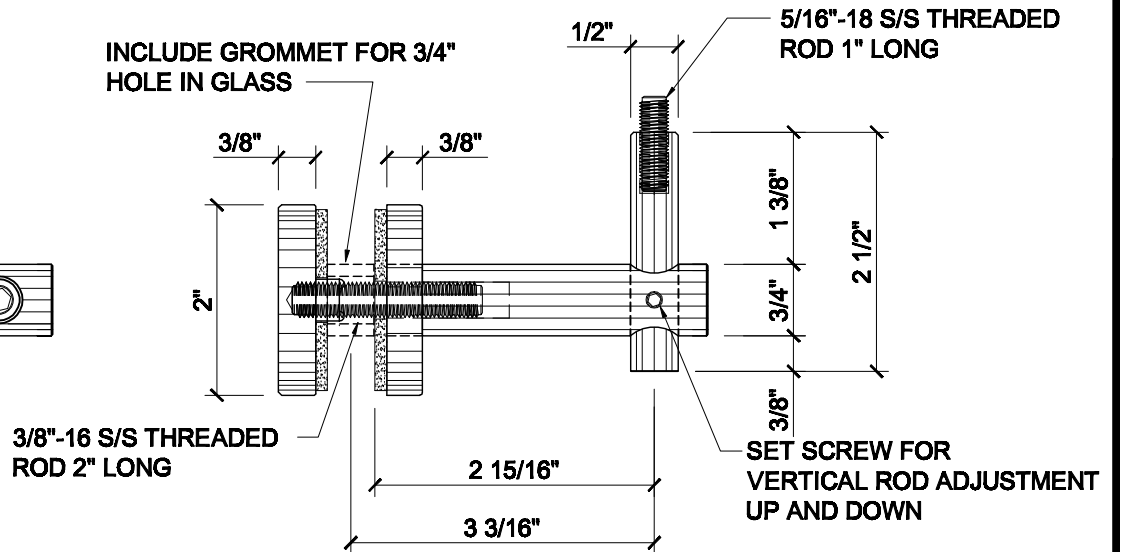


NO SADDLE NEEDED FOR INSTALLATION

REQUIRES A 3/4" DIA HOLE IN GLASS GROMMET INCLUDED



INCLUDE GROMMET FOR 3/4" HOLE IN GLASS



GLASS MOUNTED BRACKET ASSEMBLY DETAIL USED FOR:

CATALOG NUMBER	FINISH
HR2FGBS	BRUSHED S/S
HR2FGPS	POLISHED S/S
HR2FGMA	MILL ALUMINUM



ARCHITECTURAL PRODUCTS
PH: 800-421-8144 FX: 800-262-3299
WWW.CRLAURENCE.COM

DESCRIPTION:

GLASS MOUNTED HAND RAILING BRACKET

CAT. NO: (SEE CHART)

DATE: 02-04-09

FILE NAME: HR2FG

SCALE: N.T.S.

DRAWN BY: R.A.

CHECKED BY: C.H.

SHT 1 OF 1