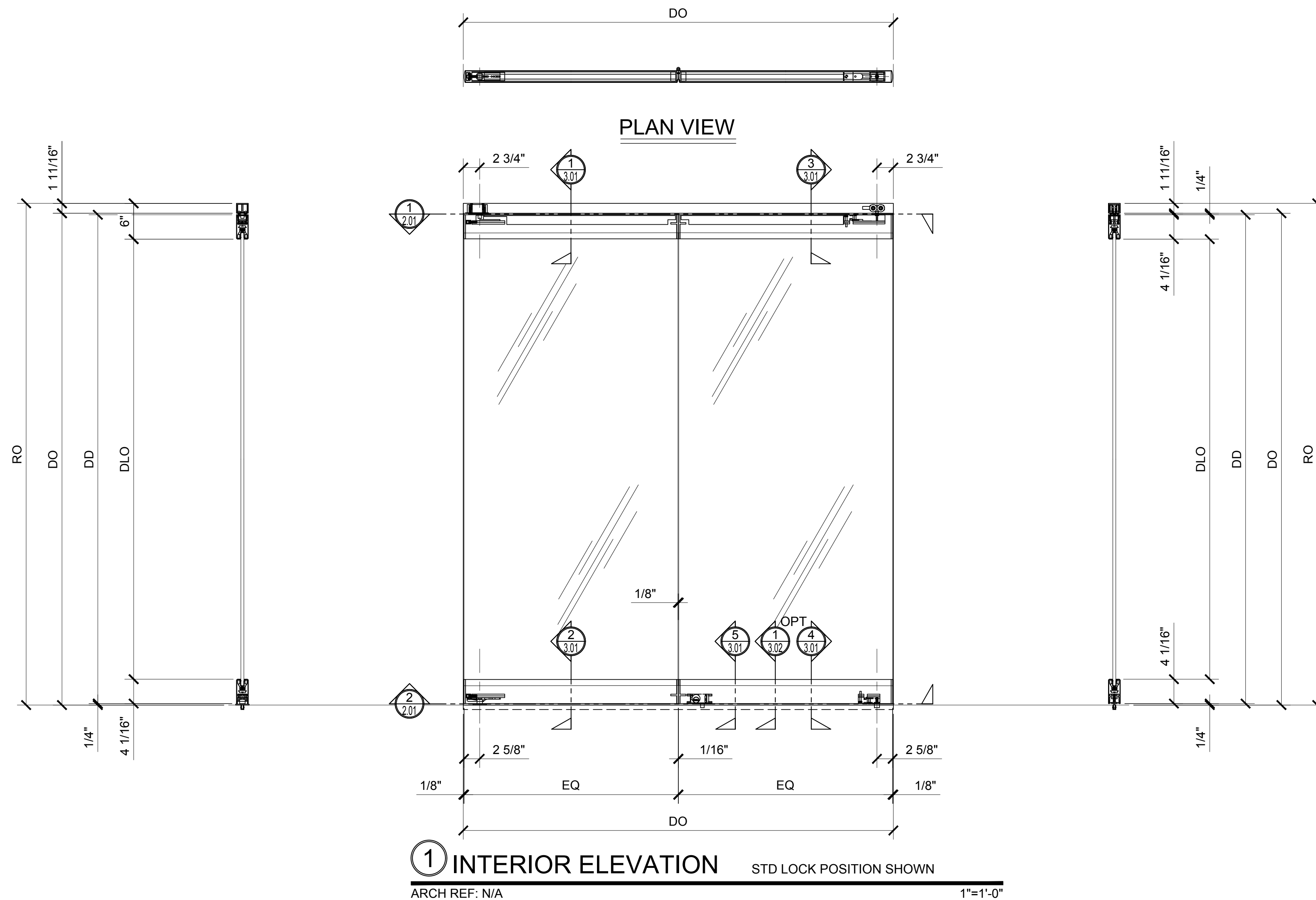




# CRL TOP HUNG SLIDING DOOR SYSTEMS

## OTB2 OVERHEAD TRACK FULL PANEL BI-FOLD DOOR SYSTEMS

### WITH CLAD AND 1/2" GLASS



OTB2, OTB3, OTB4, OTB6 :  
 NOTE: CLAD UNITS SHOWN

- AVAILABLE WITH 4" (101.6 MM) SQUARE DOOR RAILS AND BY CUSTOM ORDERS ONLY
- AVAILABLE WITH 1/2" GLASS ONLY
- PANELS HUNG FROM END POINT, MINIMIZING OBSTRUCTION
- CUSTOM BUILT TO YOUR SPECS FOR FIT AND FINISH

CRL OVERHEAD TRACK FULL PANEL BI-FOLD DOOR SYSTEMS ARE AVAILABLE IN FOUR CONFIGURATIONS, WITH A MAXIMUM OF THREE PANELS ON EACH SIDE OF THE OPENING. THE END PANELS ACT LIKE NORMAL CENTER PIVOTING DOORS AND CONNECT TO THE FIRST HANGING PANEL USING SPECIAL HINGED END CAPS ROLLER ASSEMBLY.

MAXIMUM PANEL WEIGHT NOT TO EXCEED 170 POUNDS (77 kg.)  
 MAXIMUM PANEL WIDTH IS 39" (990 mm.)  
 MINIMUM PANEL WIDTH IS 15" (381 mm.)

CONTACT CRL TECHNICAL SALES IN US AT (800) 521-6144  
 IN CANADA (877) 421-6144  
 INTERNATIONAL (323) 588-1281 EXT. 7700

YOU CAN ALSO SEND E-MAIL FROM THE CRLAURENCE.COM HOME PAGE. CLICK ON CONTACT US AND THEN CLICK ON TECHNICAL SALES FOR COMMERCIAL PRODUCTS.

STANDARD ABBREVIATIONS	
RO	ROUGH OPENING
FD	FRAME DIMENSION
DLO	DAYLIGHT OPENING
DO	DOOR OPENING
DD	DOOR DIMENSION
EQ	EQUAL
DP	DIMENSION POINT

Revisions By:

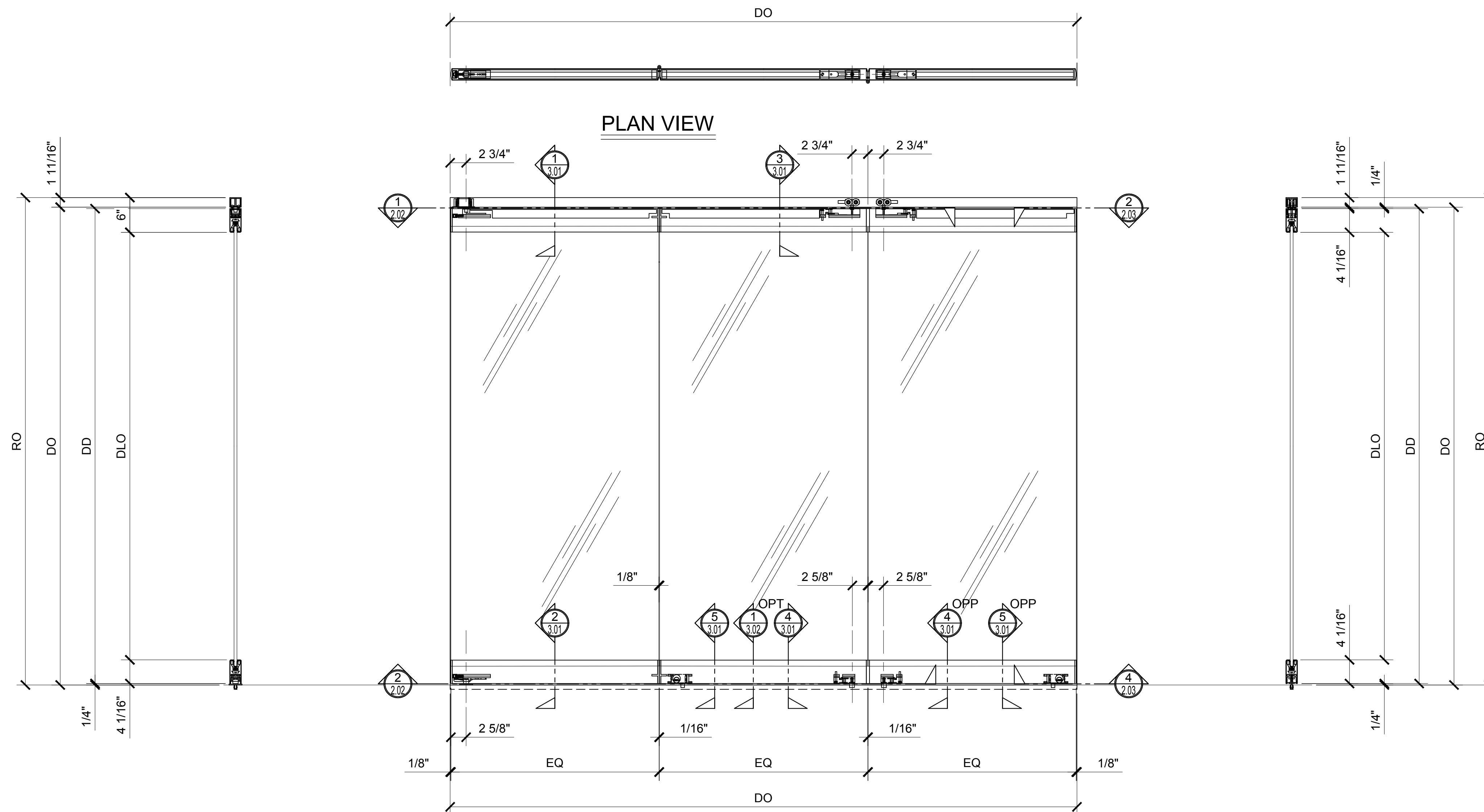


Description:  
 CRL OVERHEAD TRACK  
 FULL PANEL BI-FOLD  
 DOOR SYSTEMS  
 FOR 1/2" GLASS

Drawn By: TG  
 Date: 07-31-2017  
 Scale: AS NOTED  
 File Name:  
 System Name.dwg



**CRL TOP HUNG SLIDING DOOR SYSTEMS**  
**OTB3 OVERHEAD TRACK FULL PANEL BI-FOLD DOOR SYSTEMS**  
**WITH CLAD AND 1/2" GLASS**



**1** INTERIOR ELEVATION STD LOCK POSITION SHOWN  
 ARCH REF: N/A 1"=1'-0"

STANDARD ABBREVIATIONS	
RO	ROUGH OPENING
FD	FRAME DIMENSION
DLO	DAYLIGHT OPENING
DO	DOOR OPENING
DD	DOOR DIMENSION
EQ	EQUAL
DP	DIMENSION POINT

Revisions By:

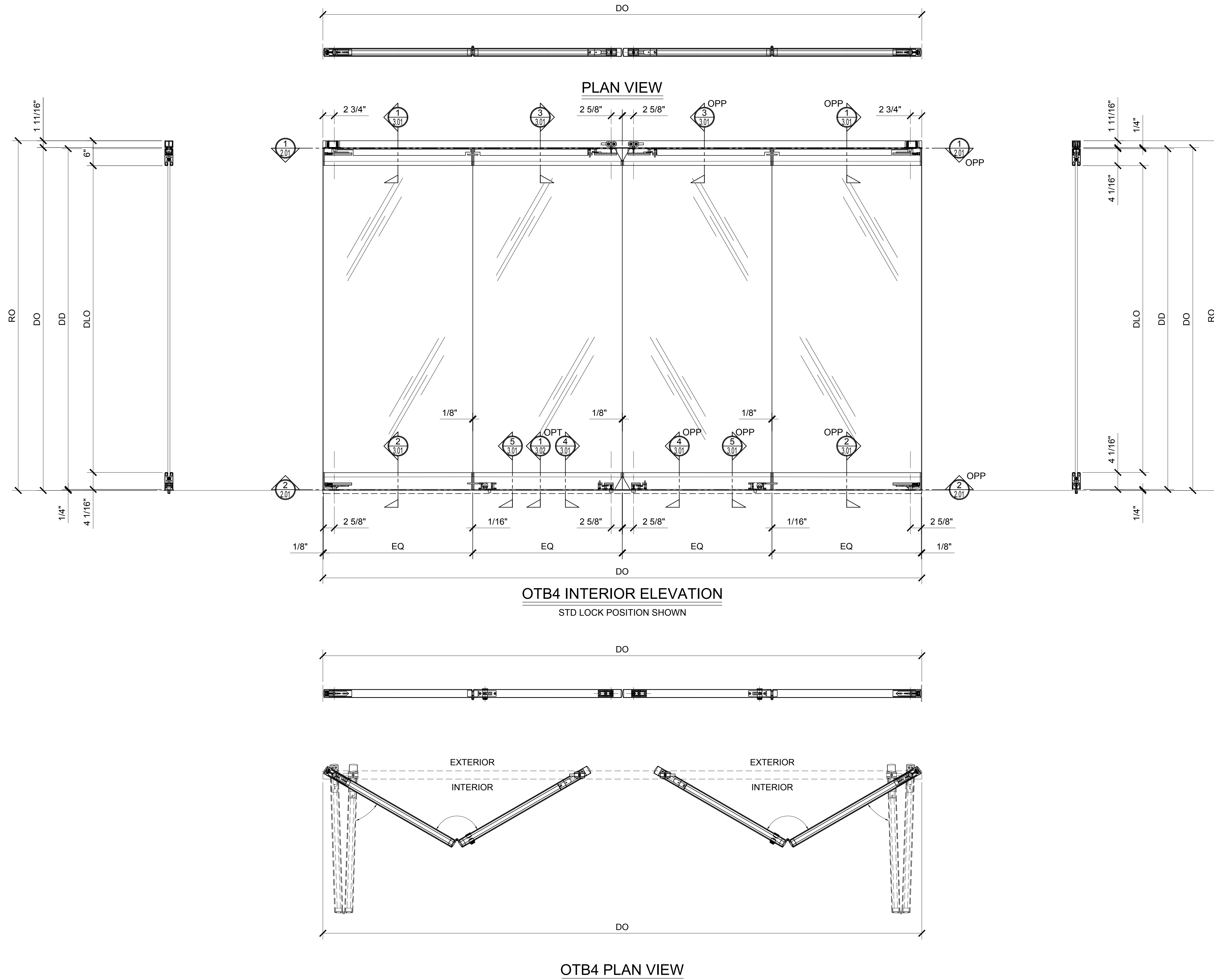


Description:  
**CRL OVERHEAD TRACK**  
**FULL PANEL BI-FOLD**  
**DOOR SYSTEMS**  
**FOR 1/2" GLASS**

Drawn By: TG  
 Date: 07-31-2017  
 Scale: AS NOTED  
 File Name:  
 System Name.dwg



CRL TOP HUNG SLIDING DOOR SYSTEMS  
 OTB4 OVERHEAD TRACK FULL PANEL BI-FOLD DOOR SYSTEMS  
 WITH CLAD AND 1/2" GLASS



STANDARD ABBREVIATIONS	
RO	ROUGH OPENING
FD	FRAME DIMENSION
DLO	DAYLIGHT OPENING
DO	DOOR OPENING
DD	DOOR DIMENSION
EQ	EQUAL
DP	DIMENSION POINT

Revisions By:



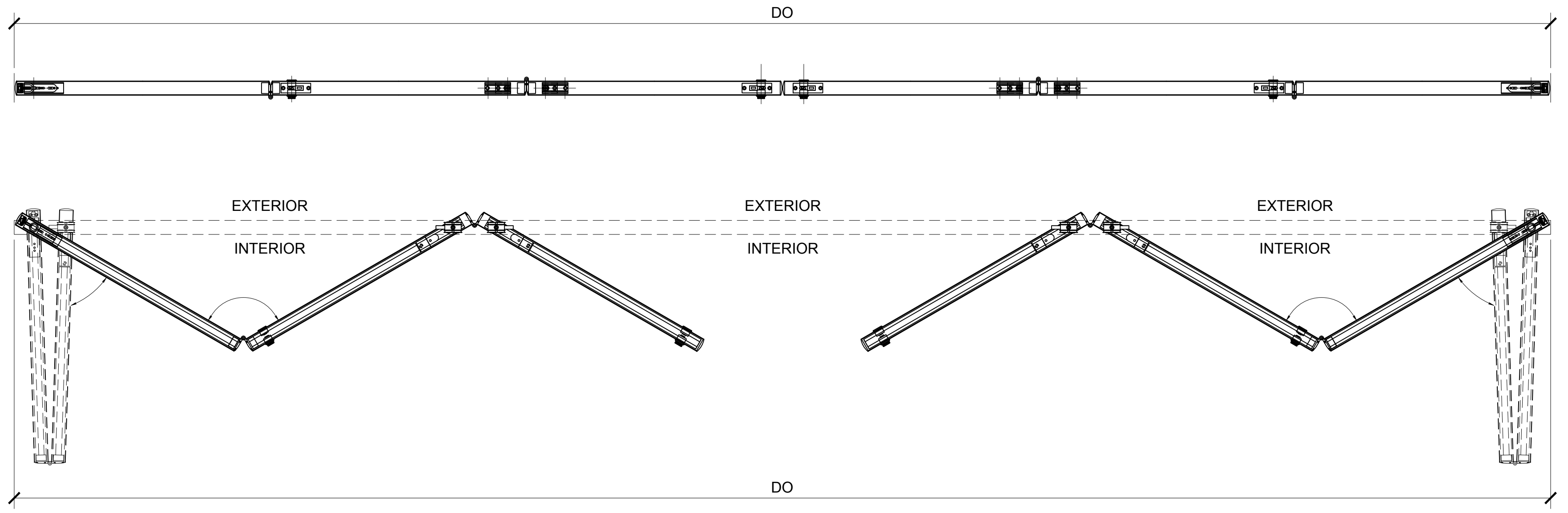
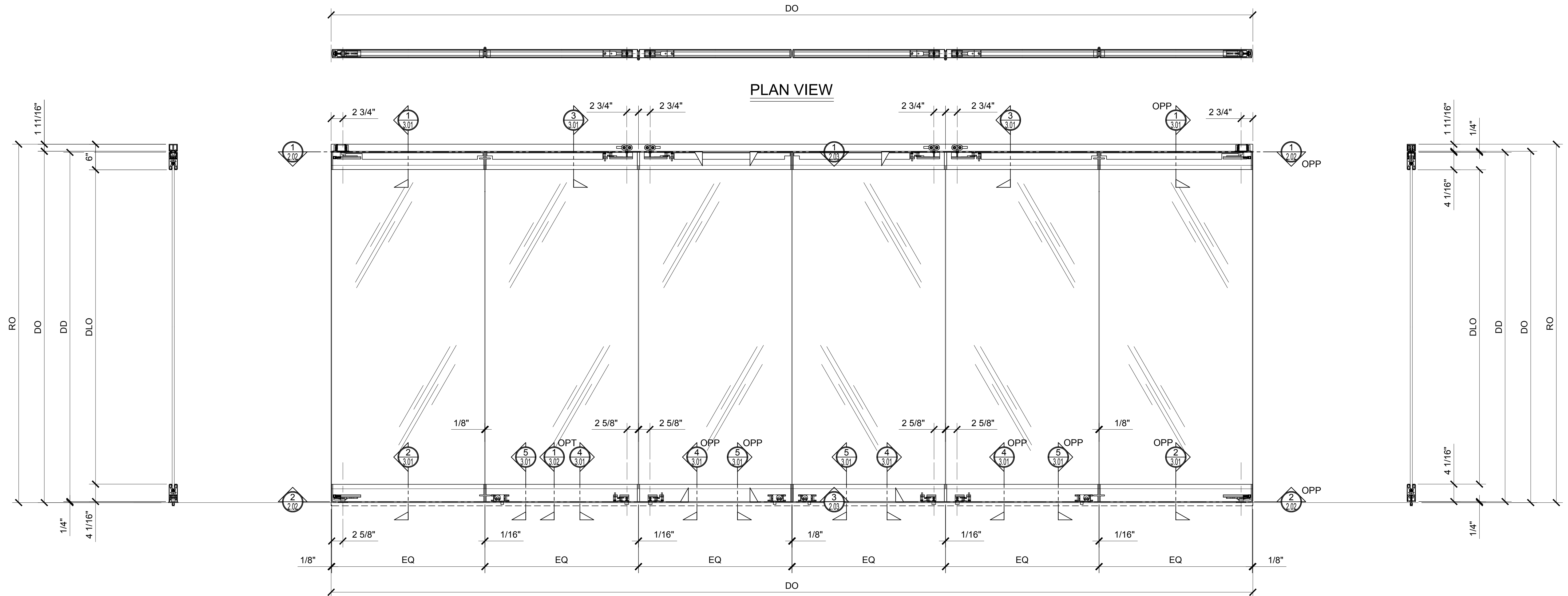
Description:  
 CRL OVERHEAD TRACK  
 FULL PANEL BI-FOLD  
 DOOR SYSTEMS  
 FOR 1/2" GLASS

Drawn By: TG  
 Date: 07-31-2017  
 Scale: AS NOTED  
 File Name:  
 System Name.dwg



CRL TOP HUNG SLIDING DOOR SYSTEMS  
 OTB6 OVERHEAD TRACK FULL PANEL BI-FOLD DOOR SYSTEMS  
 WITH CLAD AND 1/2" GLASS

Revisions By:

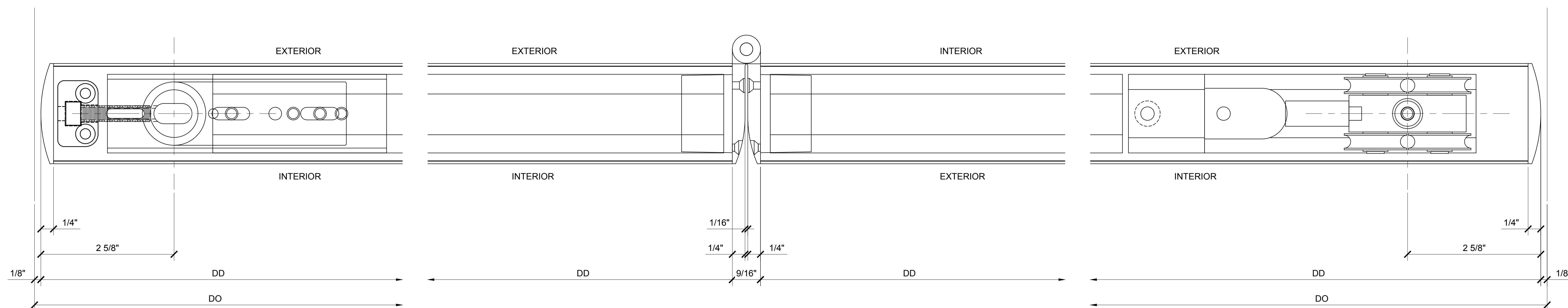


STANDARD ABBREVIATIONS	
RO	ROUGH OPENING
FD	FRAME DIMENSION
DLO	DAYLIGHT OPENING
DO	DOOR OPENING
DD	DOOR DIMENSION
EQ	EQUAL
DP	DIMENSION POINT

Description:  
 CRL OVERHEAD TRACK  
 FULL PANEL BI-FOLD  
 DOOR SYSTEMS  
 FOR 1/2" GLASS

Drawn By: TG  
 Date: 07-31-2017  
 Scale: AS NOTED  
 File Name:  
 System Name.dwg

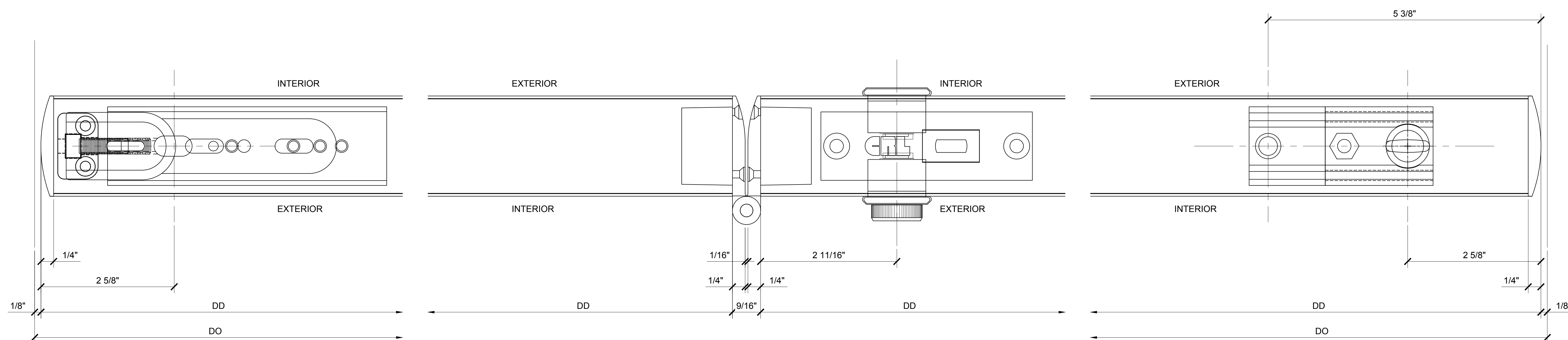
Revisions By:



① OTB2 TOP RAIL DETAILS

ARCH REF: N/A

1-0"=1-0"



② OTB2 BOTTOM RAIL DETAILS

ARCH REF: N/A

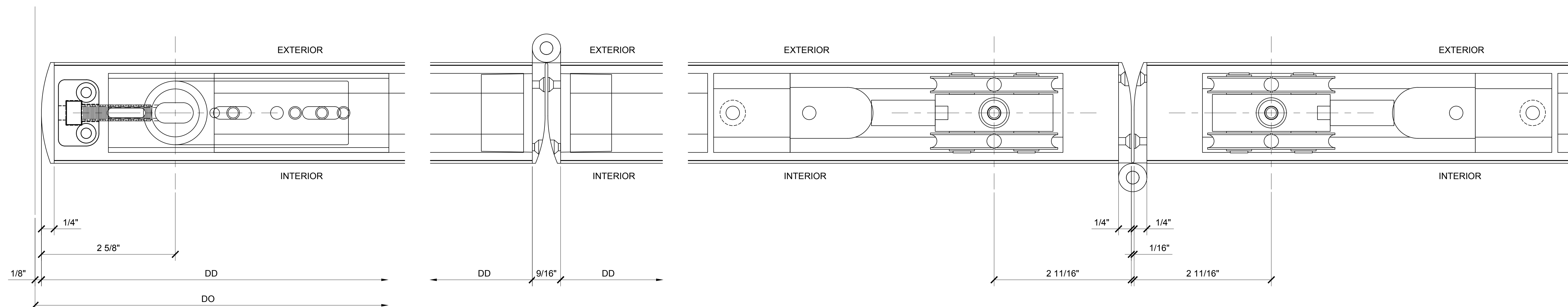
1-0"=1-0"

Description:  
CRL OVERHEAD TRACK  
FULL PANEL BI-FOLD  
DOOR SYSTEMS  
FOR 1/2" GLASS

Drawn By: TG  
Date: 07-31-2017  
Scale: AS NOTED  
File Name:  
System Name.dwg

Sheet

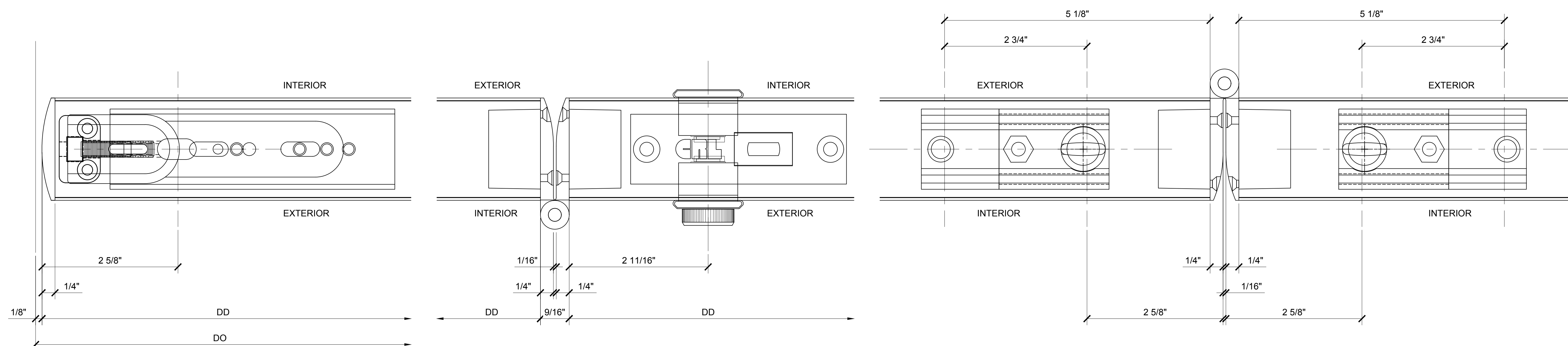
Revisions By:



### ① OTB3 TOP RAIL DETAILS

ARCH REF: N/A

1-0"=1'-0"



### ② OTB3 BOTTOM RAIL DETAILS

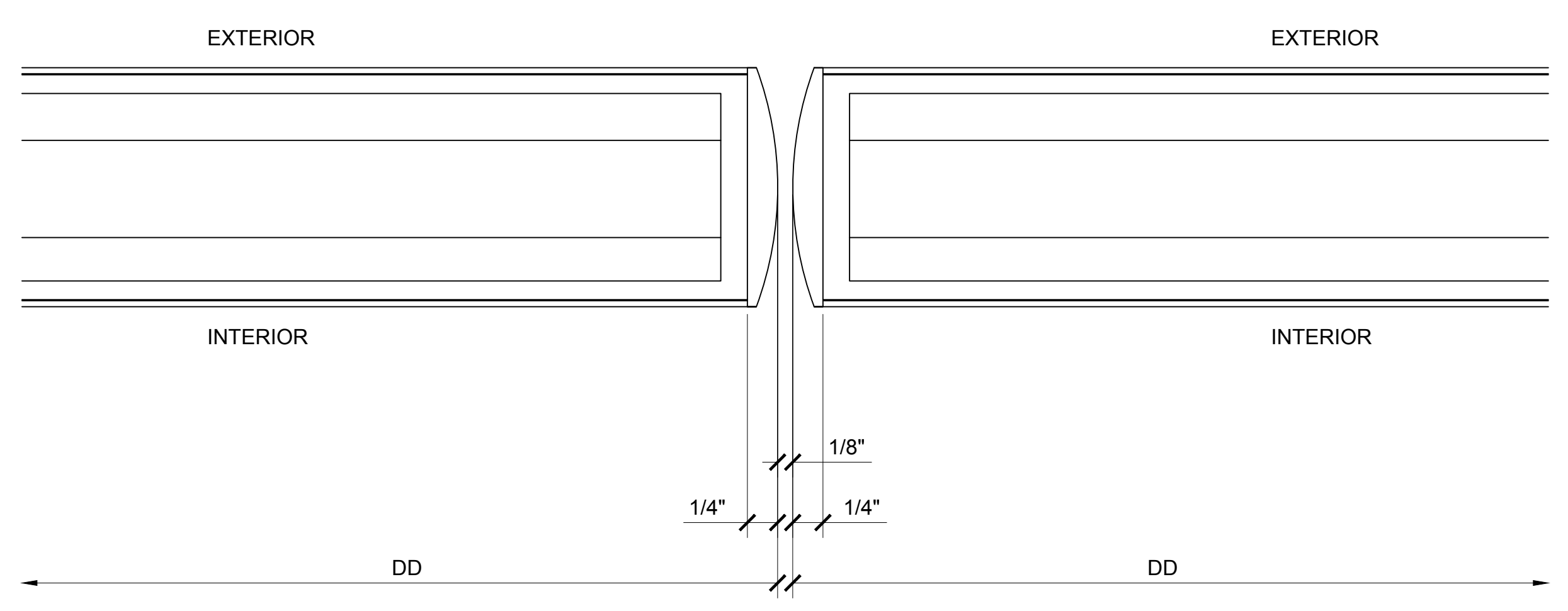
ARCH REF: N/A

1-0"=1'-0"

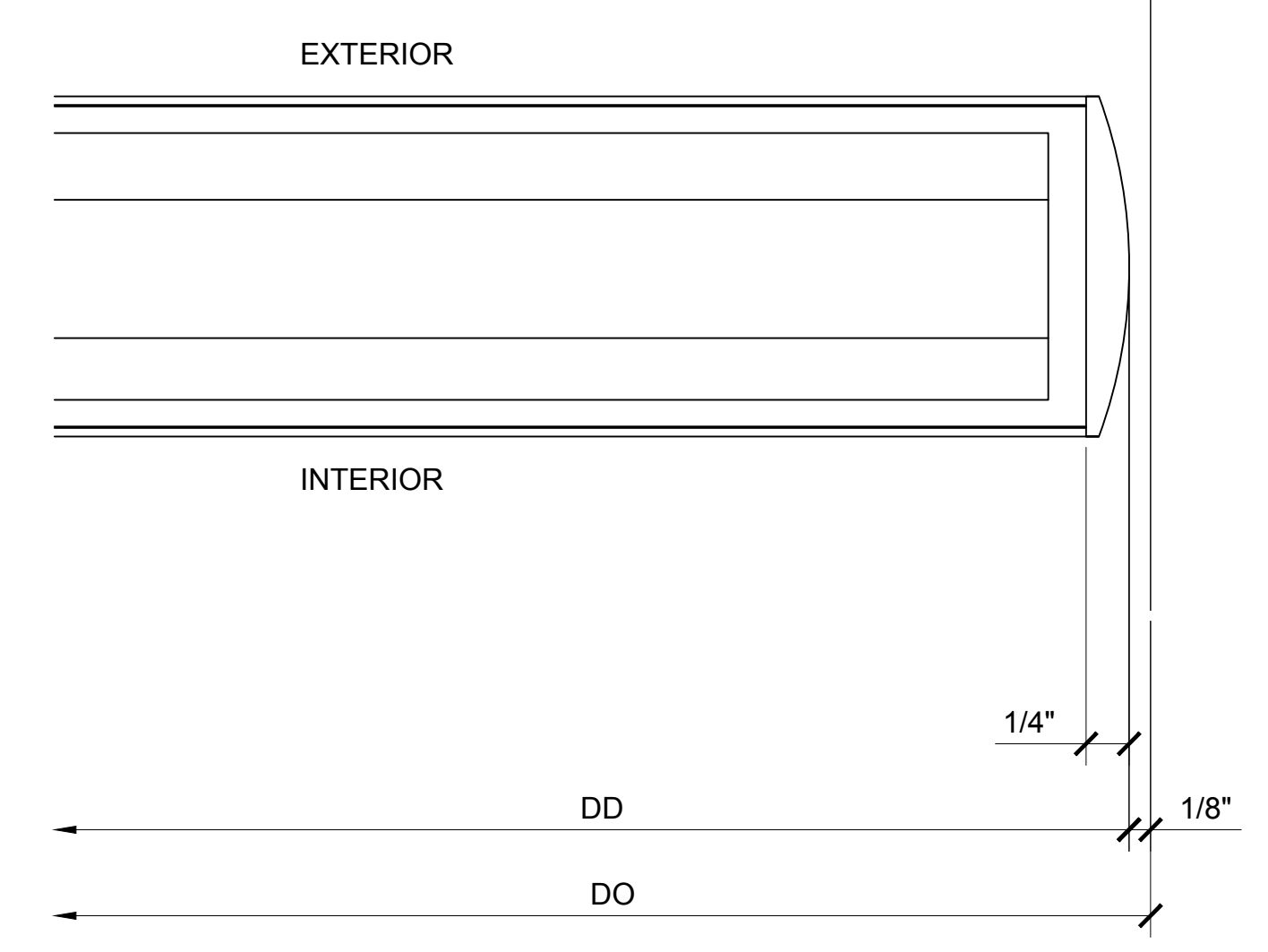
Description:  
CRL OVERHEAD TRACK  
FULL PANEL BI-FOLD  
DOOR SYSTEMS  
FOR 1/2" GLASS

Drawn By: TG  
Date: 07-31-2017  
Scale: AS NOTED  
File Name:  
System Name.dwg  
Sheet

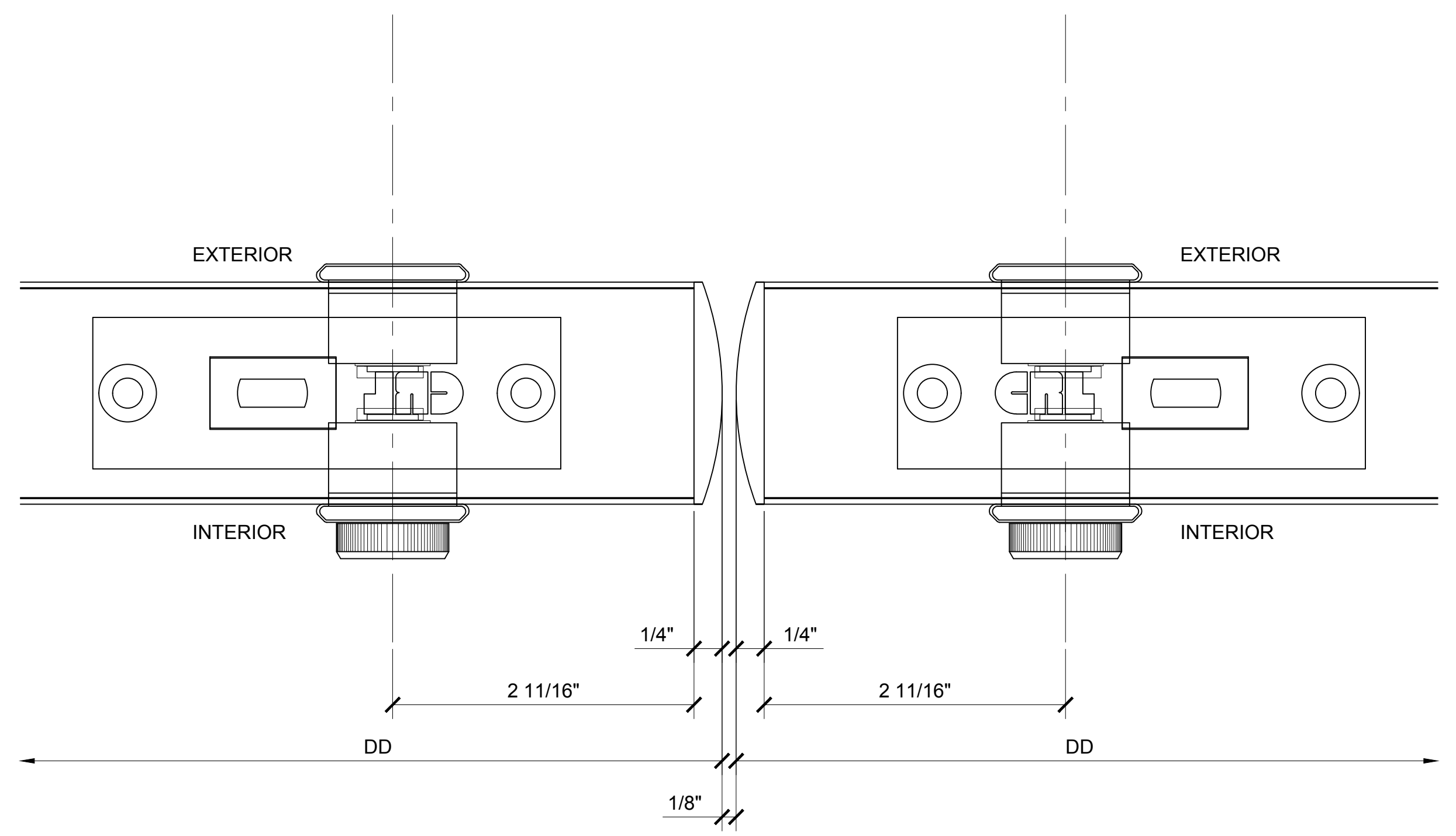
Revisions By:



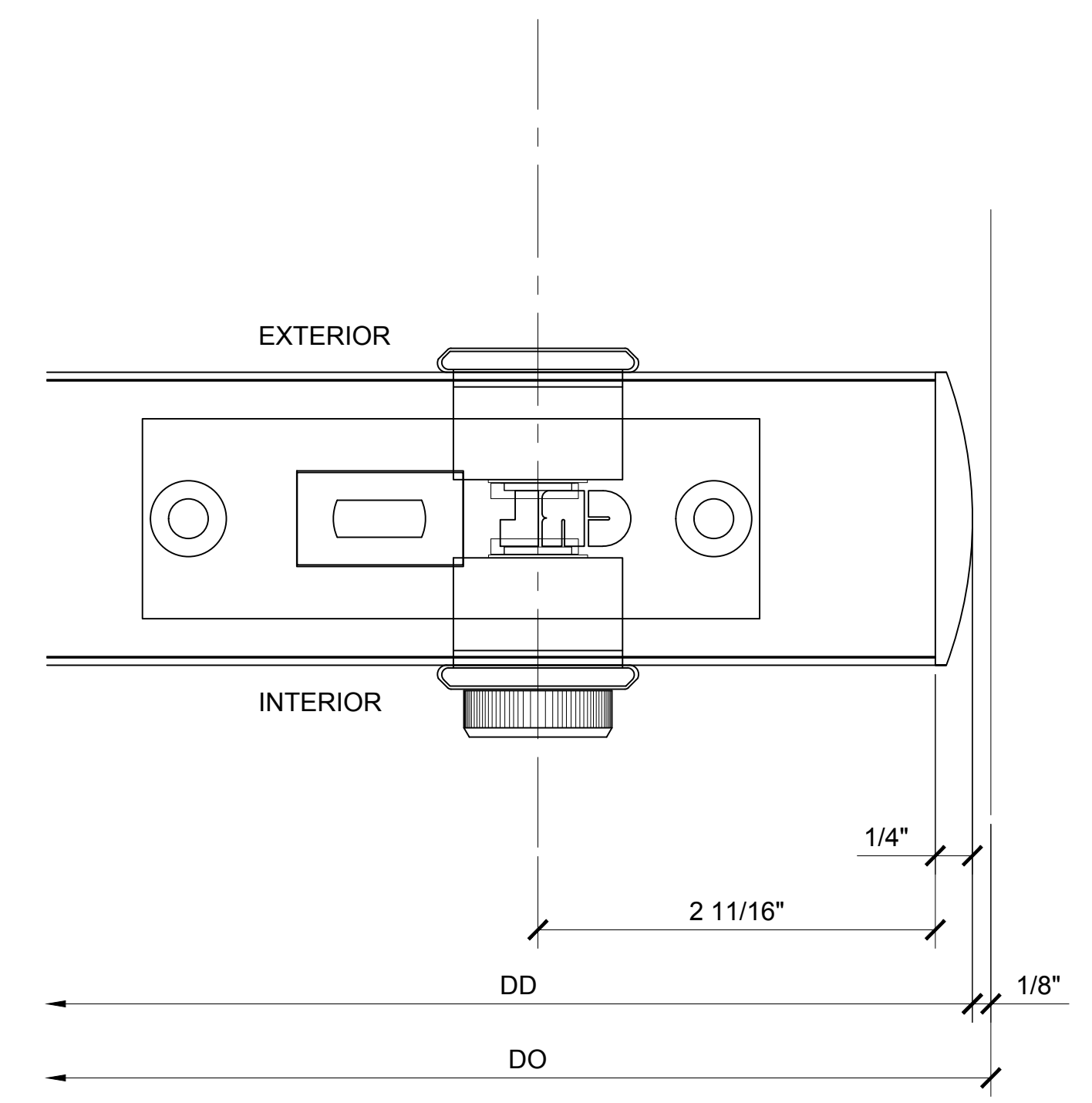
① OTB6 TOP RAIL MEETING STILE DETAIL  
 ARCH REF: N/A 1-0"=1'-0"



② OTB3 TOP RAIL JAMB DETAIL  
 ARCH REF: N/A 1-0"=1'-0"



③ OTB6 BOTTOM RAIL MEETING STILE DETAIL  
 ARCH REF: N/A 1-0"=1'-0"

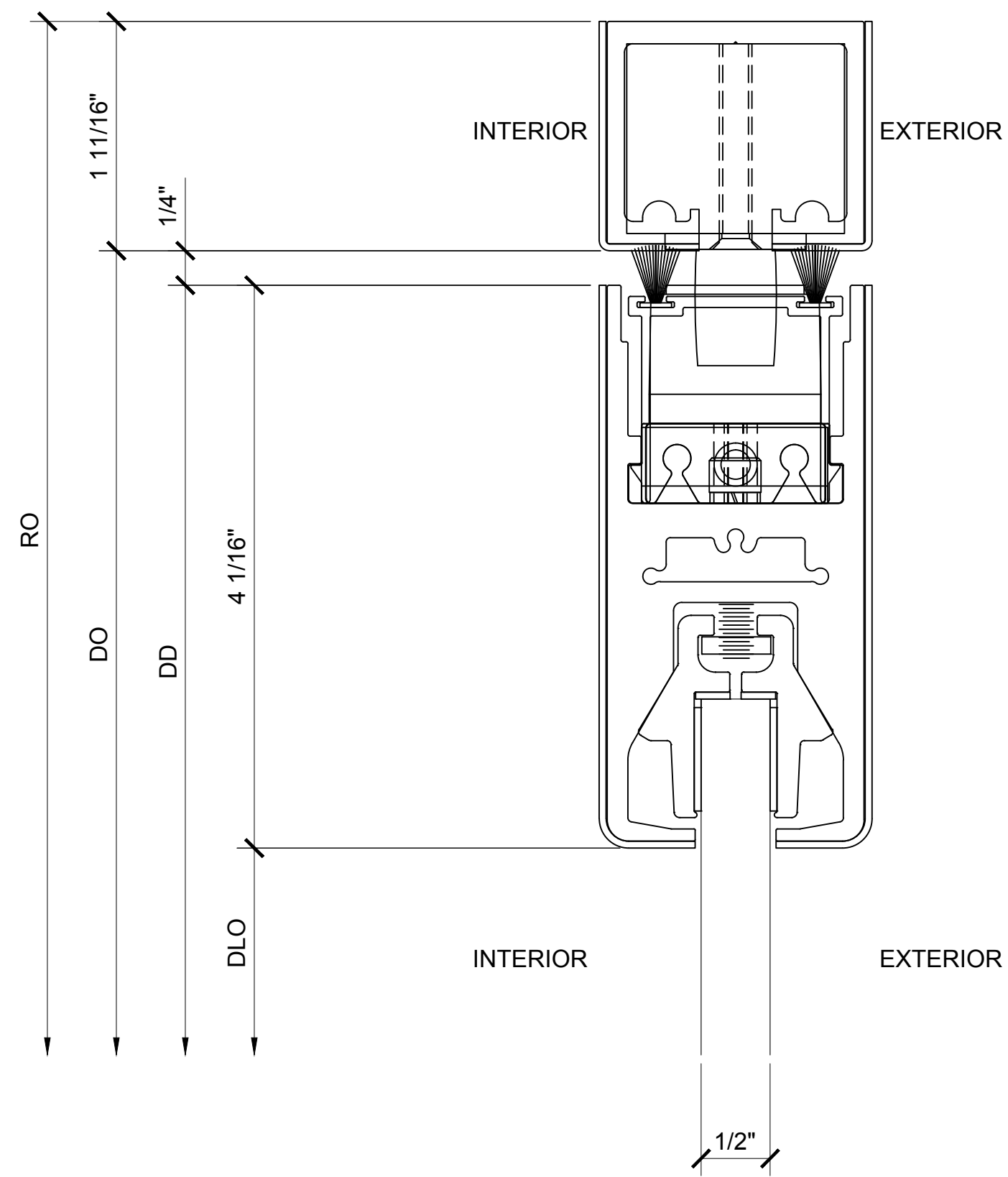


④ OTB3 BOTTOM RAIL JAMB DETAIL  
 ARCH REF: N/A 1-0"=1'-0"

Description:  
 CRL OVERHEAD TRACK  
 FULL PANEL BI-FOLD  
 DOOR SYSTEMS  
 FOR 1/2" GLASS

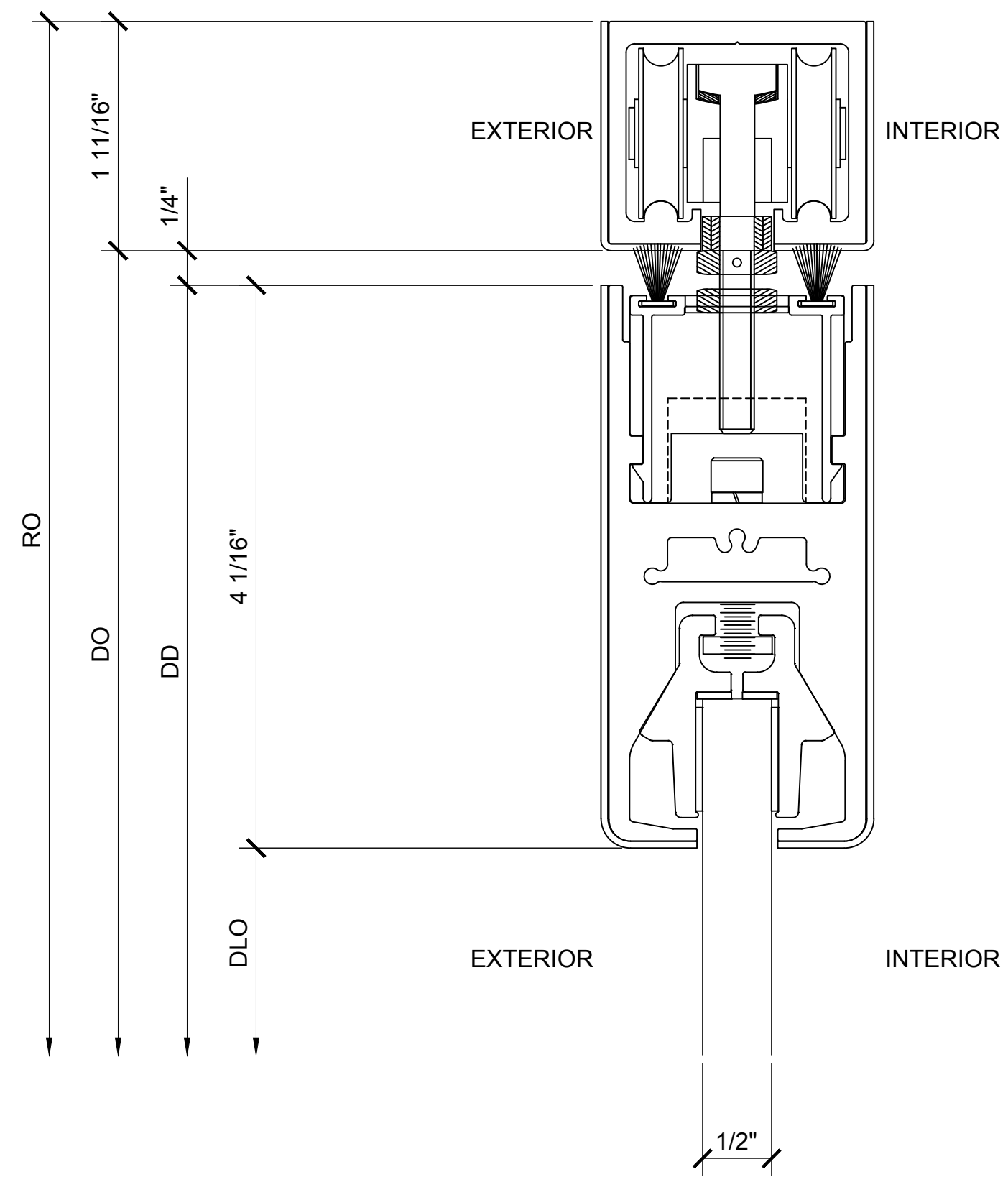
Drawn By: TG  
 Date: 07-31-2017  
 Scale: AS NOTED  
 File Name:  
 System Name.dwg

Sheet



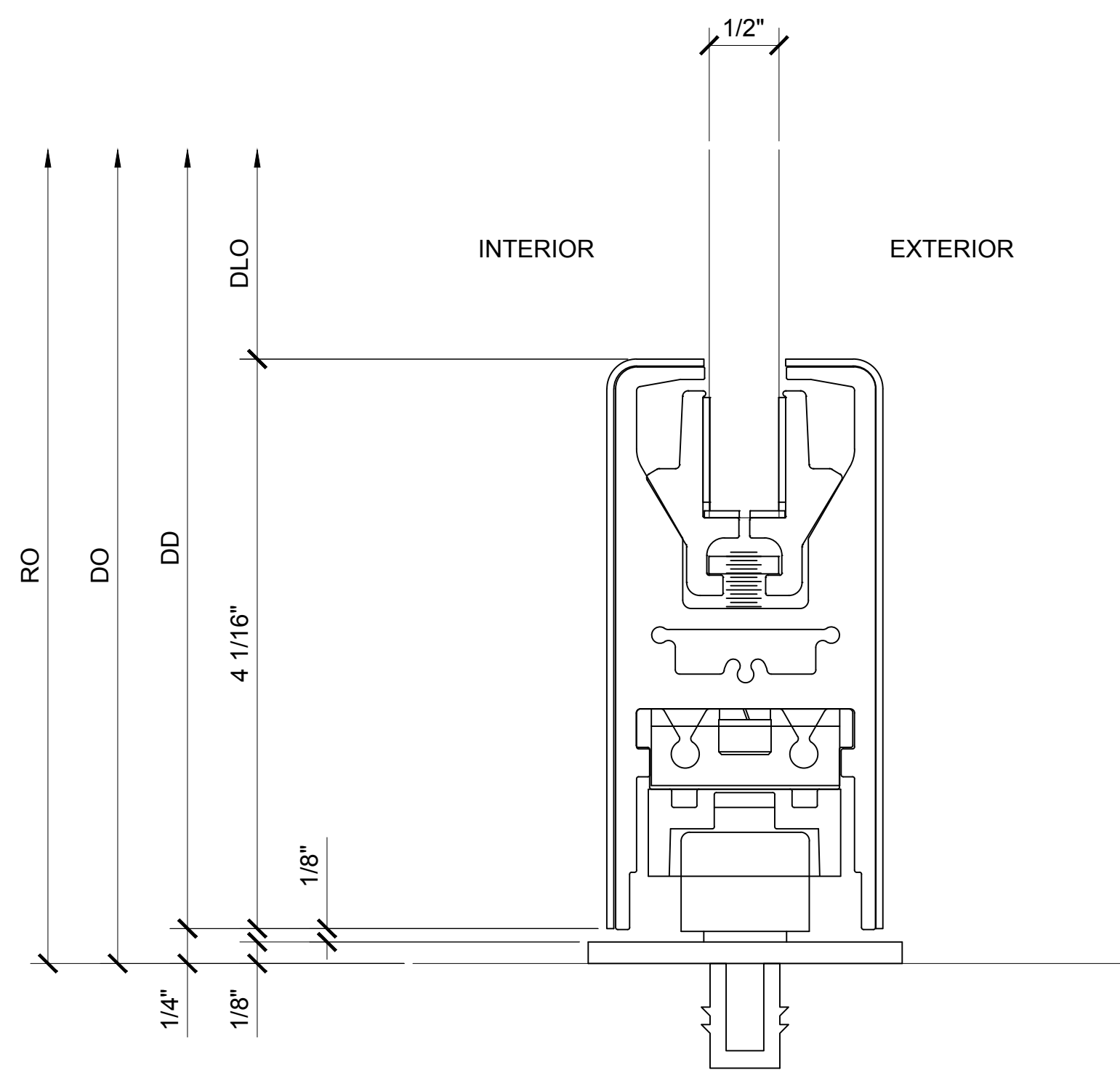
① HEAD DETAIL

ARCH REF: N/A 1-0"=1'-0"



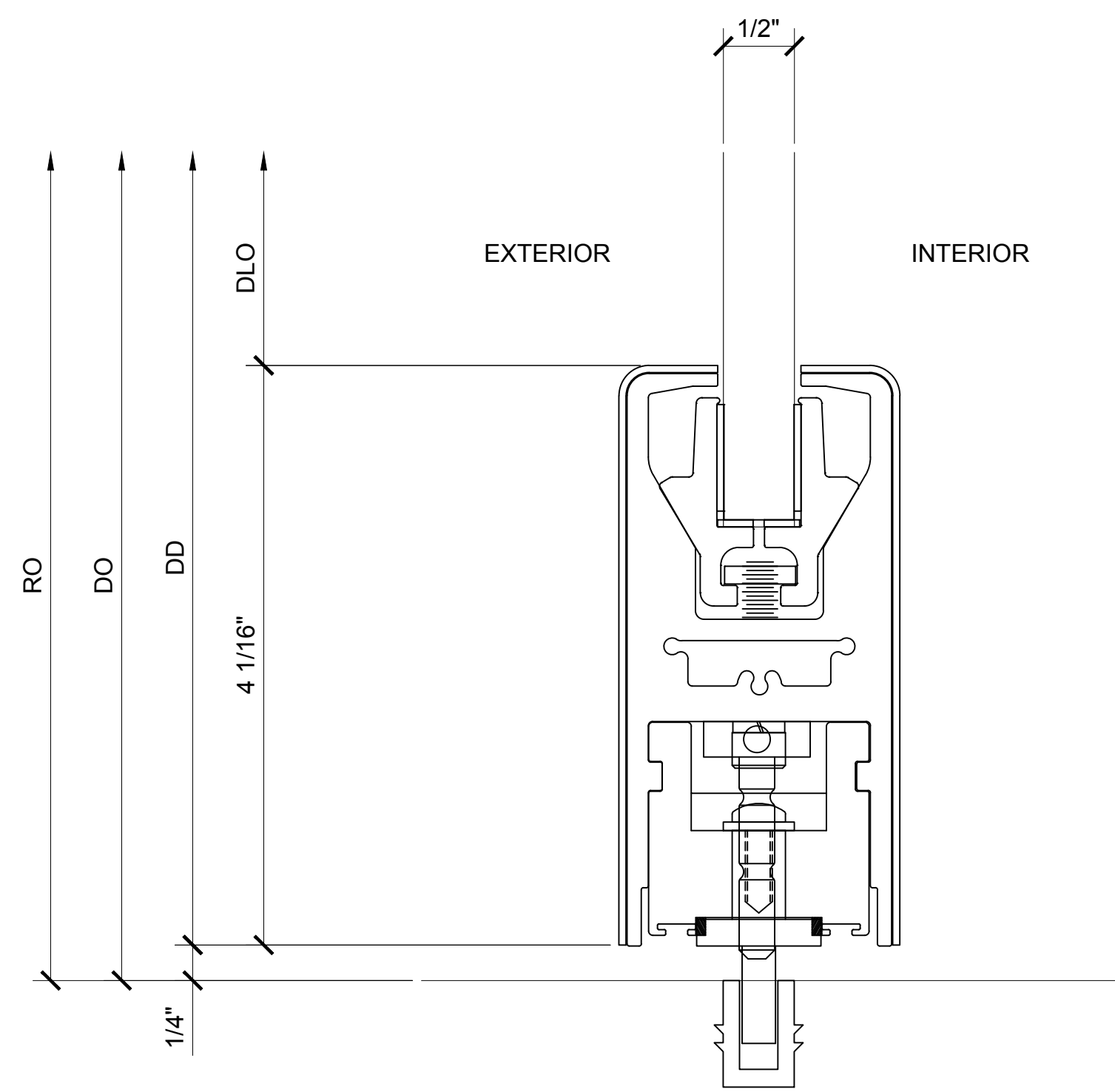
③ HEAD DETAIL

ARCH REF: N/A 1-0"=1'-0"



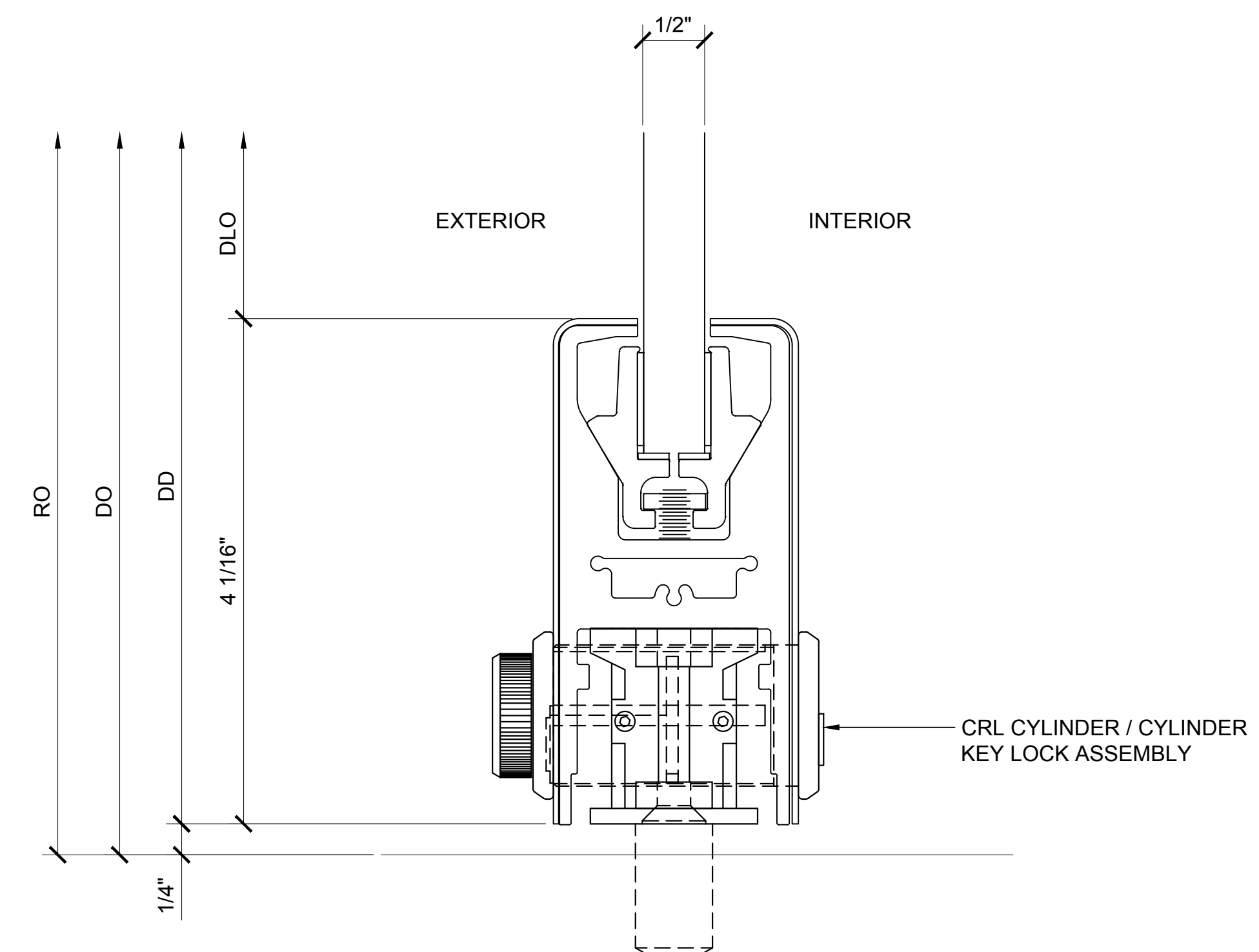
② SILL DETAIL

ARCH REF: N/A 1-0"=1'-0"



④ SILL DETAIL

ARCH REF: N/A 1-0"=1'-0"



⑤ SILL DETAIL WITH LOCK

ARCH REF: N/A 1-0"=1'-0"

Revisions By:



C.R. LAURENCE CO. ARCHITECTURAL PRODUCTS  
2503 E. Vernon Avenue, Los Angeles, CA 90058-1897  
PH (800)-421-6144 FX: 800-587-7301 www.crlaurence.com

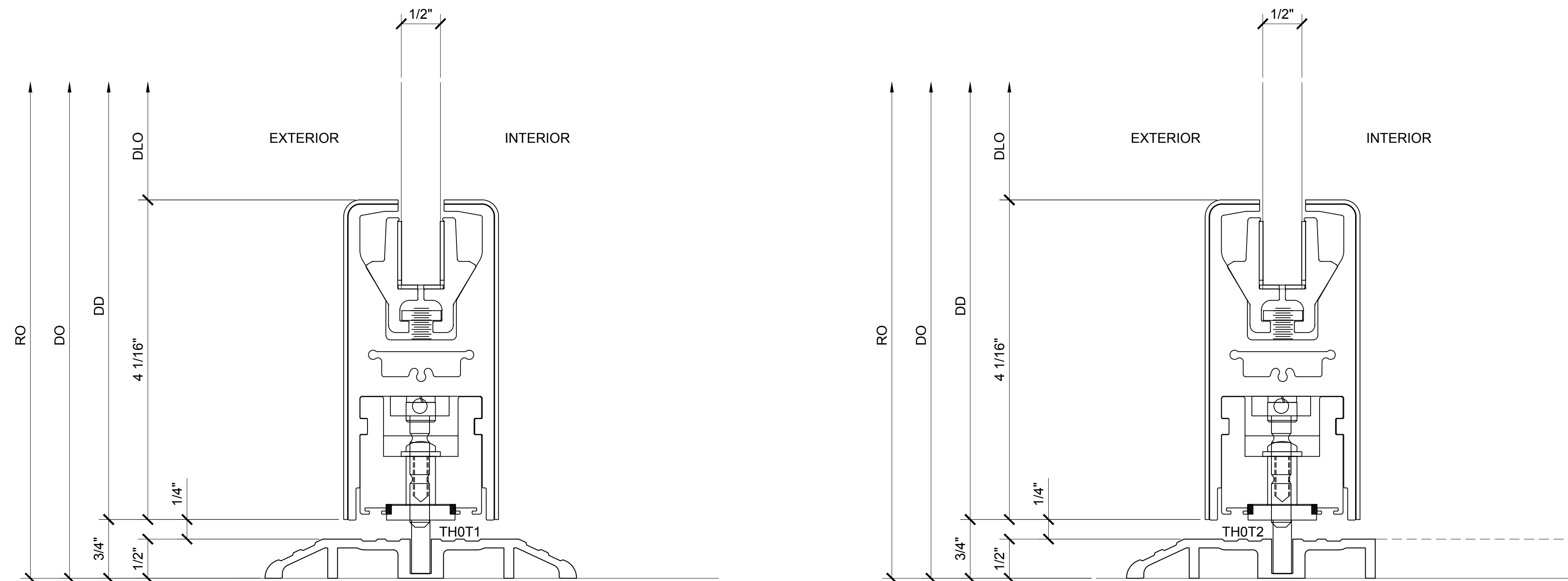
Description:  
CRL OVERHEAD TRACK  
FULL PANEL BI-FOLD  
DOOR SYSTEMS  
FOR 1/2" GLASS

Drawn By: TG  
Date: 07-31-2017  
Scale: AS NOTED  
File Name:  
System Name.dwg

Sheet



Revisions By:



**1 SILL DETAIL WITH OPTIONAL THRESHOLDS**

ARCH REF: N/A

1-0"=1'-0"

Description:  
 CRL OVERHEAD TRACK  
 FULL PANEL BI-FOLD  
 DOOR SYSTEMS  
 FOR 1/2" GLASS

Drawn By: TG  
 Date: 07-31-2017  
 Scale: AS NOTED  
 File Name:  
 System Name.dwg

Sheet

3.02