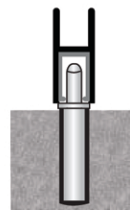
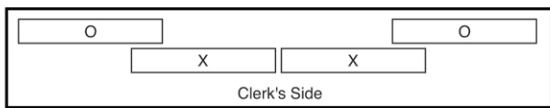
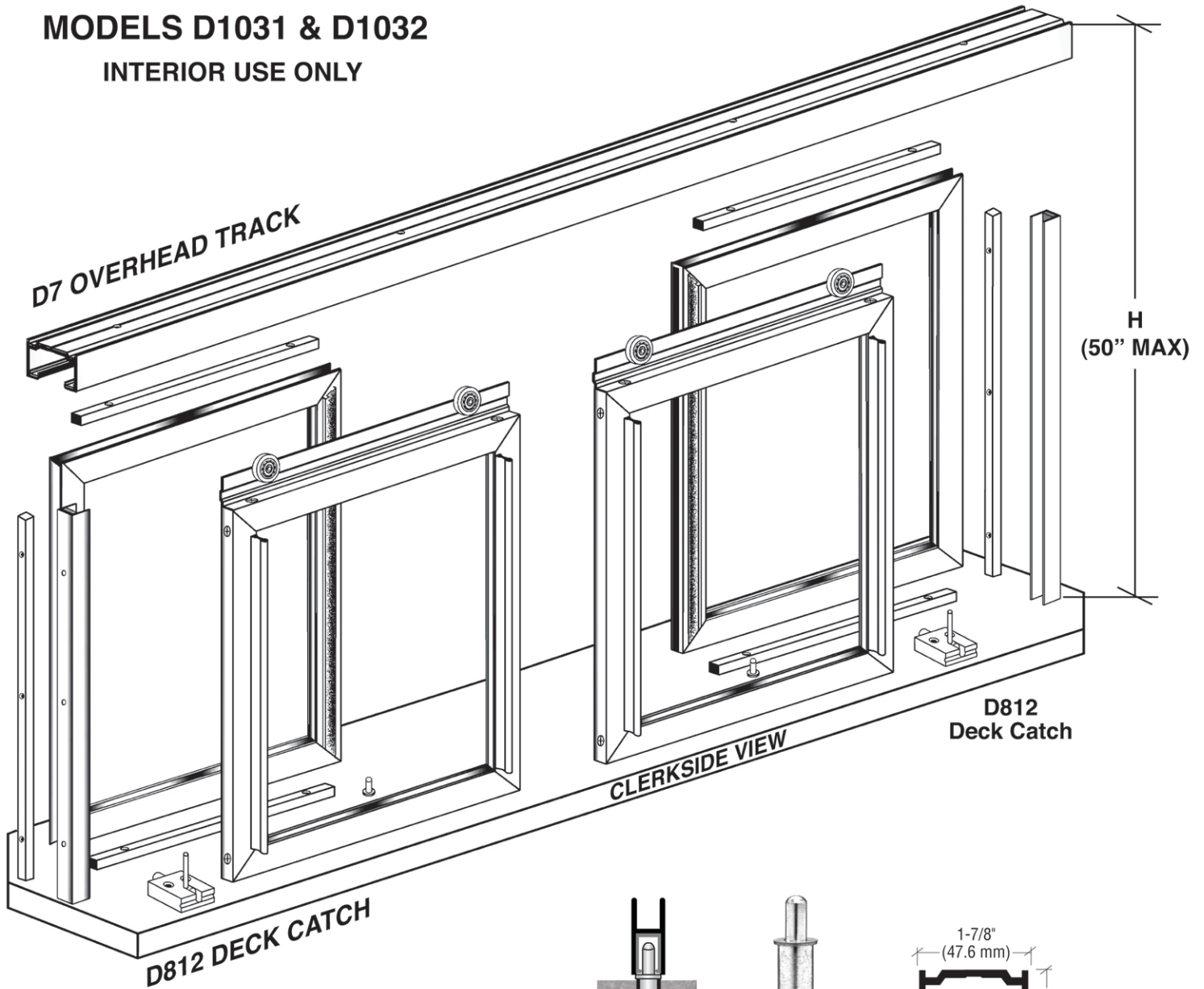


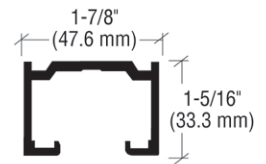
“DIANE”

MODELS D1031 & D1032

INTERIOR USE ONLY

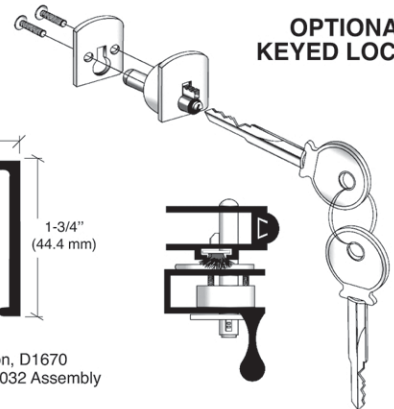


SPRING-LOADED D35 GUIDE

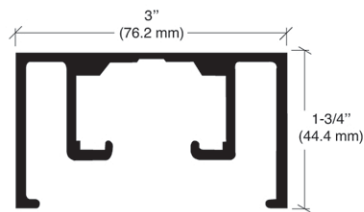
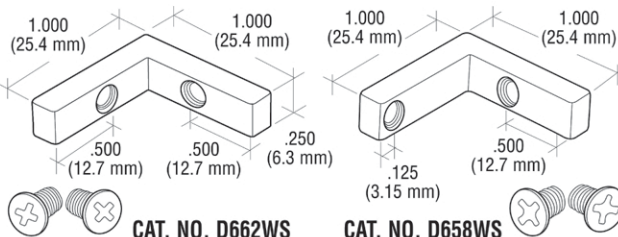


STANDARD D7 OVERHEAD TRACK SPECIFY D1031 ASSEMBLY

OPTIONAL KEYED LOCK



CRL Frame Corners With Screws



D1670 OVERHEAD TRACK
When Matching a Store Front Extrusion, D1670 Upper Track may be used. Specify D1032 Assembly