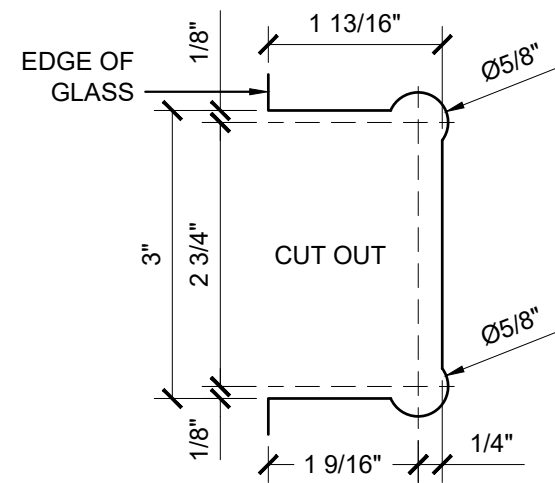
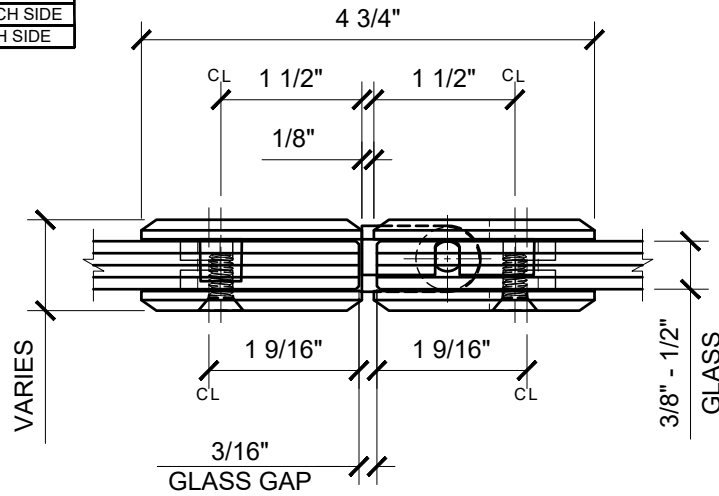
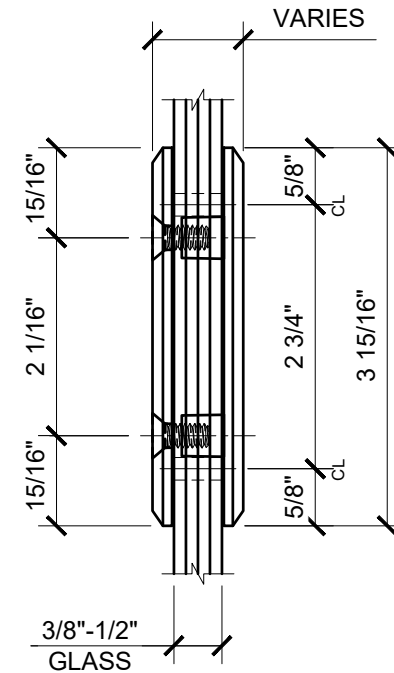
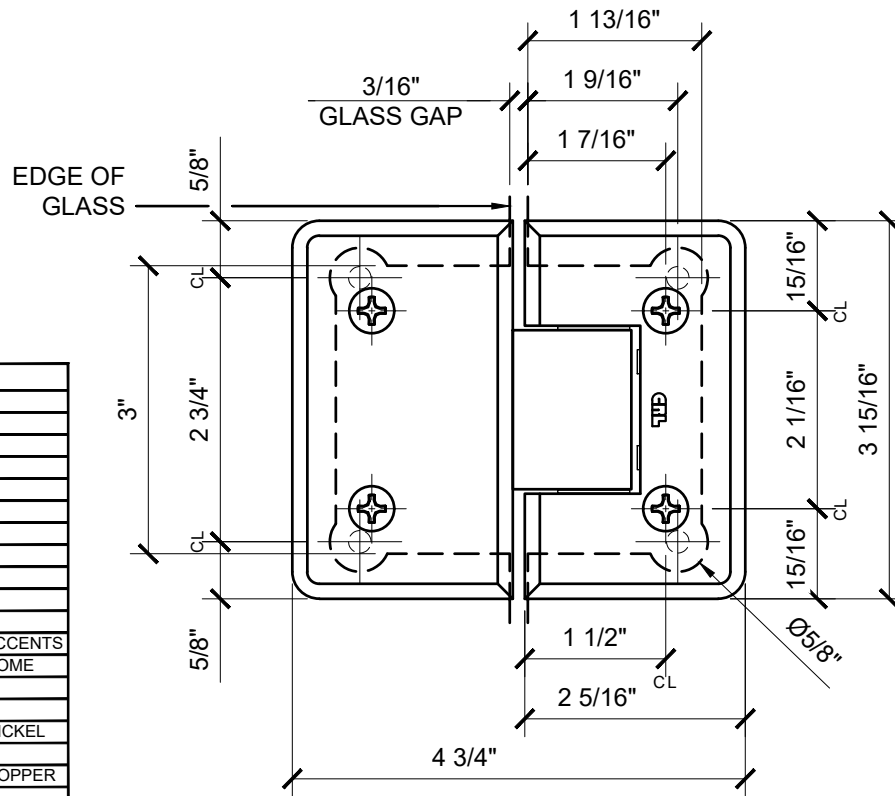


USE OF GASKETS

FOR 3/8" (10mm) GLASS: USE ONE THICK GASKET ON EACH SIDE  
 FOR 1/2" (12mm) GLASS: USE ONE THIN GASKET ON EACH SIDE



TEMPLATE FOR DOOR AND FIXED PANEL ARE THE SAME



C0L180XX - CRL COLOGNE SERIES 180° GLASS TO GLASS STANDARD HINGE

CATALOG NUMBER	FINISH
C0L180CH	CHROME
C0L180BN	BRUSHED NICKEL
C0L180PN	POLISHED NICKEL
C0L180ORB	OIL RUBBED BRONZE
C0L180BR	BRASS
C0L180MBL	MATTE BLACK
C0L180SB	SATIN BRASS
C0L180SN	SATIN NICKEL
C0L180BBRZ	BRUSHED BRONZE
C0L180SC	SATIN CHROME
C0L180ABR	ANTIQUE BRASS
C0L180BL	BLACK W/ CHROME ACCENTS
C0L180BSC	BRUSHED SATIN CHROME
C0L180GB	GOLD PLATED
C0L180AW	ALL WHITE
C0L180ABN	ANTIQUE BRUSHED NICKEL
C0L180ABRZ	ANTIQUE BRONZE
C0L180ABC0	ANTIQUE BRUSHED COPPER
C0L180GM	GUN METAL
C0L180CBA	CHROME W/ BRASS ACCENTS
C0L180BC0	BRUSHED COPPER
C0L180ABL	ALL BLACK
C0L180WC	WHITE W/ CHROME ACCENTS

C.R.LAURENCE CO. ARCHITECTURAL PRODUCTS  
 2503 E. Vernon Avenue, Los Angeles, C.A 90058-1897  
 PH (800)-421-6144 FX: 800-587-7501 www.crlaurence.com

DESCRIPTION: CRL C0L180

COLOGNE SERIES  
 180° GLASS TO GLASS STANDARD HINGE

DATE: 11/30/17

SCALE: 6"=1'-0"

DRAWN BY: VM

