

PR70 SERIES

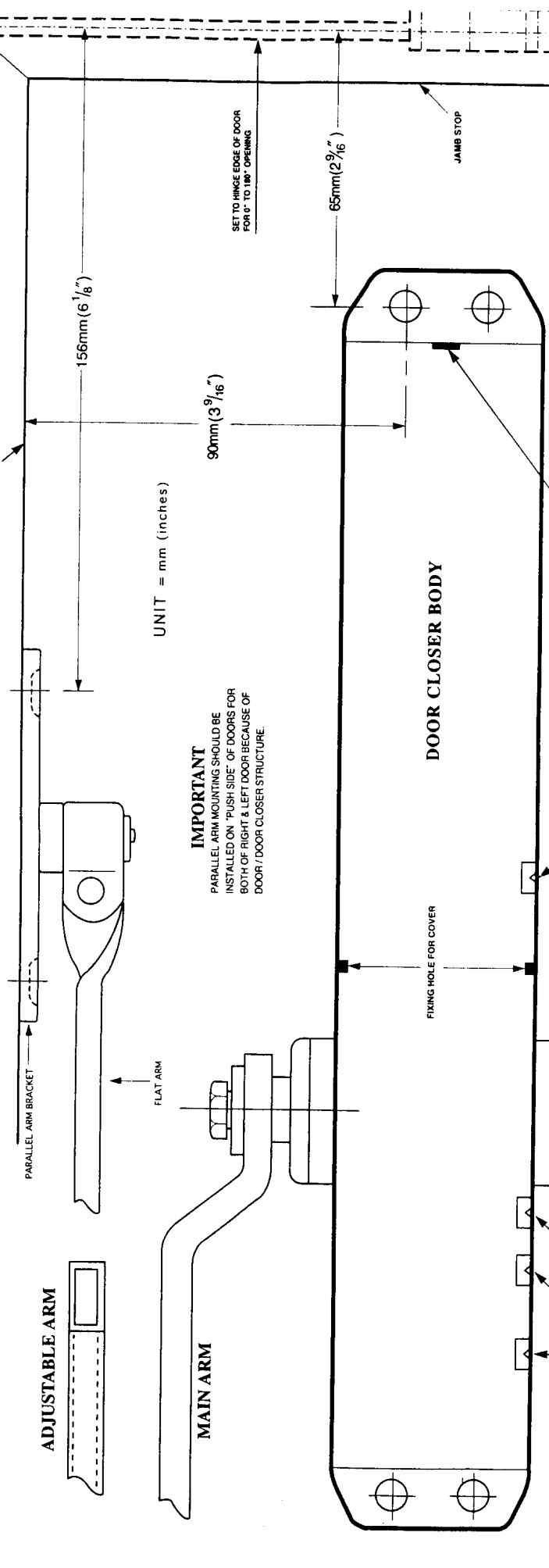
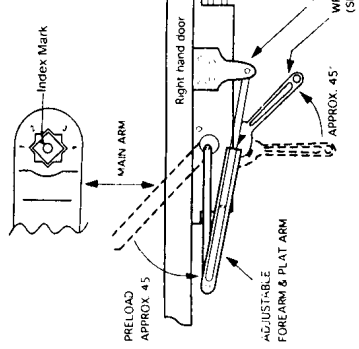
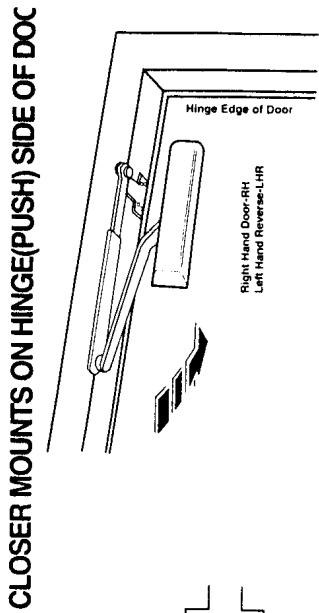
Template for PARALLEL ARM INSTALLATION CLOCKWISE OPENING (RIGHT HAND DOOR-PUSH SIDE)

CAL
Glazing, Industrial, Construction
and Automotive Supplies
Phone Toll Free (800) 421-6144
C.R. LAURENCE CO., INC.
Fax Toll Free (800) 282-3299
Locations to Serve the Industries
Throughout North America/Europe
Comp. Head Office: 58213, Lee Avenue, Causton - 0923
Website: www.crlaurence.com

FIXING SEQUENCE

FIX CLOSER BODY TO DOOR, FIT PARALLEL ARM BRACKET TO UNDERSIDE OF HEAD STOP WITH SPIGOT DOWNWARDS.
REMOVE ARM SHOE FROM FLAT ARM/WASHER ASSEMBLY. MOUNT FLAT ARM ONTO SPIGOT ON PARALLEL ARM BRACKET
AND RETAIN WITH SCREW/WASHER SUPPLIED. SLIDE CHANNEL SECTION OF ADJUSTABLE ARM MAIN ASSEMBLY ONTO
FLAT ARM, WITH SPANNER WASHER SUPPLIED. SECURE CHANNEL SECTION OF ADJUSTABLE ARM MAIN ASSEMBLY ONTO
FLAT ARM, WITH SPANNER WASHER SUPPLIED. SLIDE CHANNEL SECTION OF ADJUSTABLE ARM MAIN ASSEMBLY ONTO
AND HOLD. ALIGN 'R' AND INDEX MARK, PLACE MAIN ARM ONTO PINION SHAFT AND SECURE WITH SCREW/WASHER PROVIDED.
POSITION ADJUSTABLE ARM PARALLEL TO DOOR FACE. (See illustration). AND SECURE ADJUSTMENT WITH SCREW/WASHER SUPPLIED.
AFTER ADJUSTMENT OF THE VALVES, SNAP PINION CAP OVER SHAFT AT BOTTOM OF CLOSER AND FIX RECTANGULAR COVER WITH
TWO SCREWS INTO BOTH END SIDE OF CLOSER BODY.

IN CASE OF SOFT LINE FULL COVER, SLIDE COVER-INSERT INTO THE UN-USED CUTOUT IN COVER.
FIX WITH PROVIDED SCREW FROM TOP SIDE OF COVER. PINION CAP IS NOT NECESSARY.



IMPORTANT
PARALLEL ARM MOUNTING SHOULD BE
INSTALLED ON 'PUSH SIDE' OF DOORS FOR
BOTH OF RIGHT & LEFT DOOR BECAUSE OF
DOOR / DOOR CLOSER STRUCTURE.

LATCH SPEED VALVE

SWEEP(CLOSING)/SPEED VALVE

DELAYED ACTION VALVE

CONTROLS DELAYED CLOSING
NEVER CLOSE THIS VALVE COMPLETELY
* IF NEEDED THIS D.A. FUNCTION, DO
NOT CLOSE THE BACK CHECK VALVE

CAUTION!

DO NOT TURN ADJUSTING VALVES MORE THAN TWO FULL
TURNS ANTI-CLOCKWISE FROM THE FACTORY SET POSITION.
CLOSING ARCS 'SWEEP' AND 'LATCH' ARE CONTROLLED BY
TWO SEPARATE VALVES FIRST 'SWEEP', THEN 'LATCH' FOLLOWED
BY 'DELAY' AND LAST 'BACK-CHECK'. TO INCREASE SPEED TURN
VALVE ANTI-CLOCKWISE. TO DECREASE SPEED TURN VALVE
CLOCKWISE. ADJUST VALVES WITH HEX KEY SUPPLIED

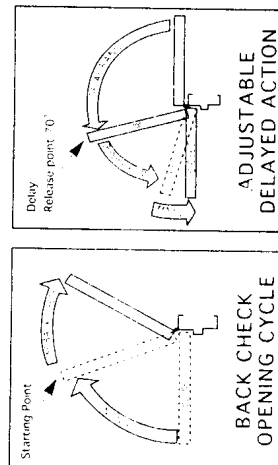
SPRING POWER ADJUSTING NUT

POSITIONED TOWARD HINGE EDGE

CONTROLS OPENING AND CLOSING FORCE
TO INCREASE TURN NUT CLOCKWISE
TO DECREASE TURN NUT ANTI-CLOCKWISE
CLOSERS ARE FACTORY ASSEMBLED
TO SIZE 3 TURN ADJUSTMENT NUT
AS SHOWN TO CHANGE CLOSER SIZE.

BACK CHECK CONTROL VALVE

CONTROLS BACK CHECK INTENSITY
TO INCREASE TURN VALVE CLOCKWISE
TO DECREASE TURN VALVE ANTI-CLOCKWISE
NEVER CLOSE THIS VALVE COMPLETELY
* IF NEEDED THIS B.C. FUNCTION, DO NOT
CLOSE THE DELAYED ACTION VALVE



POWER ADJUSTMENT CHART FOR DOOR SELECTIONS			
DOOR CLOSER SIZE	CLOCKWISE TURNS OF ADJUSTING NUT	APPLICABLE DOOR SIZE	APPLICABLE DOOR WEIGHT
PR70 SERIES PRO SERIES (SIZE 1/2 - 4)	PR70 SERIES PRO SERIES (SIZE 1/2 - 4)	INTERIOR (SWING OUT)	EXTERIOR (SWING IN)
1/2	Recommended Use: -9	N/A	22-33 Lbs (10-15 kg)
1	Recommended Use: -6	N/A	32-65 Lbs (15-30 kg)
2	Recommended Use: -3	* -3	66-98 Lbs (30-45 kg)
3	Recommended Use: 0	FACTORY SET	143-187 Lbs (65-85 kg)
4	Recommended Use: 3	FACTORY SET	187-261 Lbs (85-120 kg)
5	Recommended Use: N/A	6	261-330 Lbs (120-150 kg)
6	Recommended Use: N/A	9	330-400 Lbs (150-180 kg)

* 3 MEANS 3 TURNS TO ANTI-CLOCKWISE