

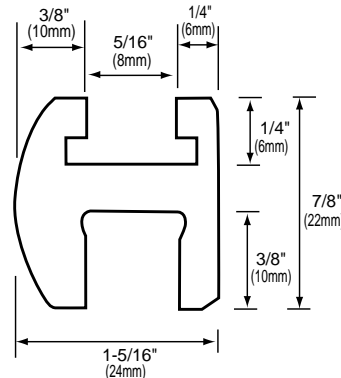
Junior Header Kit

Junior Header Kit

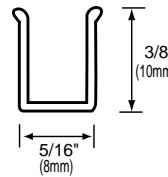
Cat. No. HEADER06-98" (2489mm) Length

Each Junior Header Kit Contains:

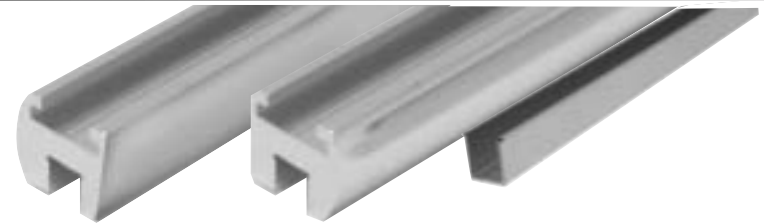
- 98" (2489mm) Header Extrusion
- 36" (914mm) Snap-in Filler for Door Pocket
- Vinyl for 1/4" (6mm) Glass
- Wall Mounting Brackets
- Four Angle Corners (Two Fixed 135° and Two Adjustable)



Junior Header Extrusion



Snap-In Filler Insert



View of Flat Side

View of Round Side

Double Profile Header Extrusion

Snap-in Filler for Door Pocket
(fits in header channel)



Clear Vinyl



135° Fixed Corner
Cat. No. CD395



Adjustable Angle Corner
Cat. No. CD373



Wall Mounting Brackets
Cat. No. CD406

Fixed 90 Degree Corners, and Junior Adaptor Block for use with Junior Pivot Hinges are not included in Junior Header Kit, and must be ordered separately (see below).

Junior Header Kit Options



90° Fixed Corner
Cat. No. CD390



Junior Prima
Installations Require
Adaptor Block

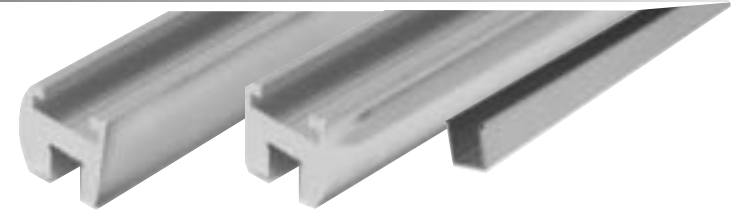


Adaptor Block for
Junior Prima Hinge
Cat. No. JRHAB01

Installation Instructions for Junior Header (Cat.No. HEADER06)

JUNIOR HEADER INSTALLATION INSTRUCTIONS

The preceding pages have addressed the installation of our Deluxe Header Kit. The Junior Header Kit is substantially similar to the Deluxe Header in many ways. Most of the information can be used to work with the Junior Header Kit. The primary difference lies in the mounting of the wall brackets.



Note: When adapting the JRPPHO1 hinge into the Junior Header, you may use the same information shown on page 3-28 with a notable exception. For the placement of the pivot hinge using 3/8" (10mm) or 5/16" (8mm) glass a dimension of 1-13/16" (46mm) has been provided as the center-line from the edge of the hinge to the center of the pivot pin. This information has been provided to aid in determining the placement of the Header Adapter block. When using the Junior Prima pivot hinge, the center-line from the edge of the hinge to the center of the pivot pin is 1-1/2" (38mm). Use this dimension for your calculations.

ATTACHING WALL MOUNT BRACKETS

The wall mount brackets are designed to fit into the slotted portion of the Junior Header Extrusion. After cutting the header to the correct size, fit the wall mount bracket into the end of the header that is to be attached to the wall. Make sure that the end of the bracket is flush with the end of the header. After assuring that the bracket is properly positioned, mark the two holes that are going to hold the bracket to the header. Remove the bracket and drill the holes for the #6 X 3/8" (10mm) stainless steel sheet metal screw. The correct size hole to be drilled is a #27 high speed drill bit. After drilling the two holes, fasten the bracket permanently to the header.

The header is ready to be placed into position so that the hole can be drilled into the wall to accommodate the wall mount bracket. Use a couple of 1" (25mm) pieces of the clear vinyl on top of the glass that the header is going to capture, in order to be assured that the header is positioned the way you want it. Once the header is in the desired position, mark the wall that will be drilled to accept the wall mount screw. Remove the header and set aside for mounting after the drilling is completed. Depending on the wall composition and backing, the installer must determine if a screw anchor is required or if the 2" (51mm) screw will reach a stud.

Put the full-length pieces of vinyl on top of the fixed glass and sleeve the header on the top of the fixed glass to the desired position. Mount the wall mount screw through the bracket and fasten it permanently to the wall.

