

C.R. LAURENCE CO., INC.

Installation Instructions

Dome Mirror Installation and Cleaning Instructions

Mounting Suggestions:

There are two suggested methods of installing Acrylic Dome Mirrors: Screw Mount or Pendulum Mount. Select the best method based on the intended location and use of your mirror.

Required Tools:

Electric Drill, Screwdriver

SCREW MOUNT

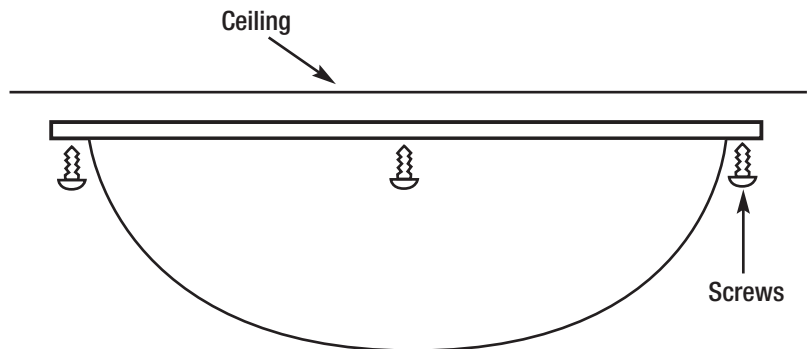
1. Position Acrylic Mirror Dome against ceiling, wall or other suitable substrate to ensure proper anchoring. Locate desired position and mark location of each hole.
2. Drill pilot hole for each screw location.
3. Use flat head or pan head screws (not supplied) to fasten the Acrylic Mirror Dome to the ceiling or wall. Caution: Do not overtighten screws as it may cause the acrylic flange to crack or break.

PENDULUM MOUNT

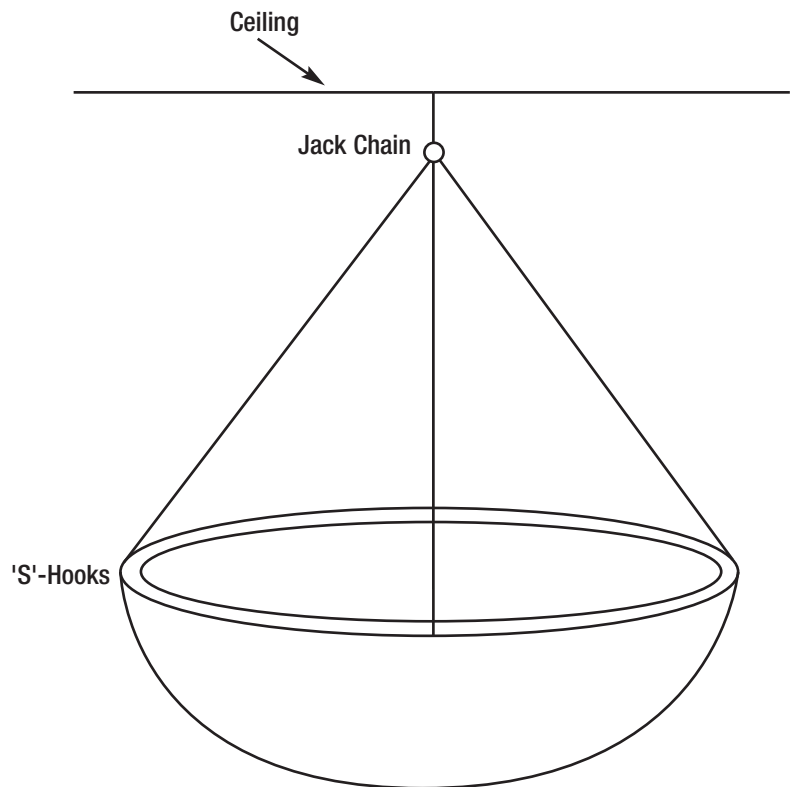
1. Insert 'S' Hooks (not supplied) thru pre-drilled holes in Acrylic dome Flange
2. Attach chain or cord (not supplied) to 'S' Hooks
3. Determine desired location to hang Acrylic Mirror Dome, drill pilot hole in ceiling, fasten screw to chain and attach to ceiling.

CLEANING INSTRUCTIONS

- DUSTING: Clean with soft, damp cloth or chamois, wiping gently.
- WASHING - Wash with mild soap or plain water. Use soft cloth or tissue.
- POLISHING - Use CRL10 Plastic Cleaner and Polish or CRL848 CRL Aerosol Plastic Cleaner



SCREW MOUNT



PENDULUM MOUNT

C.R. LAURENCE CO., INC.

C.R. Laurence is North America's largest distributor to the Glazing Industry. Hundreds of mirror related products to make your job easier and your customers more satisfied.

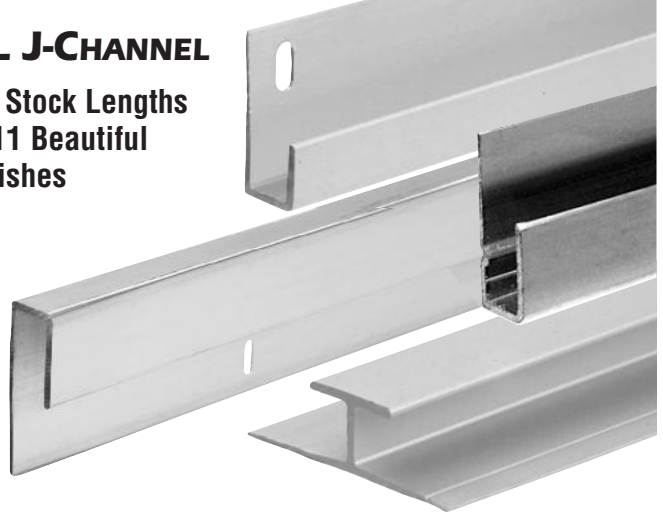
CRL GLASS AND PLASTIC CLEANERS

- Economical to Use
- Spray and Wipe Clean



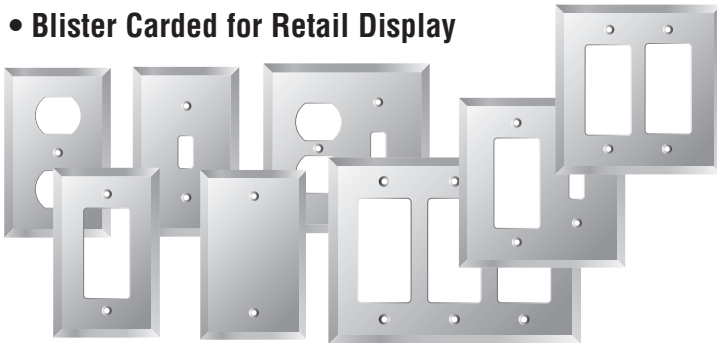
CRL J-CHANNEL

- 12' Stock Lengths in 11 Beautiful Finishes



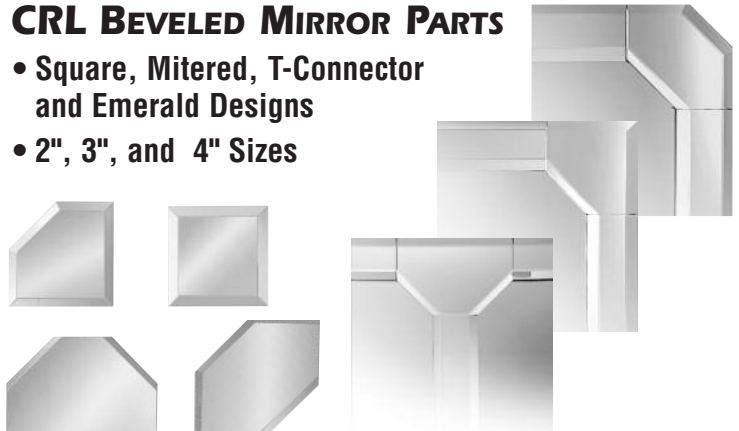
CRL MIRROR PLATES

- Available in Clear, Bronze, Gray and Peach
- Blister Carded for Retail Display



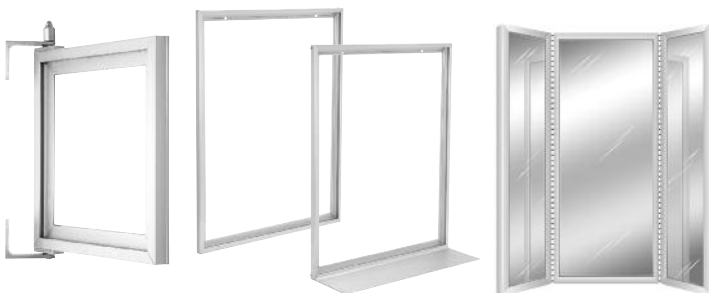
CRL BEVELED MIRROR PARTS

- Square, Mitered, T-Connector and Emerald Designs
- 2", 3", and 4" Sizes



CRL MIRROR FRAMES

- Choice of Designs and Finishes in Standard and Custom Sizes



CRL VANITY MIRRORS

- The Most Popular Styles and Finishes
- Crystal Clear Optics



We invite you to review these products and many more at www.crlaurence.com

Phone (800) 421-6144 Extension 7770 • Fax (800) 587-7501
E-Mail techsales@crlaurence.com • www.crlaurence.com

CRL

AVD3811 11/15