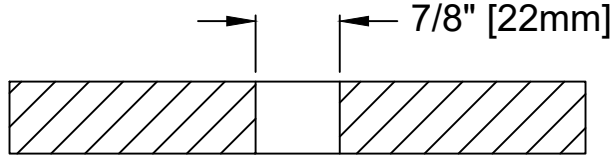
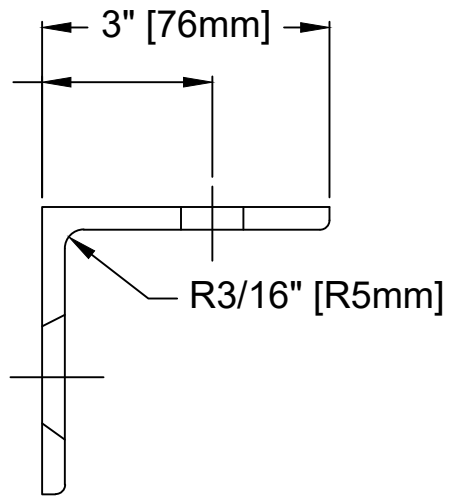
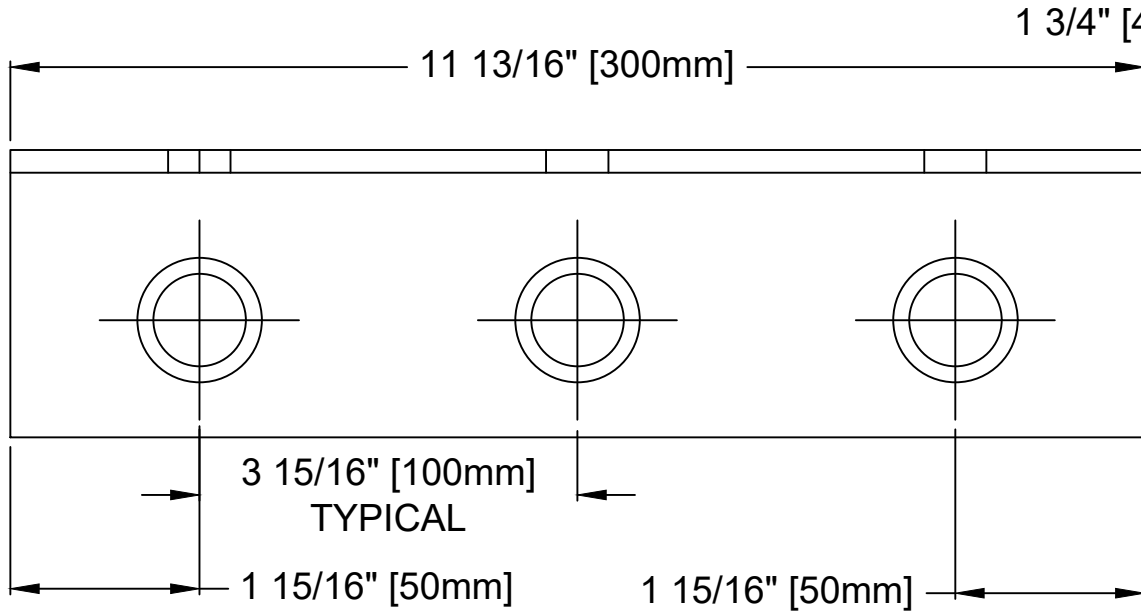
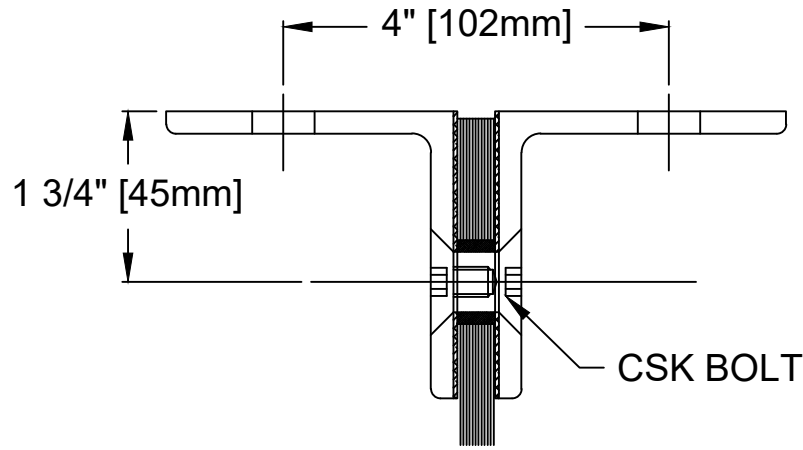


| REV | DESCRIPTION | DATE | BY |
|-----|-------------|------|----|
| | | | |
| | | | |
| | | | |



ARCHITECTURAL PRODUCTS
 PH: 800-421-6144 FX: 800-262-3299
 WWW.CRLAURENCE.COM

DESCRIPTION:
 CRL STAINLESS STEEL FIN TOP / BOTTOM SHOE FITTING FOR 3/4" GLASS

CAT. NO: FTF12BS/ FTF12PS DATE: 02-02-04

FILE NAME: SCALE: 6"=1'-0"

DRAWN BY: C.H CHECKED BY: SHT 1 OF 1