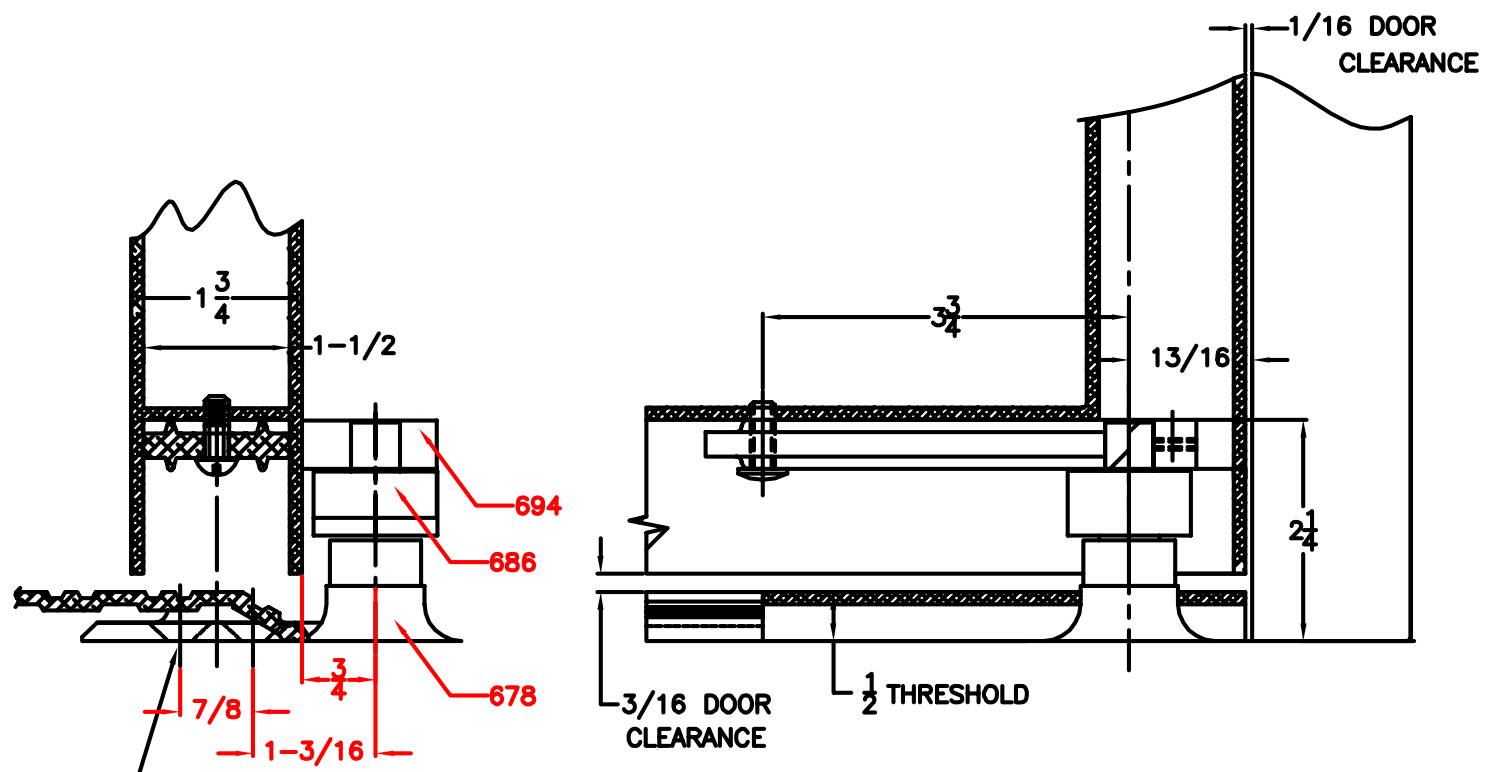


1/4-20 PAN HEAD M.S.
& LOCKWASHER (TYP. TOP & BOTTOM)



#14 x 1 1/4 F.H. TYPE A
AND #14 PLASTIC ANCHORS
(2 PLACES)

DIMENSIONAL TOLERANCES UNLESS OTHERWISE SPECIFIED	APPROVALS	DATE
DECIMAL DIMENSIONS 3X ± .010	APPROVED	
DECIMAL DIMENSIONS 3X ± .005	CHECKED	
ANGULAR ± ° FRACTIONAL ± 1/64	DRAWN	SR 2-21-88

FILE NO.	15-424A
NEXT ASSY.	FINISH
QTY. USED	1

MATERIAL	SCALE NONE
HEAT TREAT	689 OFFSET HUNG PIVOT SETx ALUM DOOR

SHEET 1 OF 1 SHEETS
DWG. NO. 15-424A
REV. A

