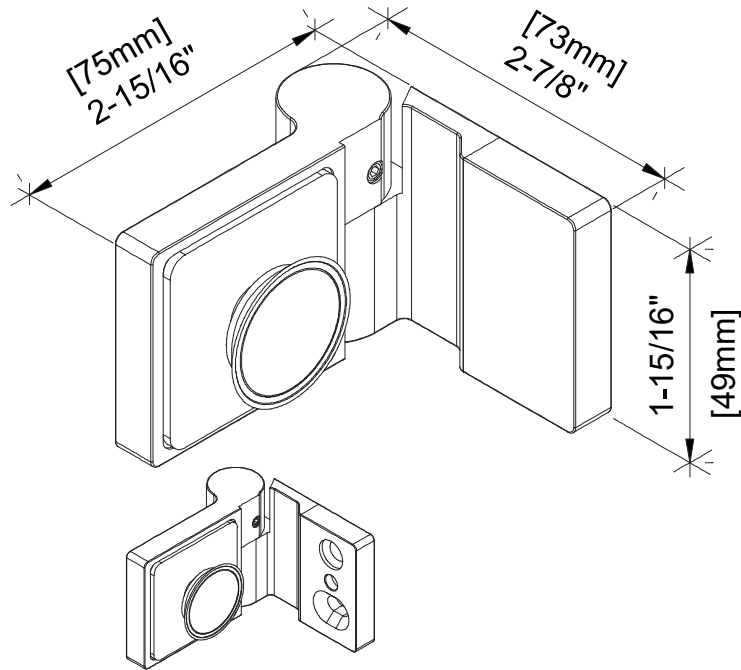


*** SEE TEMPLATE ON BACK ***
Refer to Dimensions Shown
to Ensure Accuracy



LUGANO

Wall Mount Outswing Hinge

CAT. NO. LUG044L/R

***NOTE:** Do not exceed either maximum weight or width when choosing proper quantity of hinges.

Important Information:

- 1). This is a one-direction hinge and is designed for an outswing application only. A door strike is required so the door isn't allowed to swing inward and damage the door glass.
- 2). This hinge comes equipped with a self-centering rise and fall action.

Specifications:

Glass Sizes:	5/16" (8mm) to 3/8" (10mm) thick tempered safety glass
Construction:	Solid brass
Closing Type:	Self-centering when within 60° of closed position
Cutout Required	
Includes:	Gaskets, screws and template

Maximum Door Capacities

Two Hinges

Maximum Door Weight:	99 lbs. (45 kg)
Maximum Door Width:	35-7/16" (889mm)

Use of Gaskets:

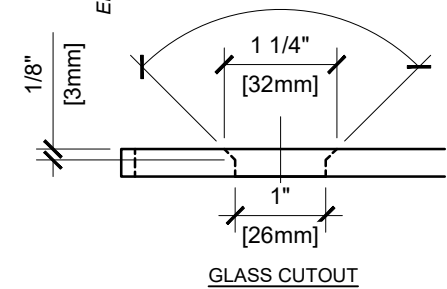
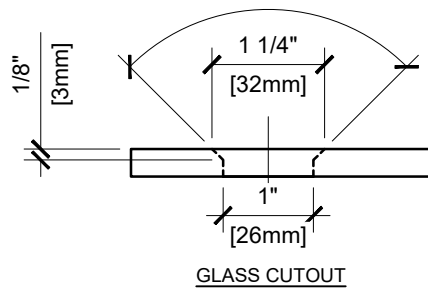
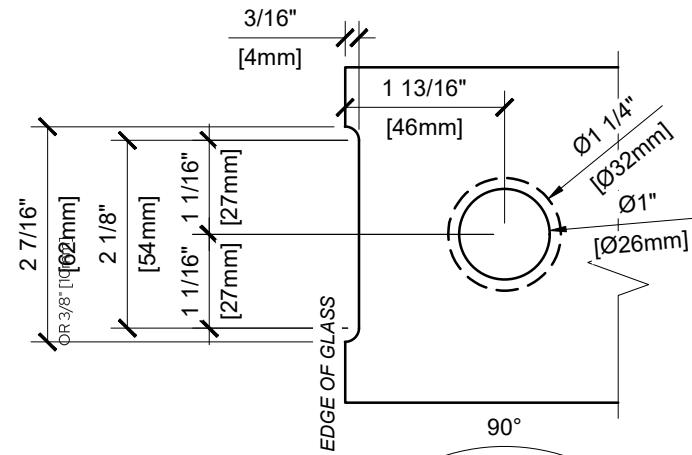
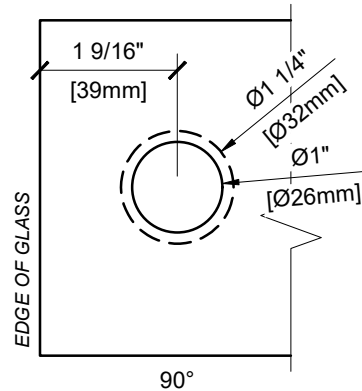
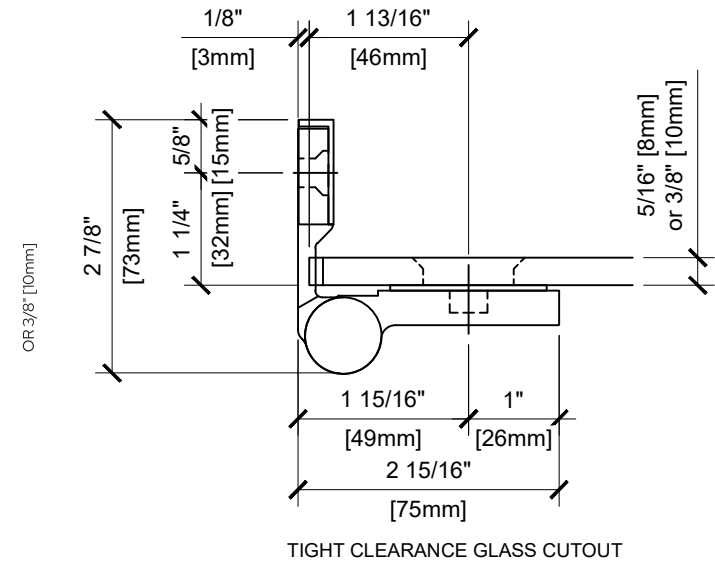
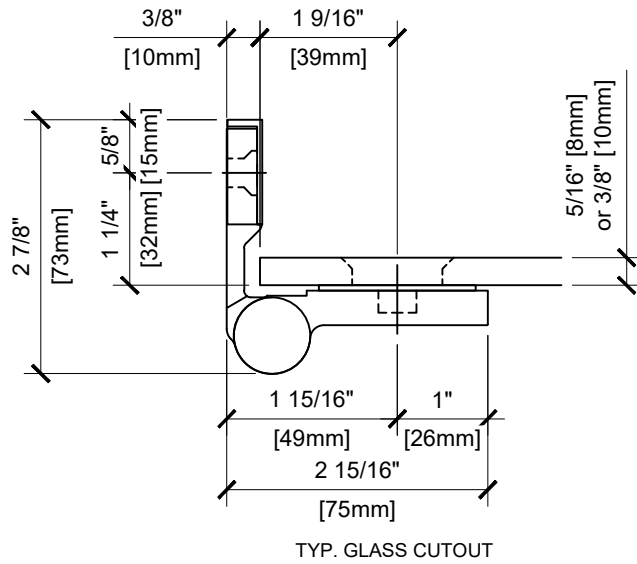
Gasket is intrgral part of Hinge, no matter the glass thickness.

Recommendations:

For public safety, we recommend the use of only tempered safety glass. Do not use power tools when installing these hinges.

Maintenance Guidelines:

- Never use an abrasive cleaner on the hardware. Many of the components are coated with a clear lacquer that will be irreparably damaged if subjected to harsh, abrasive chemicals. Advise your customer that drying the hardware with a clean, soft towel on a daily basis is the best way to maintain the hardware. If mineral deposits build-up, mix a couple of drops of a mild liquid soap (such as Ivory or a similar product) into a cup of warm water. Using a soft, non-abrasive cloth, clean the hardware. Rinse thoroughly with clean, warm water and dry.



 ALWAYS USE DIMENSIONS TO ENSURE ACCURACY

LUGANO
Wall Mount Outswing Hinge
CAT. NO. LUG044L/R