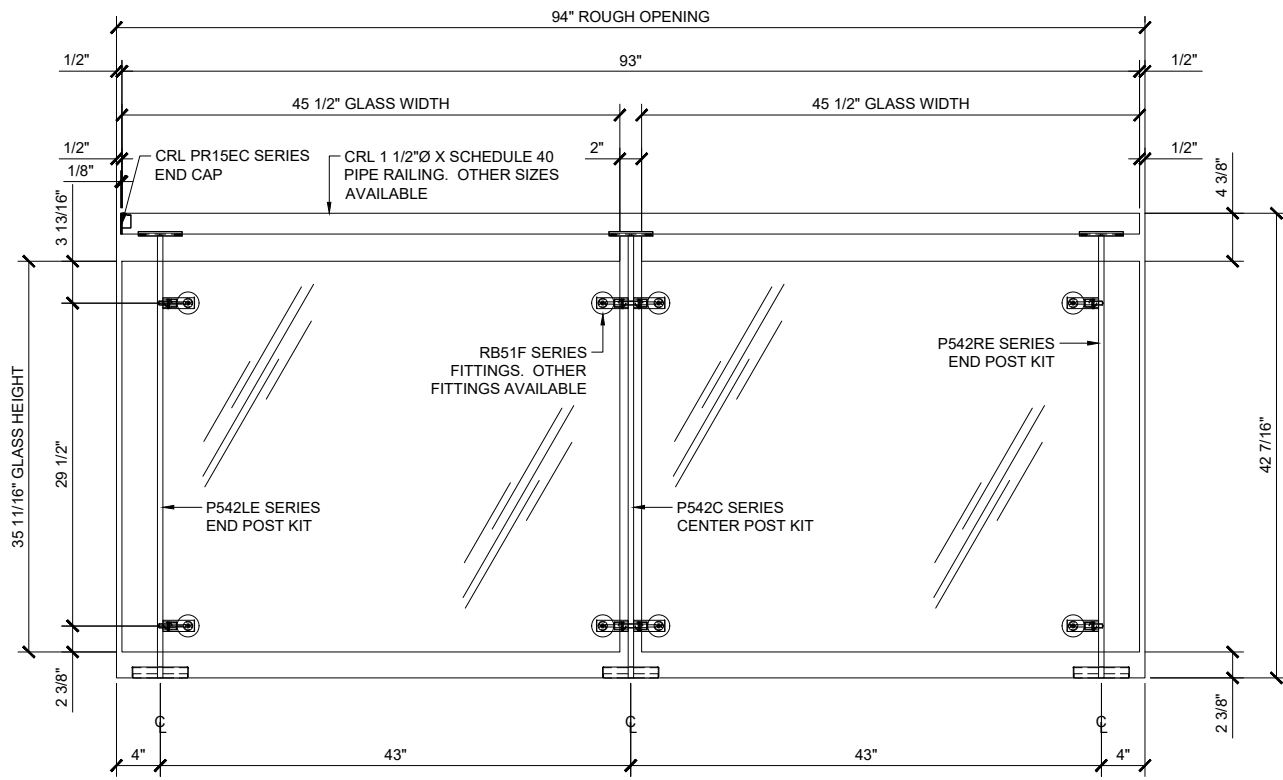
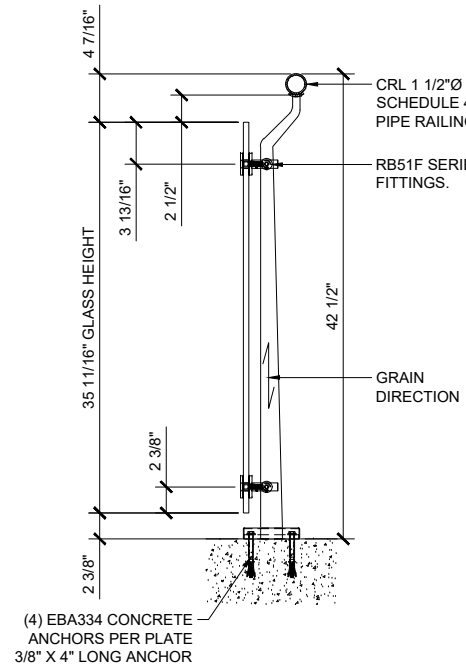


# CRL P5 SERIES POST RAILING SYSTEM

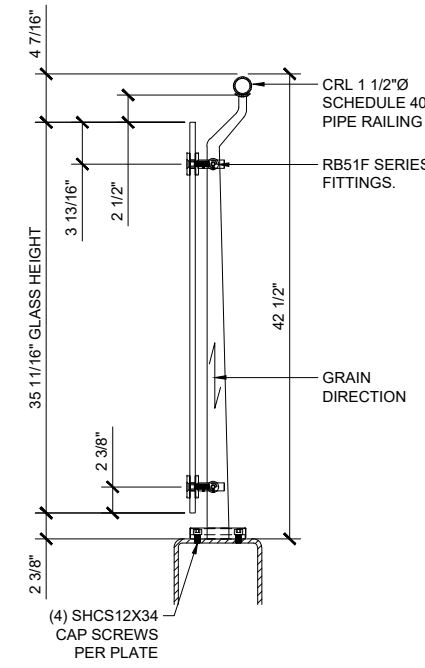
- \* DESIGNED TO ACCEPT 1/2" TO 27/32" TEMPERED GLASS
- \* TOP SADDLE SUPPORTS 1 1/4"Ø & 1 1/2"Ø SCHEDULE 40 PIPE RAILING AND 1 1/2"Ø O.D. TUBE RAILING
- \* 36" AND 42" STANDARD POST HEIGHTS WITH CUSTOM HEIGHTS AVAILABLE
- \* TWO STANDARD STAINLESS STEEL FINISHES WITH CUSTOM POWDER PAINT FINISHES ALSO AVAILABLE



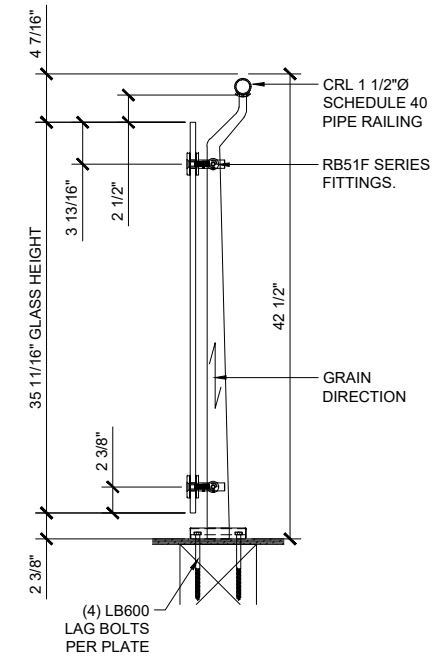
**TYPICAL ELEVATION**  
1 1/2"=1'-0"



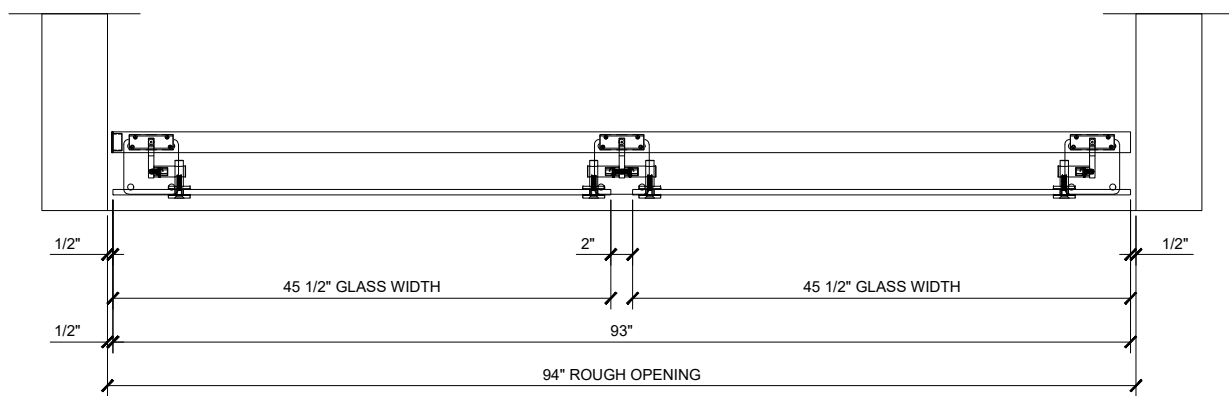
**CONCRETE MOUNT**  
1 1/2"=1'-0"



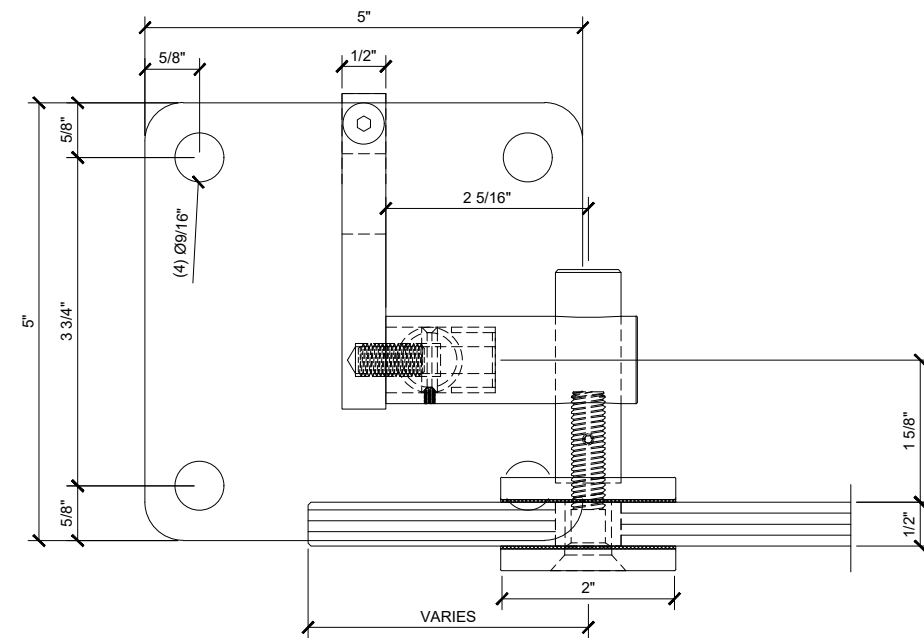
**STEEL MOUNT**  
1 1/2"=1'-0"



**WOOD MOUNT**  
1 1/2"=1'-0"



**TYPICAL PLAN VIEW**  
1 1/2"=1'-0"



**RB51F FIXED FITTING W/ FLANGE**  
SCALE: 1'-0"=1'-0"

Revisions By:

**CRL ALUMINUM**  
C.R. LAURENCE CO. ARCHITECTURAL PRODUCTS  
2503 E. Vermont Avenue, Los Angeles, CA 90058-1897  
PH: (800)-421-6144 FAX: (800)-587-7501 www.crlaluminum.com

Description:  
CRL P5 SERIES  
POST RAILING SYSTEMS  
SYS0071E

Drawn By: SDH  
Date: 03/08/2017  
Scale: AS NOTED  
File Name: SYS0071E-PS Series Stainless Steel Post Railing Systems

Sheet

1.01