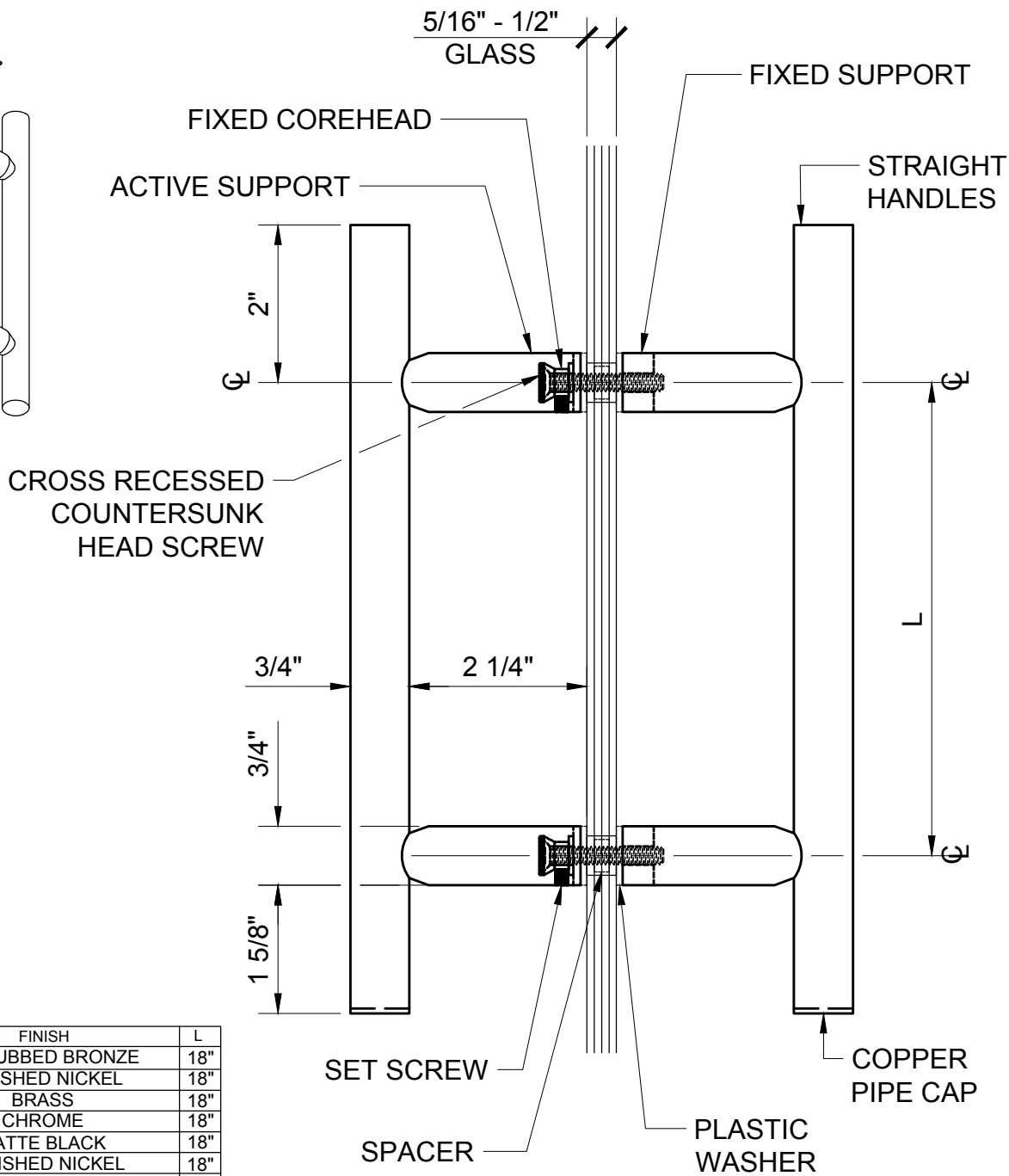
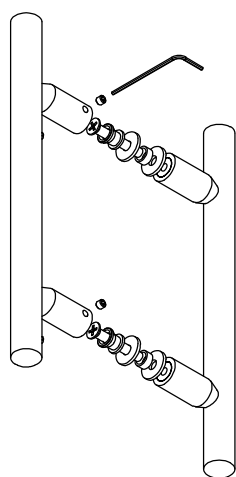


3/4" (19mm) Diameter Brass Tubing
Glass Thickness Range: 5/16" to 1/2" (8mm to 12 mm)
Hole Diameter Required: 1/2" (16 mm) (2)



PART NUMBER	FINISH	L
LTB18X180RB	OIL RUBBED BRONZE	18"
LTB18X18BN	BRUSHED NICKEL	18"
LTB18X18BR	BRASS	18"
LTB18X18CH	CHROME	18"
LTB18X18MBL	MATTE BLACK	18"
LTB18X18PN	POLISHED NICKEL	18"
LTB18X18SC	SATIN CHROME	18"
LTB24X240RB	OIL RUBBED BRONZE	24"
LTB24X24BN	BRUSHED NICKEL	24"
LTB24X24BR	BRASS	24"
LTB24X24CH	CHROME	24"
LTB24X24MBL	MATTE BLACK	24"
LTB24X24PN	POLISHED NICKEL	24"
LTB24X24SC	SATIN CHROME	24"



C.R. LAURENCE CO. ARCHITECTURAL PRODUCTS
 2503 E. Vernon Avenue, Los Angeles, C.A 90058-1897
 PH (800)-421-6144 FX: 800-587-7501 www.crlaurence.com

DESCRIPTION:
 LADDER SERIES BACK TO BACK TOWEL BAR
 PART #:
 SEE CHART

DATE: 11/4/2018
 SCALE: NTS
 DRAWN BY: VM