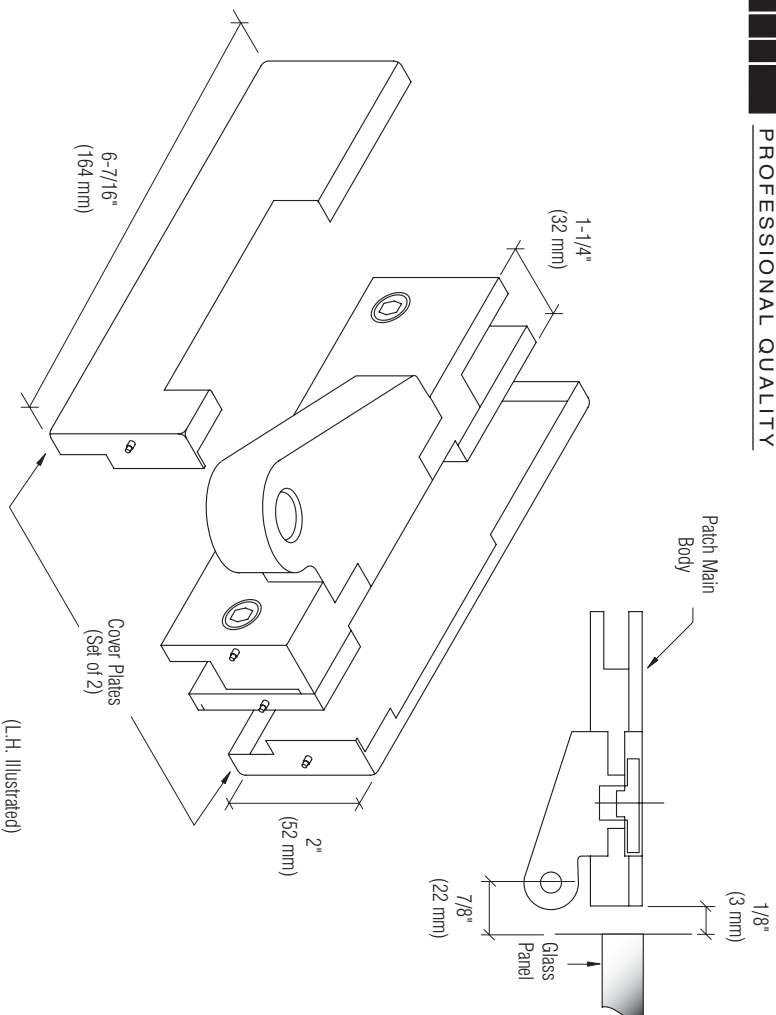


## Important Information:

The CRL Offset Door Patch is designed to allow the doors to be able to swing a full 180°. The center of the pivot point is measured from the centerline of glass out and from the edge of the opening in. These patches can be used only on single acting doors.

### Minimum Bottom Door Clearances

Pivot or Floor Closer Cat. No.	OPF10 Bottom Patch	CRL Offset Door Rail
Floor Closer	1/4" (6.35 mm)	1/4" (6.35 mm)
1NT402 Bottom Pivot	7/16" (11.5 mm)	7/16" (11.5 mm)
1NT403 Adj. Bottom Pivot	3/8" (9.5 mm)	N/A
1NT406 Adj. Bottom Pivot	1/4" (6.35 mm)	1/4" (6.35 mm)



# CRL OFFSET DOOR PATCH

Door Top or Bottom Patch

**Cat. No. OPF20L, OPF20R, OPF10L, OPF10R**

*Maximum Capacities	3/8" (10 mm) Weight	Door Width 43-3/8"	1/2" (12 mm) Weight	Door Width 43-3/8"
Top & Bottom Patches	176 lbs. (80 kg)	(1100 mm)	176 lbs. (80 kg)	(1100 mm)

**NOTE:** Both weight and door width capacities must be met when determining door size.

## Specifications:

**Glass Sizes:** 3/8" (10 mm) to 1/2" (12 mm) Thick Tempered Safety Glass

**Construction:** High Density Casting

**Glass Fabrication Required:** Cut-Out and Hole Required - See Reverse

**Includes:** Screws and Gaskets for 3/8" (10 mm) and 1/2" (12 mm) Glass

**Available Patches:**

- OPF10L
- OPF10R
- OPF20L
- OPF20R

**Available Finishes:**

- Brushed Stainless Steel
- Polished Stainless Steel



## Use of Gaskets:

**For 3/8" (10 mm) Glass:** Use two gaskets on each side

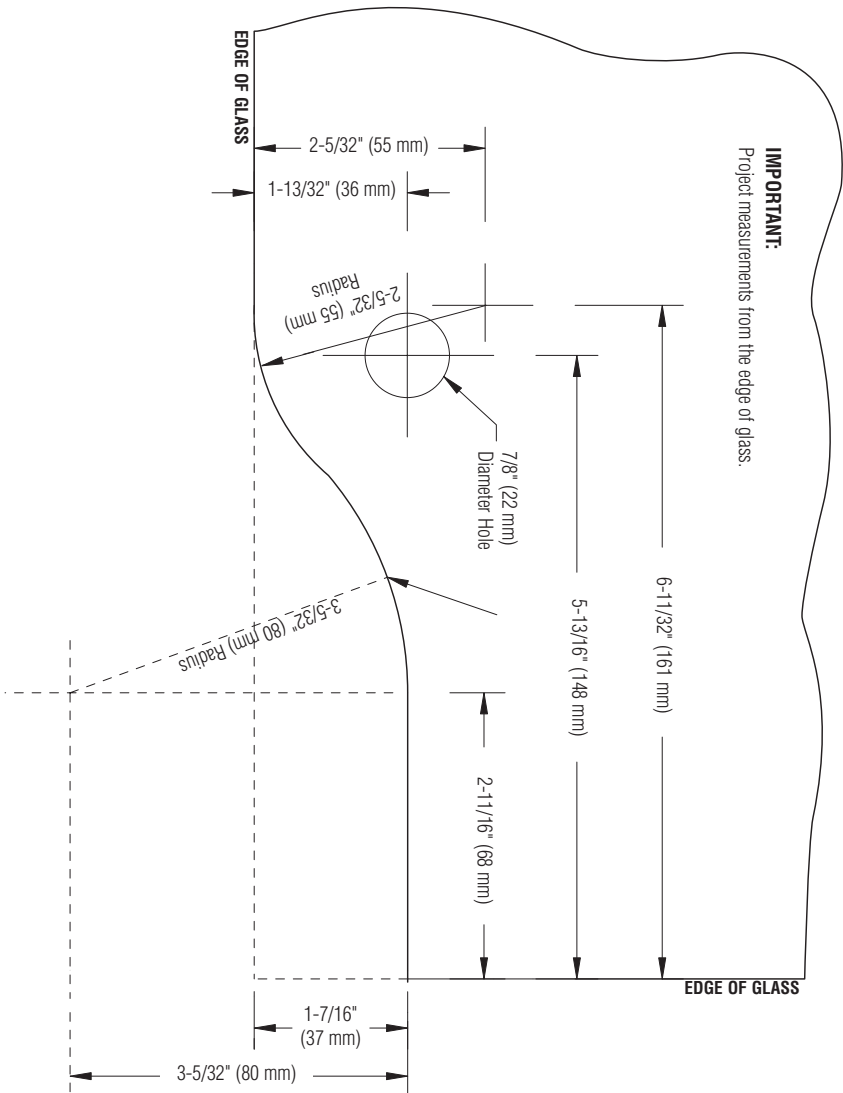
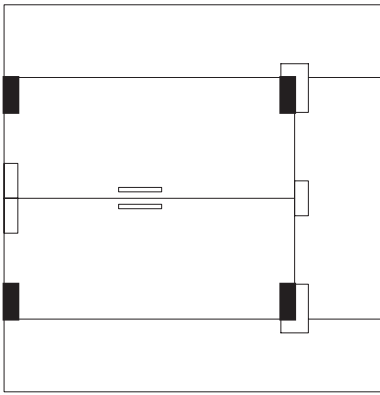
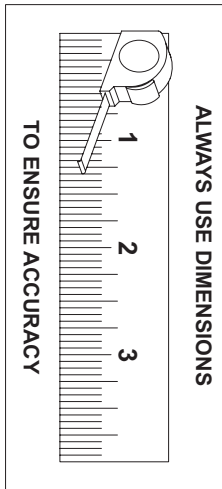
**For 1/2" (12 mm) Glass:** Use one gasket on each side

## Recommendations:

For public safety, we recommend the use of tempered safety glass only

## SEE TEMPLATE ON BACK

Refer to Dimensions Shown to Ensure Accuracy



# CRL OFFSET DOOR PATCH

Offset Pivot Door Top and Bottom Patch

Applicable to Cat. No.: **OPF20L, OPF20R, OPF10L, OPF10R**

