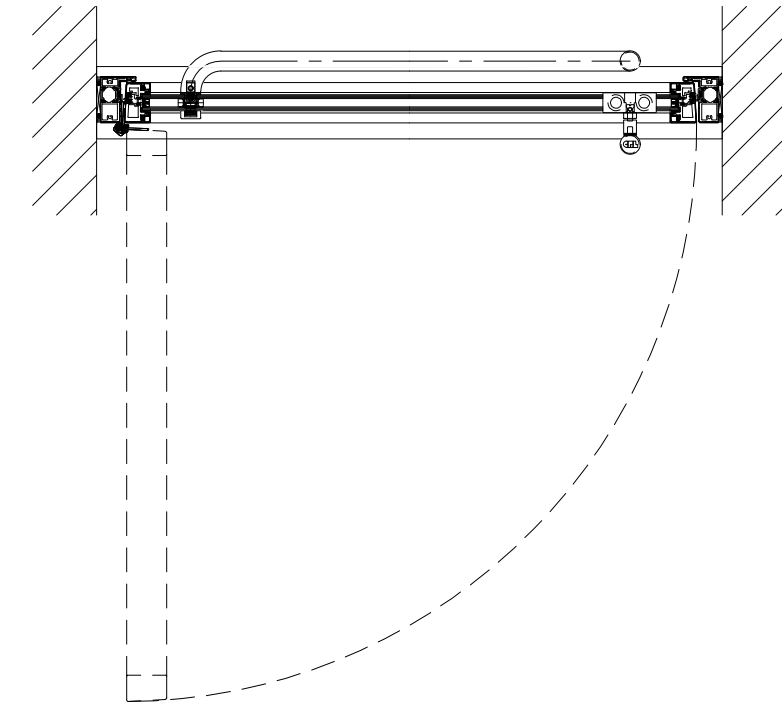
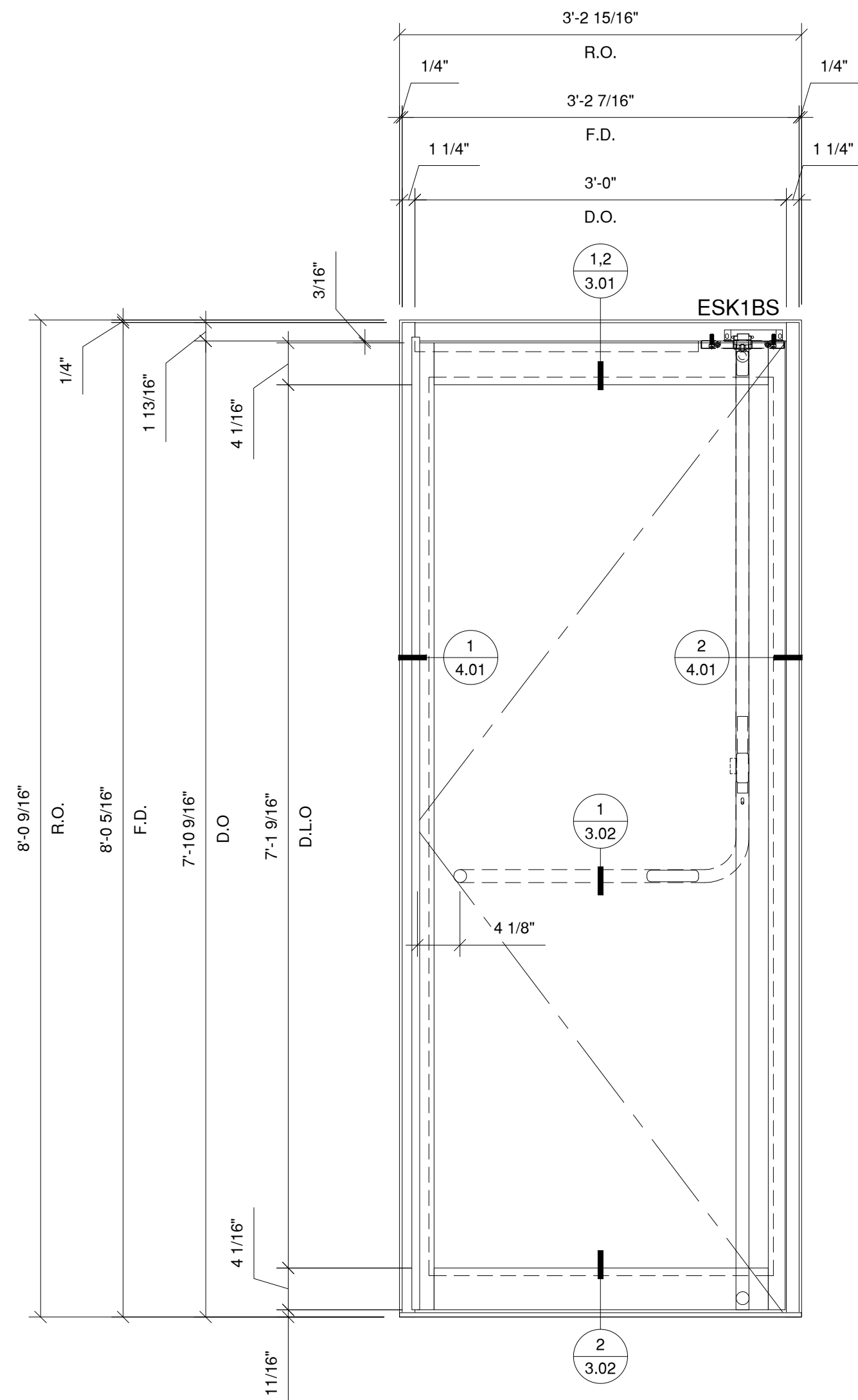


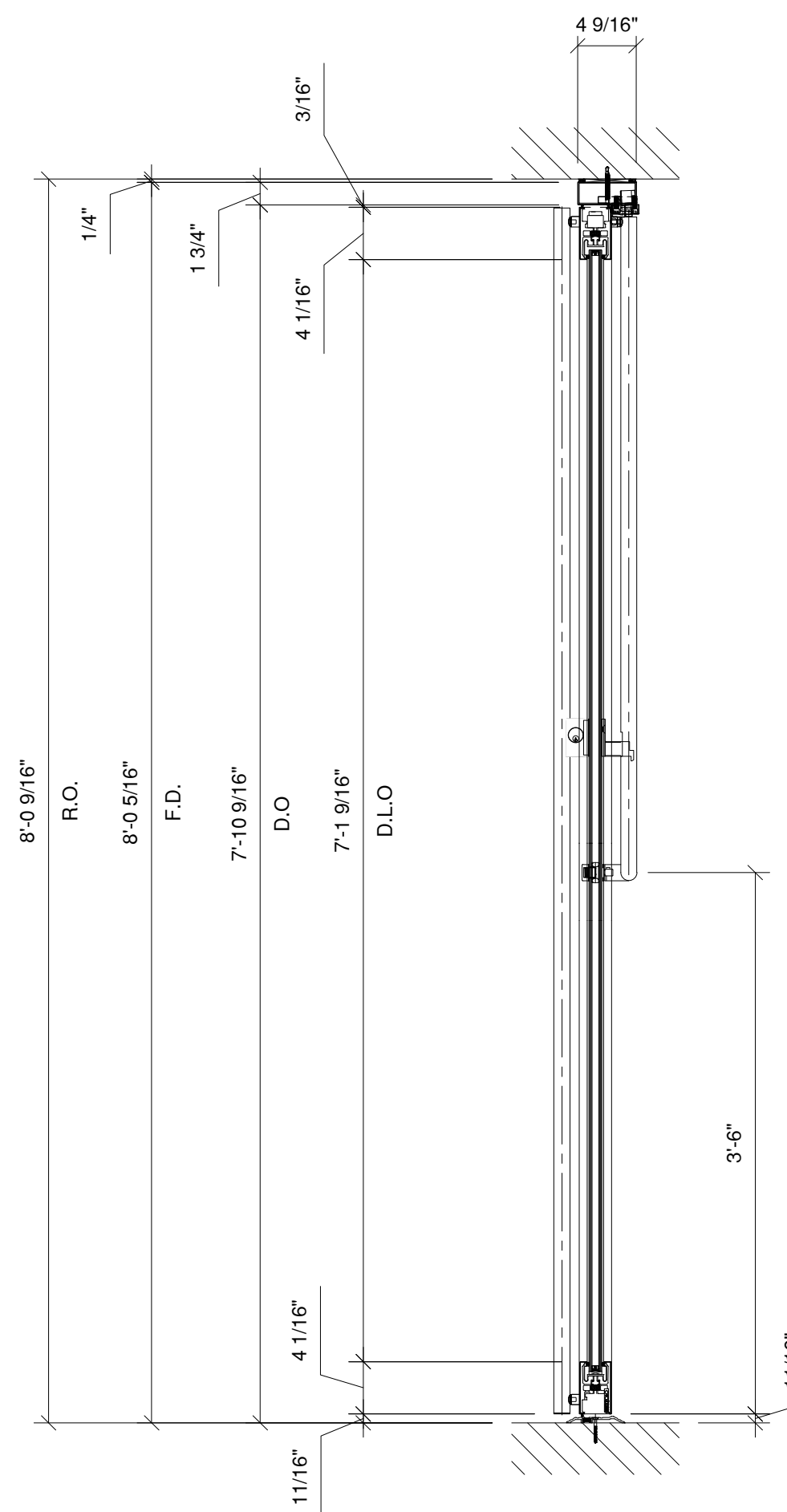
ENTICE HP+ SERIES ENTRANCE SYSTEM (FINISH: BS, PS, SB, PB, SA, DU)  
 - OFFSET HUNG SINGLE DOOR WITH 4 INCH BOTTOM RAIL



**1 PLAN**  
 1" = 1'-0" ARCH. REF.: N/A



**2 EXTERIOR ELEVATION**  
 1" = 1'-0" ARCH. REF.: N/A



**3 DOOR SECTION**  
 1" = 1'-0" ARCH. REF.: N/A

Revisions By:

**CRL**

2503 E. Vernon Avenue, Los Angeles, CA 90058, 1897  
 PH: (800)-421-1144 FX: (800)-587-7501 www.crlaurence.com

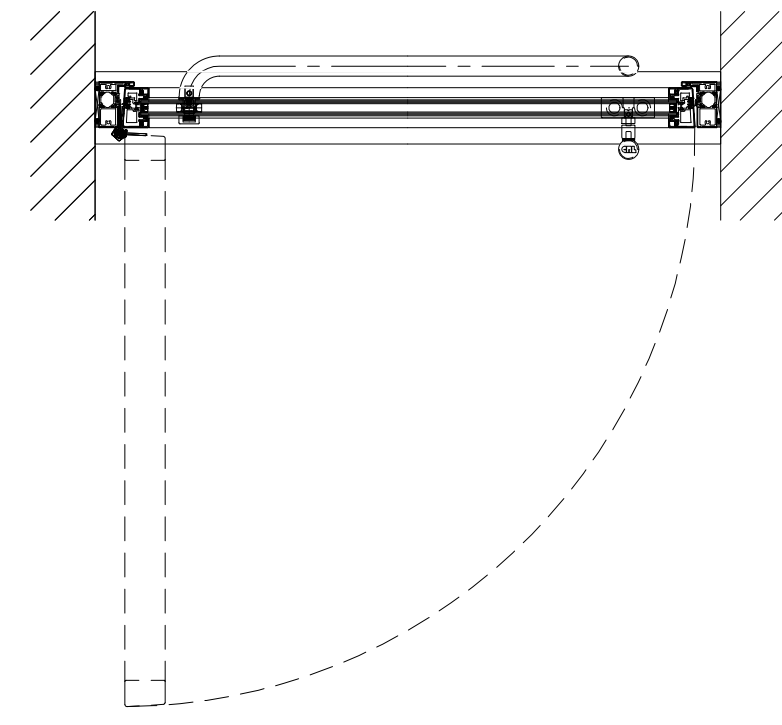
Description:  
 ENTICE HP+ SERIES  
 ENTRANCE SYSTEM  
 CLAD IN STAINLESS STEEL  
 OR BRASS + ALUMINUM

Drawn By: RPD  
 Date: 07/07/23  
 Scale: AS NOTED  
 File Name:  
 Entice Entrance System HP+.dwg

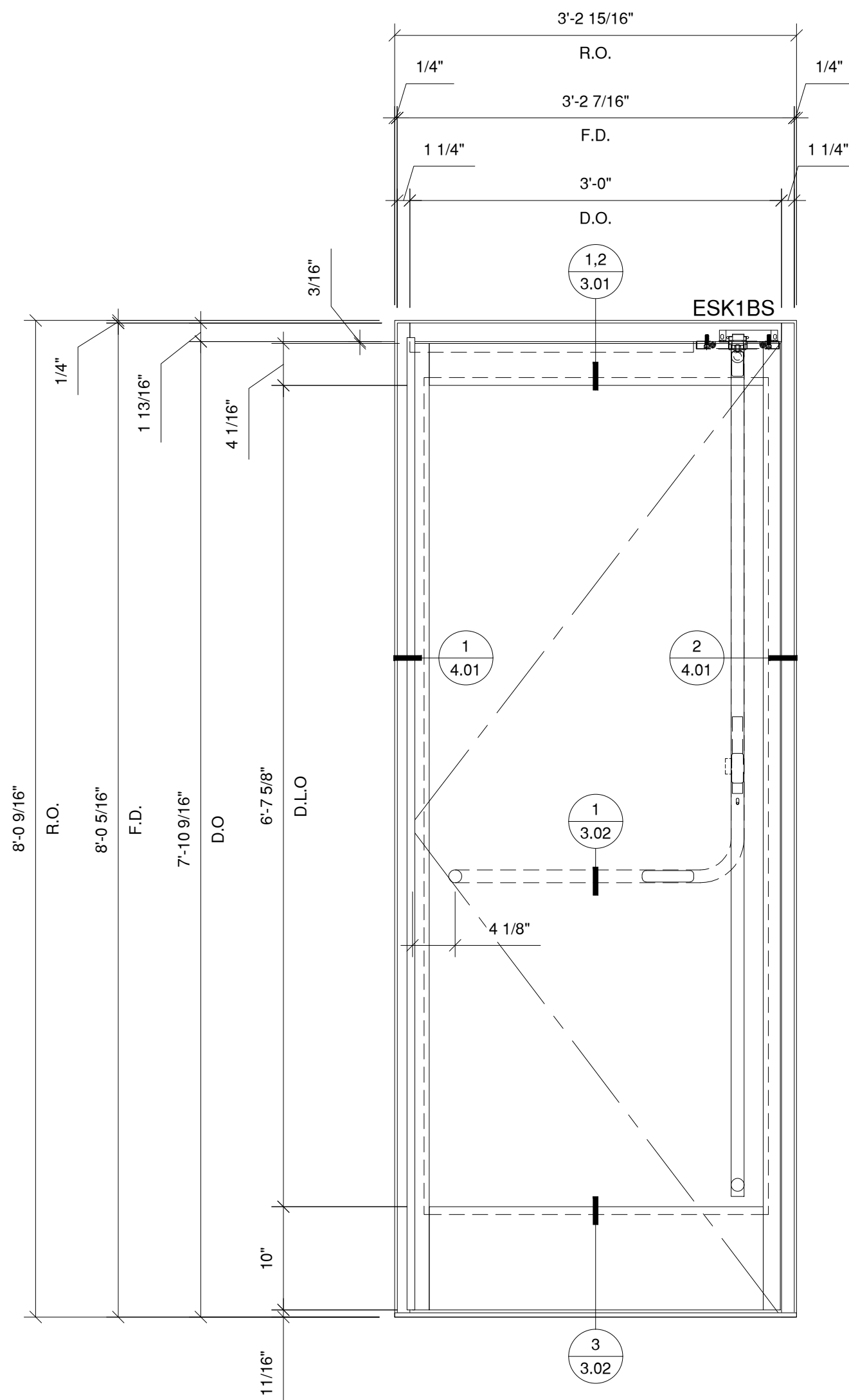
Sheet

1.01

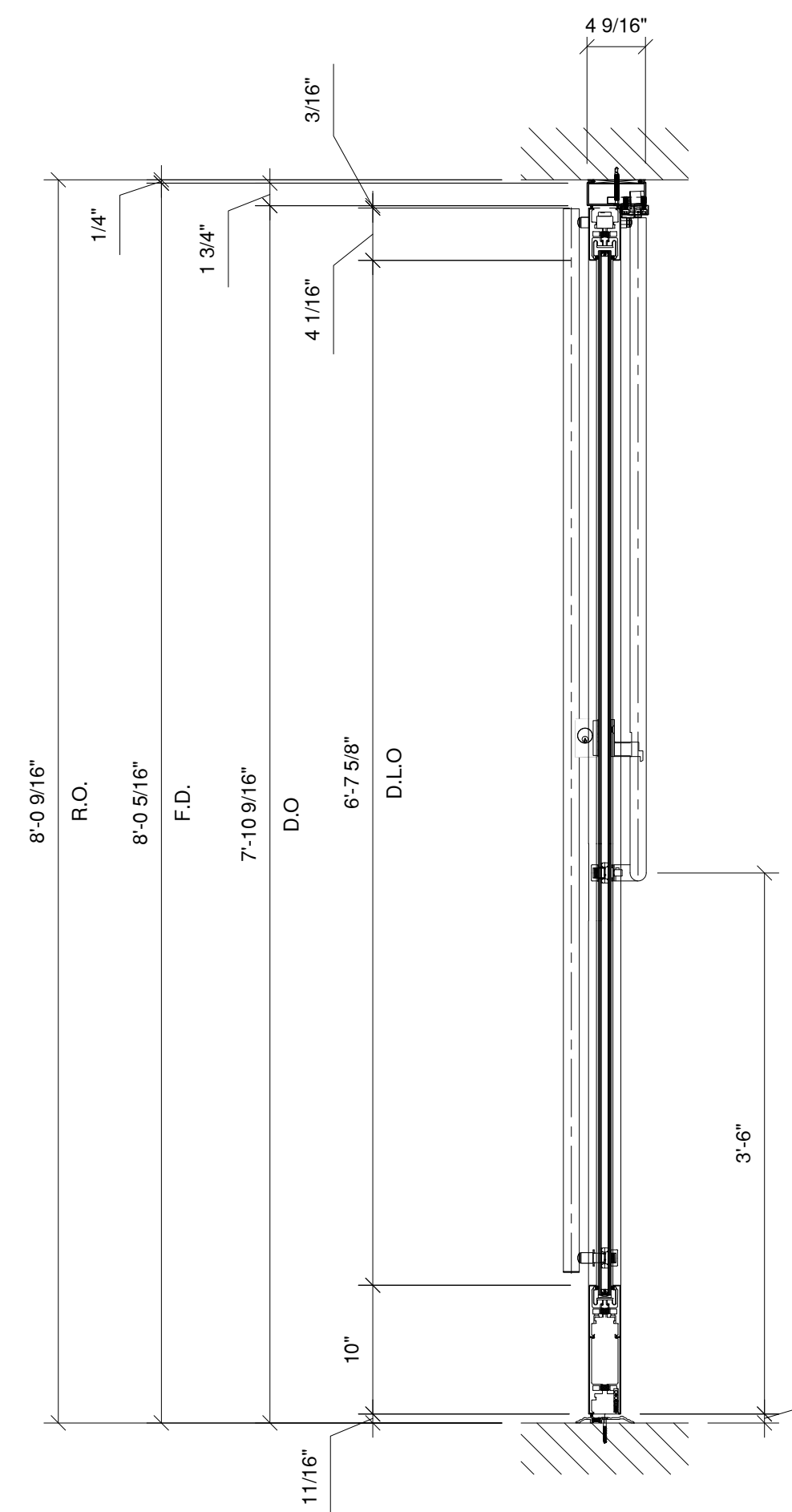
ENTICE HP+ SERIES ENTRANCE SYSTEM  
 - OFFSET HUNG SINGLE DOOR WITH 10 INCH BOTTOM RAIL



**1 PLAN**  
 1" = 1'-0" ARCH. REF.: N/A



**2 EXTERIOR ELEVATION**  
 1" = 1'-0" ARCH. REF.: N/A



**3 DOOR SECTION**  
 1" = 1'-0" ARCH. REF.: N/A

Revisions By:

**CRL**

2500 E. Vernon Avenue, Los Angeles, CA 90058, 1997  
 PH: (800)-421-1444 FX: (800)-587-7501 www.crlaurence.com

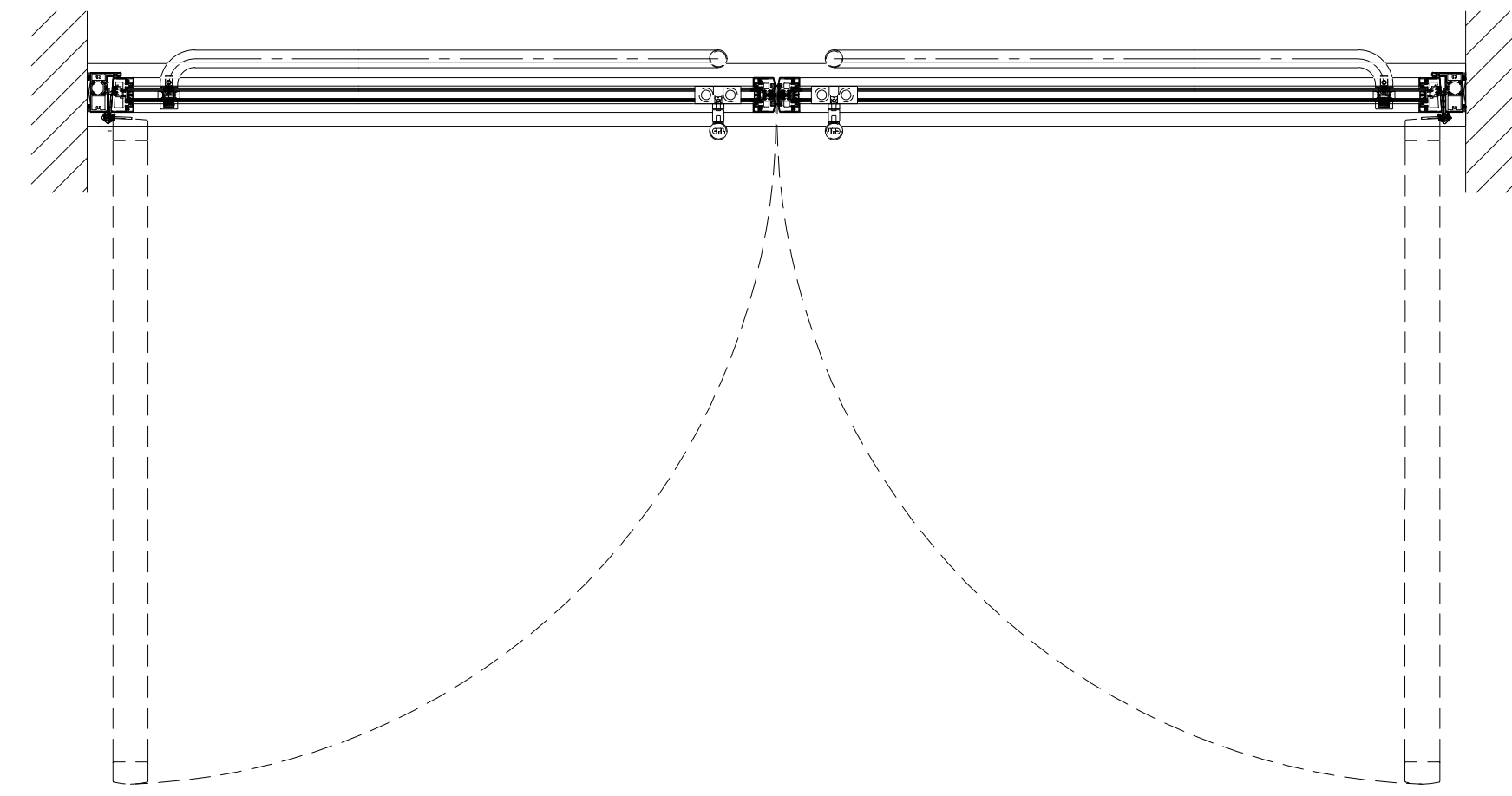
Description:  
 ENTICE HP+ SERIES  
 ENTRANCE SYSTEM  
 CLAD IN STAINLESS STEEL  
 OR BRASS + ALUMINUM

Drawn By: RPD  
 Date: 07/07/23  
 Scale: AS NOTED  
 File Name:  
 Entice Entrance System HP+.dwg

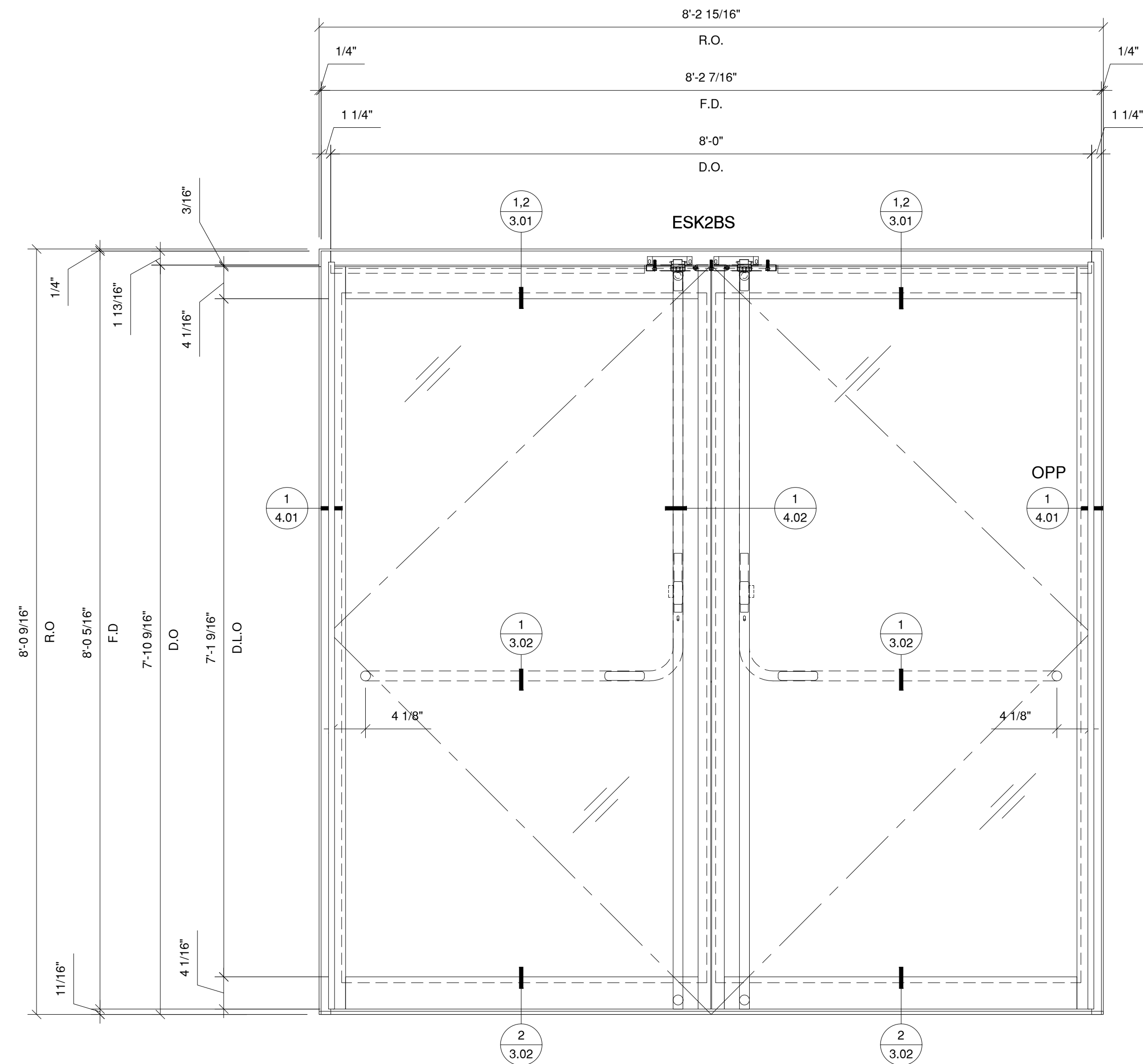
Sheet

1.02

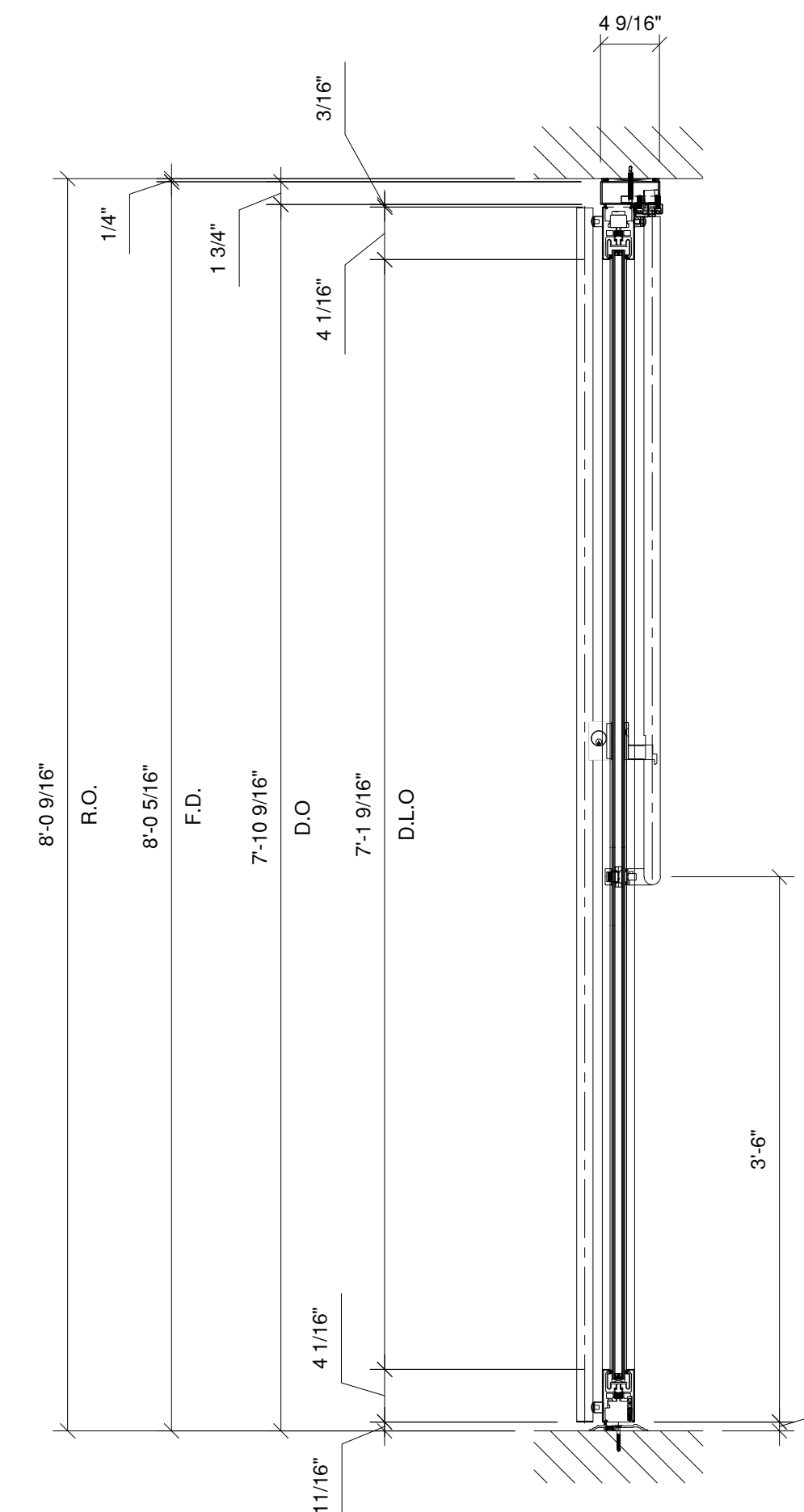
ENTICE HP+ SERIES ENTRANCE SYSTEM  
 - OFFSET HUNG DOUBLE DOORS WITH 4 INCH BOTTOM RAIL



**1 PLAN**  
 1" = 1'-0" ARCH. REF.: N/A



**2 EXTERIOR ELEVATION**  
 1" = 1'-0" ARCH. REF.: N/A



**3 DOOR SECTION**  
 1" = 1'-0" ARCH. REF.: N/A

Revisions By:

**CRL**

2500 E. Vernon Avenue, Los Angeles, CA 90058, 1897  
 PH: (800)-421-1144 FX: (800)-587-7501 www.crlaurence.com

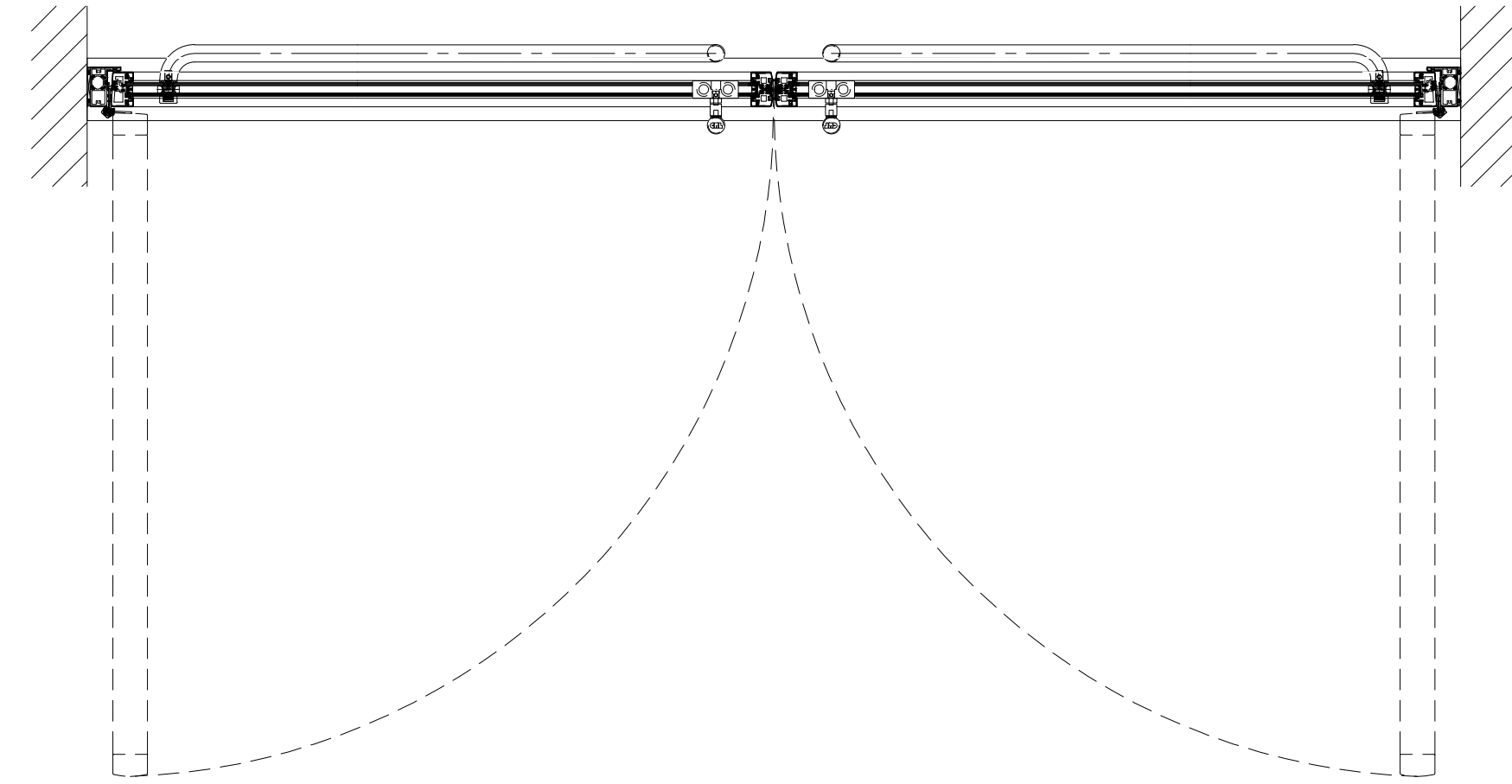
Description:  
 ENTICE HP+ SERIES  
 ENTRANCE SYSTEM  
 CLAD IN STAINLESS STEEL  
 OR BRASS + ALUMINUM

Drawn By: RPD  
 Date: 07/07/23  
 Scale: AS NOTED  
 File Name:  
 Entice Entrance System HP+.dwg

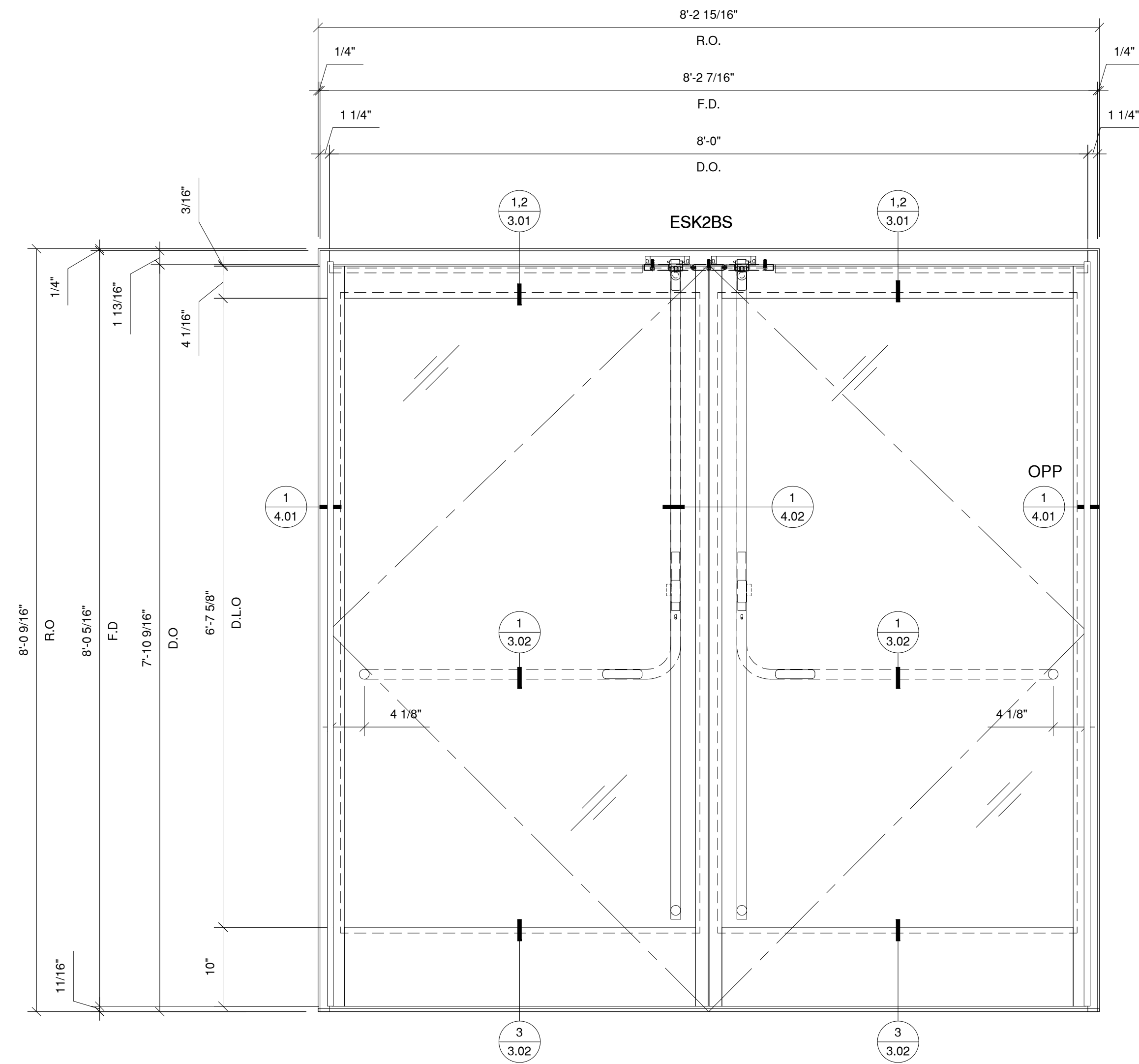
Sheet

2.01

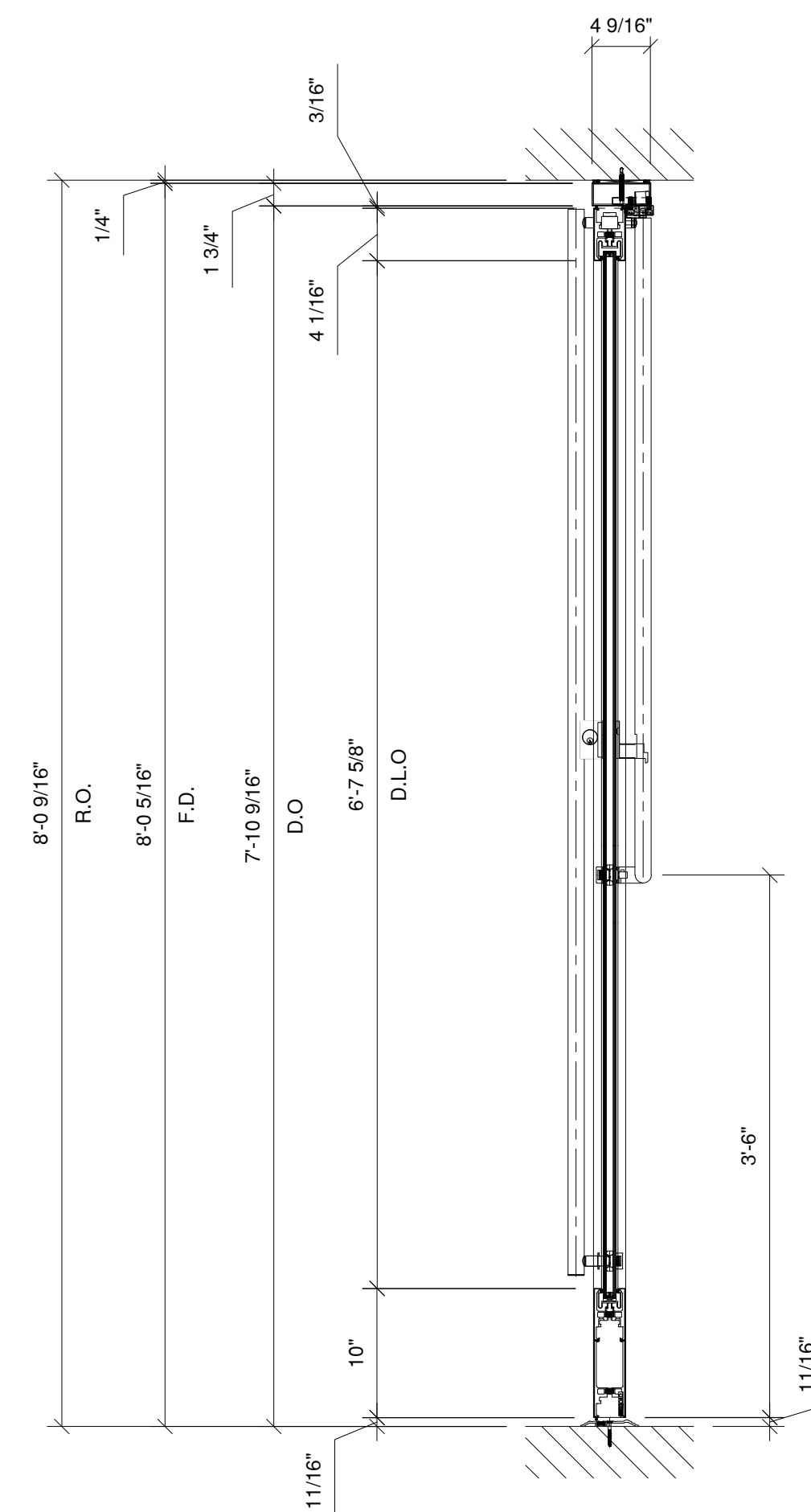
ENTICE HP+ SERIES ENTRANCE SYSTEM  
 - OFFSET HUNG DOUBLE DOORS WITH 10 INCH BOTTOM RAIL



**1** PLAN  
 1" = 1'-0" ARCH. REF.: N/A



**2** EXTERIOR ELEVATION  
 1" = 1'-0" ARCH. REF.: N/A



**3** DOOR SECTION  
 1" = 1'-0" ARCH. REF.: N/A

Revisions By:

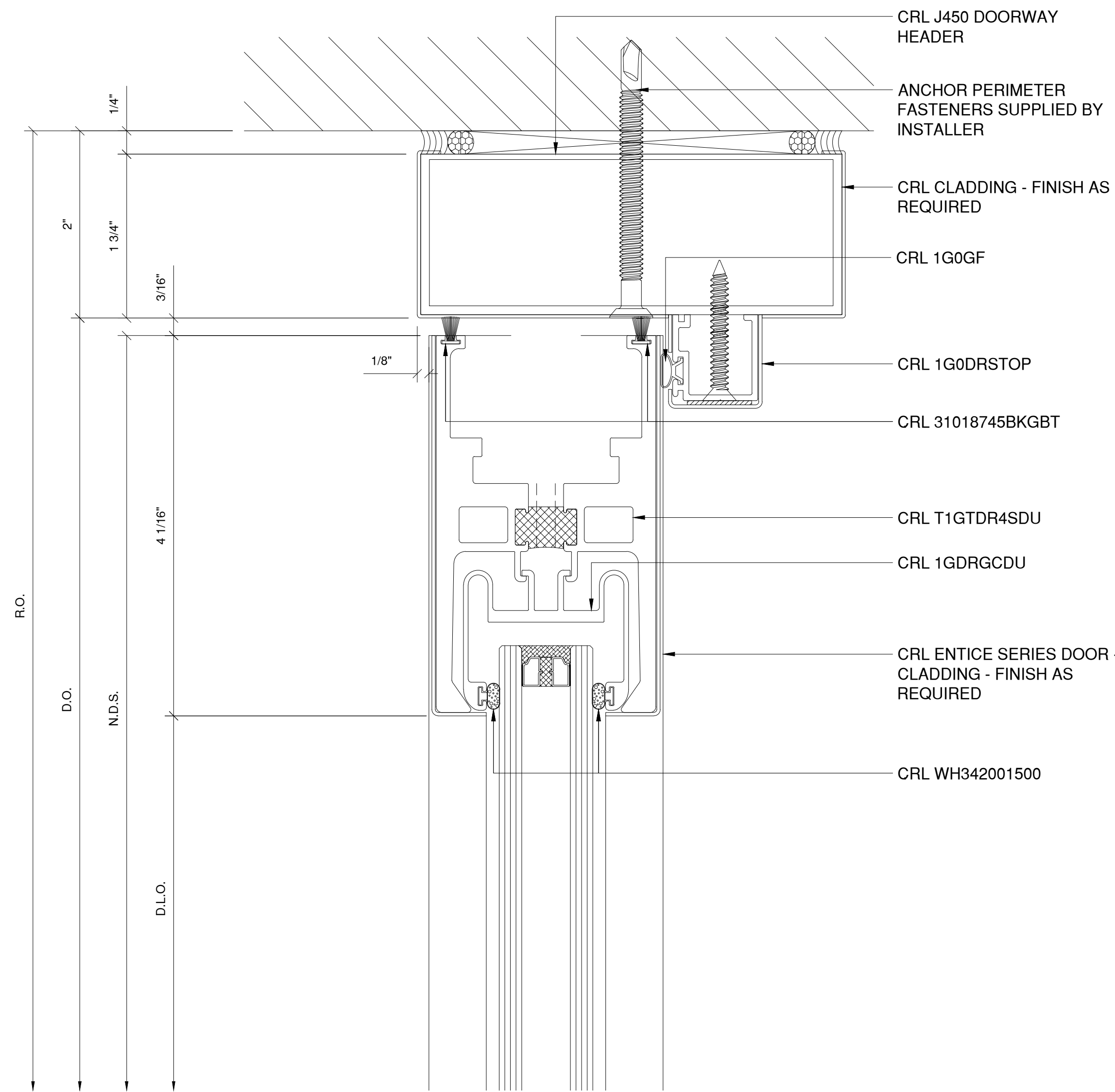
**CRL**

2500 E. Vernon Avenue, Los Angeles, CA 90058, 1997  
 PH: (800)-421-6144 FX: (800)-587-7501 www.crlaurence.com

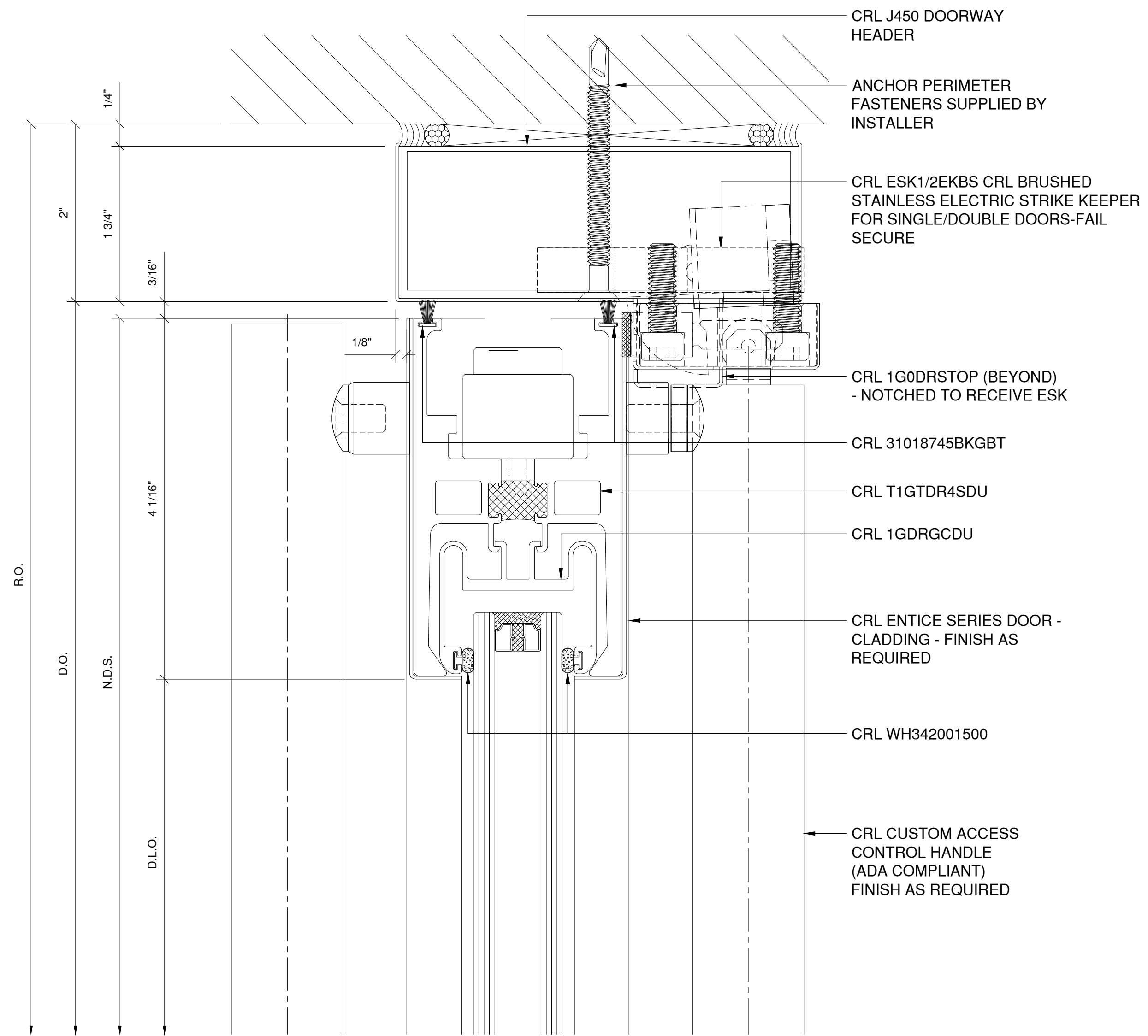
Description:  
 ENTICE HP+ SERIES  
 ENTRANCE SYSTEM  
 CLAD IN STAINLESS STEEL  
 OR BRASS + ALUMINUM

Drawn By: RPD  
 Date: 07/07/23  
 Scale: AS NOTED  
 File Name:  
 Entice Entrance System HP+.dwg  
 Sheet

# ENTICE HP+ DOOR TOP RAIL HEADER



**1** DOOR HEADER  
1'-0" = 1'-0" ARCH. REF.: N/A



**2** DOOR HEADER (SECTION @ ESK)  
1'-0" = 1'-0" ARCH. REF.: N/A

Revisions By:

**CRL**

2500 E. Vernon Avenue, Los Angeles, CA 90058, 1897  
PH: (800)-421-6144 FX: (800)-587-7501 www.chauvence.com

Description:

ENTICE HP+ SERIES  
ENTRANCE SYSTEM  
CLAD IN STAINLESS STEEL  
OR BRASS + ALUMINUM

Drawn By: RPD

Date: 07/07/23

Scale: AS NOTED

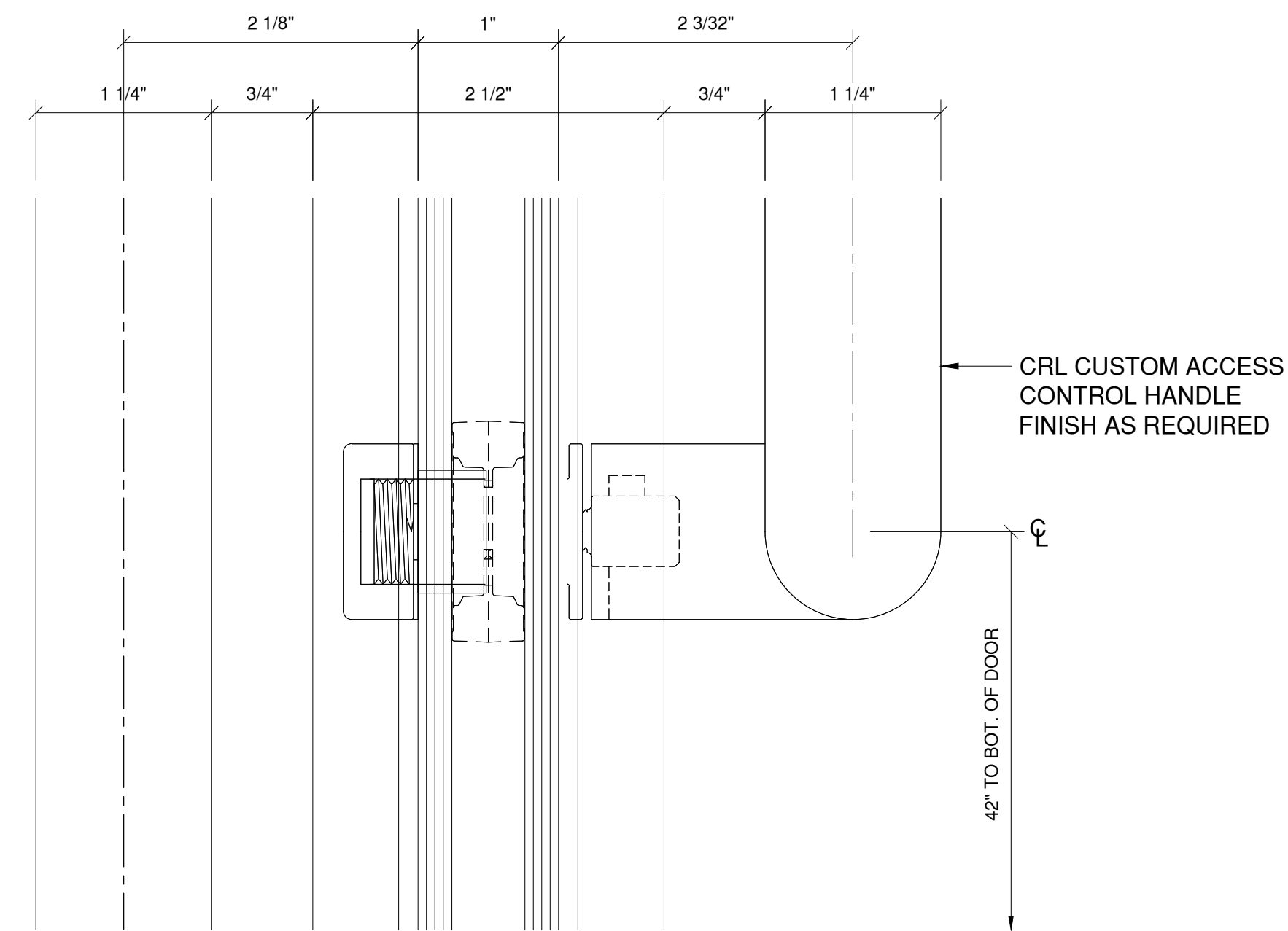
File Name:

Entice Entrance System HP+.dwg

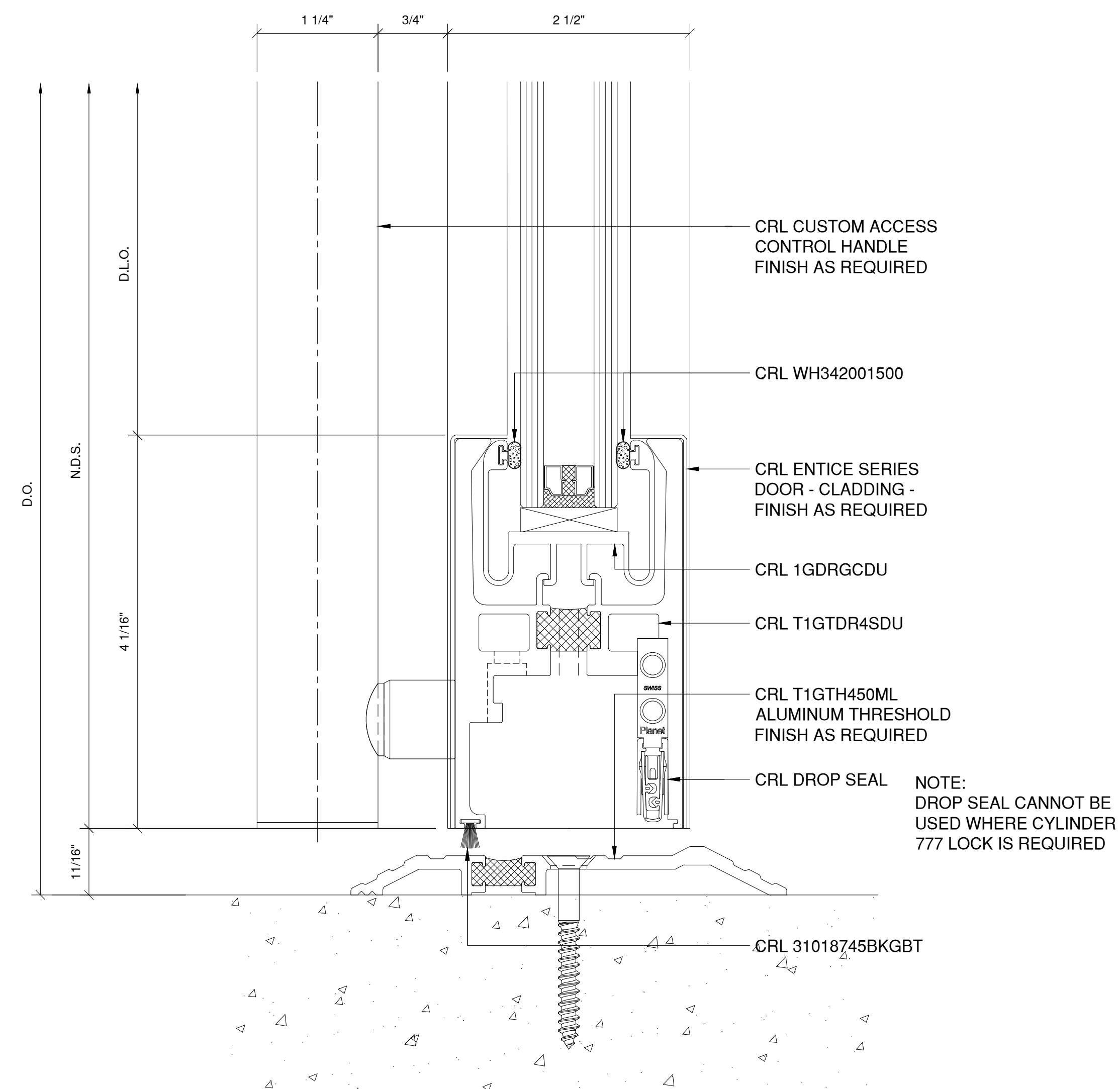
Sheet

3.01

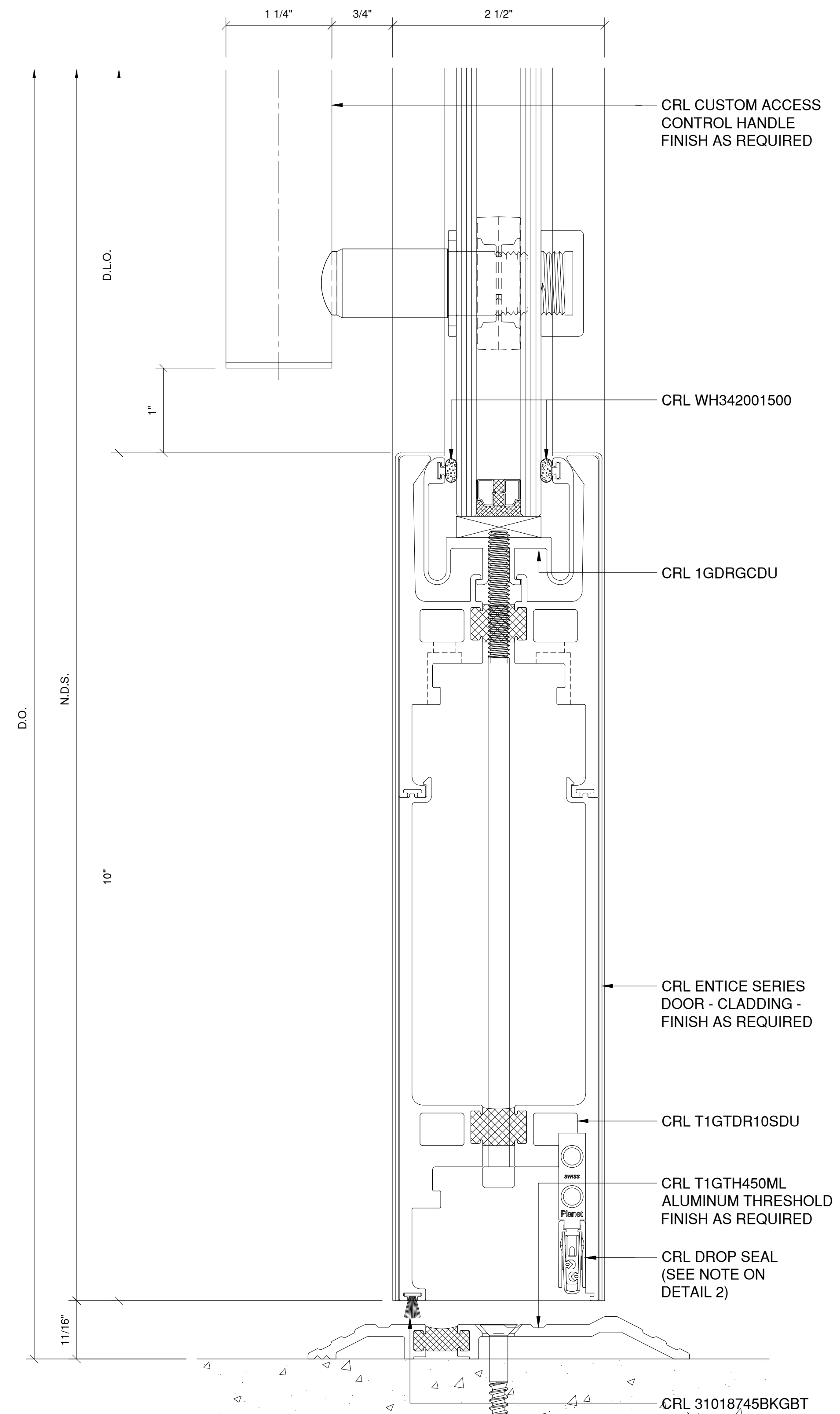
# ENTICE HP+ DOOR BOTTOM RAIL



**1 ACCESS CONTROL HANDLE CYLINDER**  
 1'-0" = 1'-0" ARCH. REF.: N/A



**2 4\"/>
 1'-0" = 1'-0" ARCH. REF.: N/A**



**3 10\"/>
 1'-0" = 1'-0" ARCH. REF.: N/A**

Revisions By:



2500 E. Vernon Avenue, Los Angeles, CA 90058, 1897  
 PH: (800)-421-1444 FX: (800)-587-7501 www.crlaurence.com

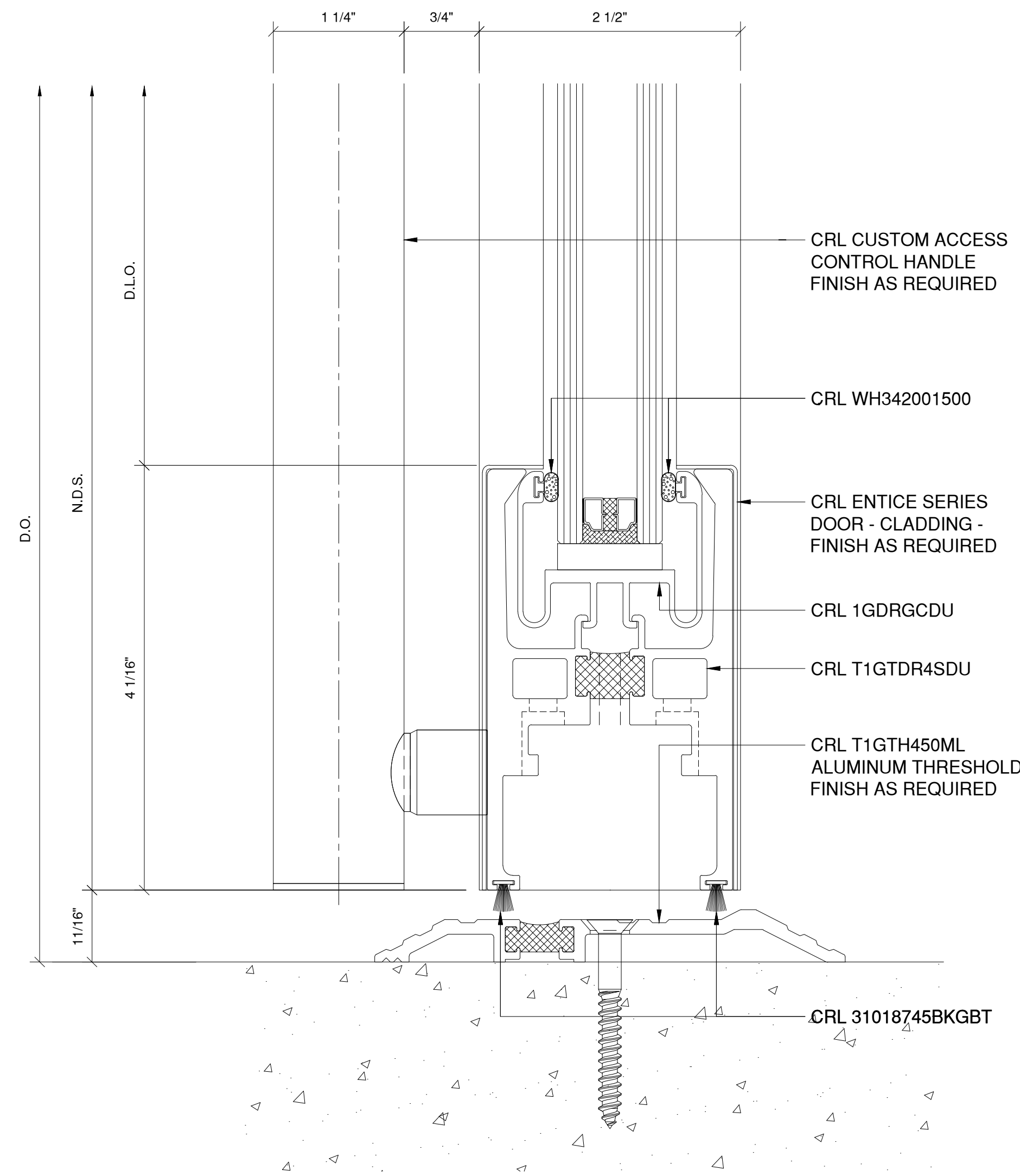
Description:  
 ENTICE HP+ SERIES  
 ENTRANCE SYSTEM  
 CLAD IN STAINLESS STEEL  
 OR BRASS + ALUMINUM

Drawn By: RPD  
 Date: 07/07/23  
 Scale: AS NOTED  
 File Name:  
 Entice Entrance System HP+.dwg

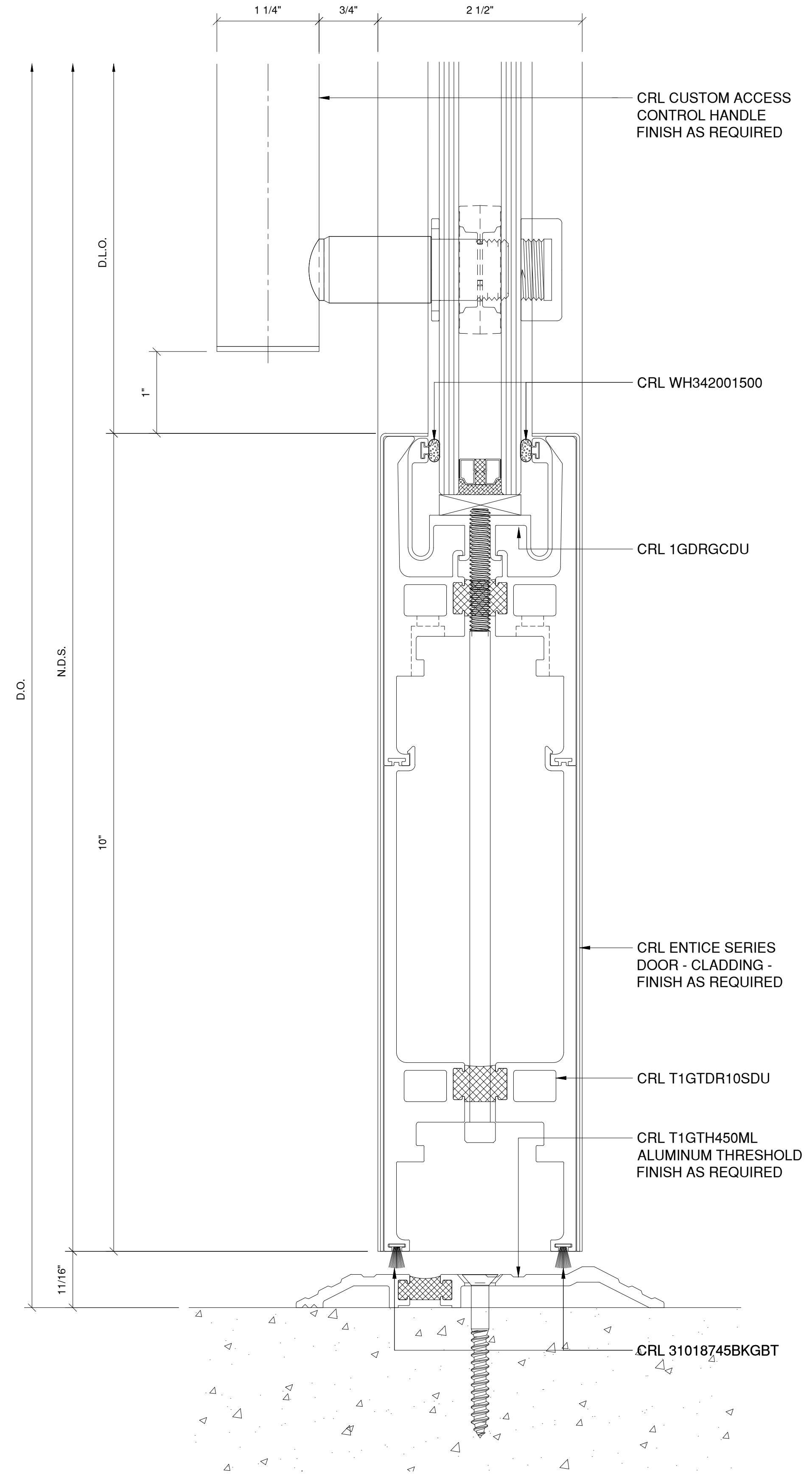
Sheet

3.02

# ENTICE HP+ DOOR BOTTOM RAIL



**1 4" BOTTOM DOOR RAIL**  
1'-0" = 1'-0" ARCH. REF.: N/A



**2 10" BOTTOM DOOR RAIL**  
1'-0" = 1'-0" ARCH. REF.: N/A

Revisions By:

**CRL**

2500 E. Vernon Avenue, Los Angeles, CA 90058, 1997  
PH: (800)-421-1444 FX: (800)-587-7501 www.claurence.com

Description:  
**ENTICE HP+ SERIES  
ENTRANCE SYSTEM  
CLAD IN STAINLESS STEEL  
OR BRASS + ALUMINUM**

Drawn By: RPD  
Date: 07/07/23  
Scale: AS NOTED  
File Name:  
Entice Entrance System HP+.dwg  
Sheet

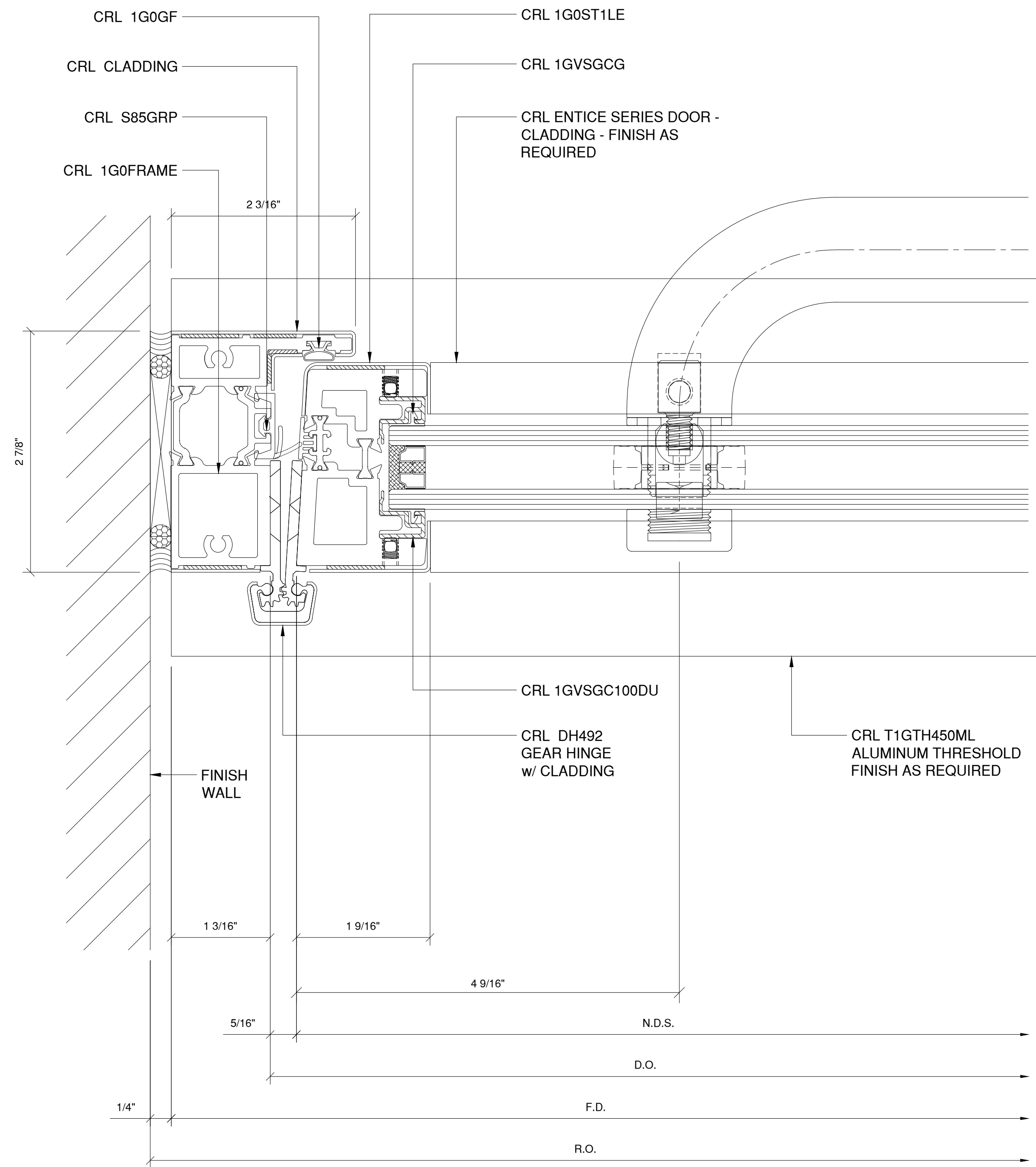
**3.03**

# ENTICE HP+ DOOR HINGE STILE (WITH GEAR HINGE) / DOOR LEAD STILE & WALL-MOUNT JAMBS

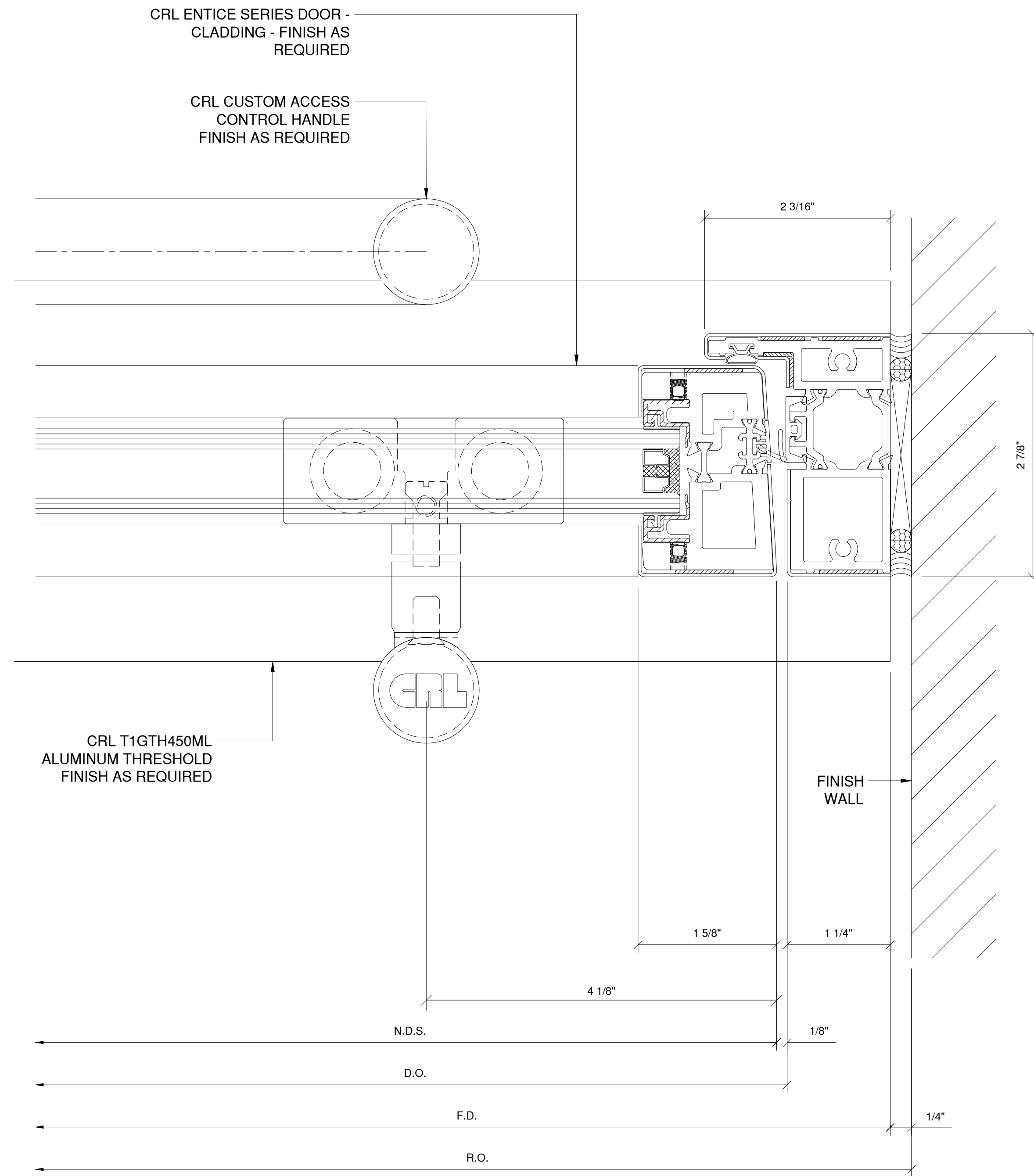
Revisions By:

# CRL

2500 E. Vernon Avenue, Los Angeles, CA 90058, 1997  
PH: (800)-421-6144 FX: (800)-587-7501 www.claurence.com



**1** DOOR JAMB AT WALL  
1'-0" = 1'-0" ARCH. REF.: N/A



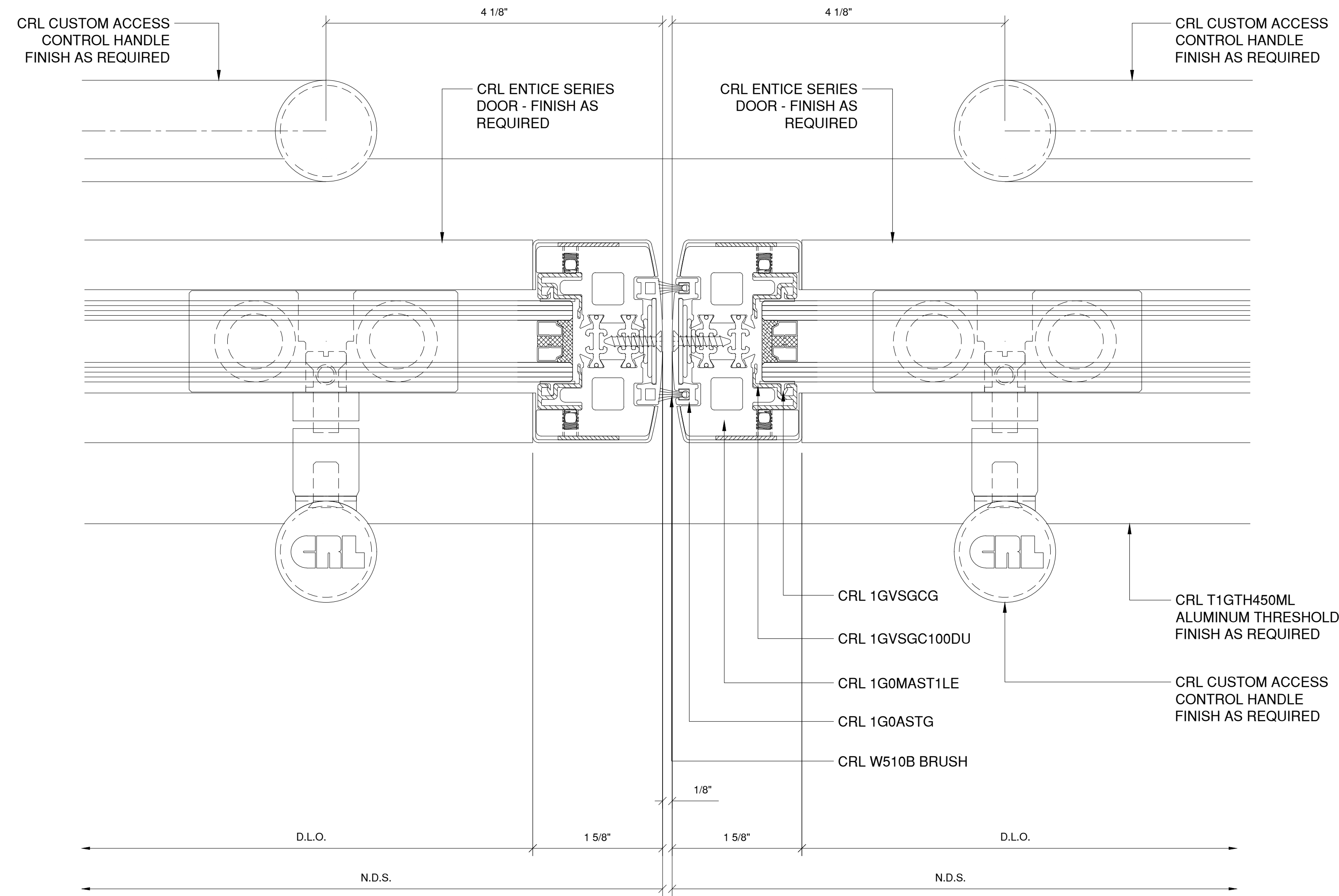
**2** DOOR JAMB AT WALL  
1'-0" = 1'-0" ARCH. REF.: N/A

Description:  
ENTICE HP+ SERIES  
ENTRANCE SYSTEM  
CLAD IN STAINLESS STEEL  
OR BRASS + ALUMINUM

Drawn By: RPD  
Date: 07/07/23  
Scale: AS NOTED  
File Name:  
Entice Entrance System HP+.dwg  
Sheet



# ENTICE HP+ DOOR MEETING STILES



**1 MEETING STILE**  
1'-0" = 1'-0" ARCH. REF.: N/A

Revisions By:

**CRL**

2500 E. Vernon Avenue, Los Angeles, CA 90058-1897  
PH: (800)-421-6144 FX: (800)-587-7501 www.claurence.com

Description:  
ENTICE HP+ SERIES  
ENTRANCE SYSTEM  
CLAD IN STAINLESS STEEL  
OR BRASS + ALUMINUM

Drawn By: RPD  
Date: 07/07/23  
Scale: AS NOTED  
File Name:  
Entice Entrance System HP+.dwg

Sheet

4.02