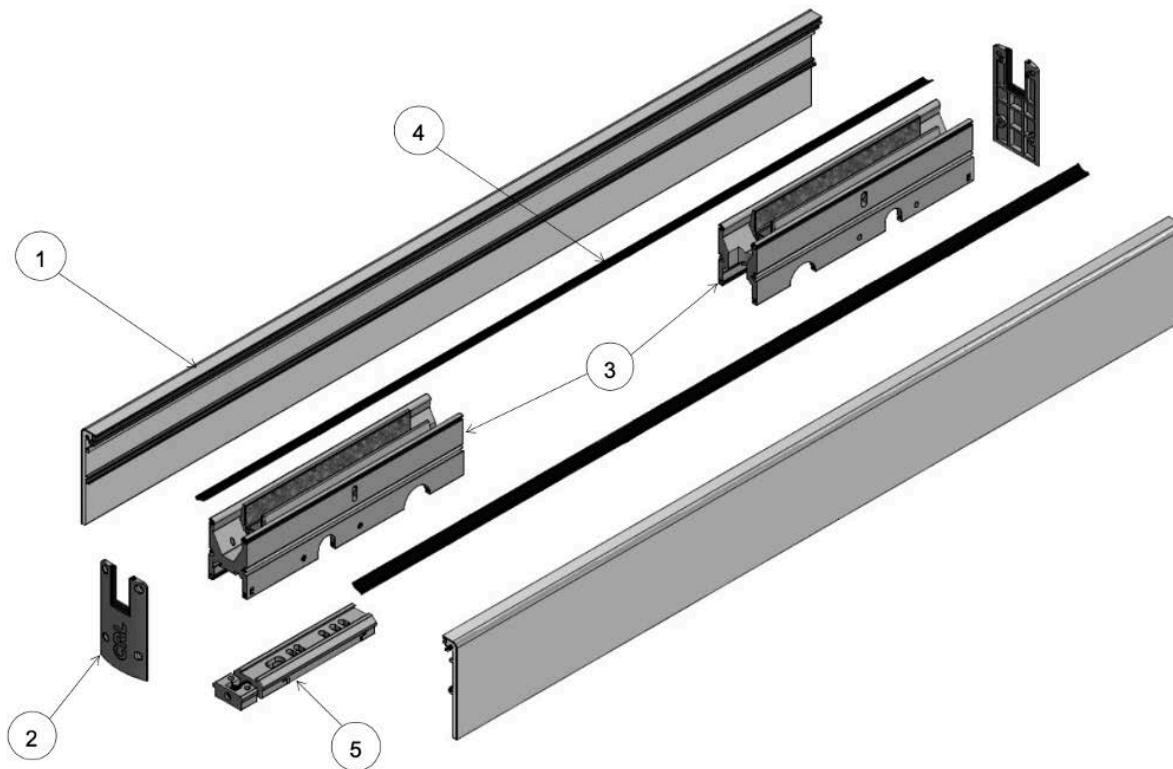


CRL | DRX™ Modular Door Rail Parts List



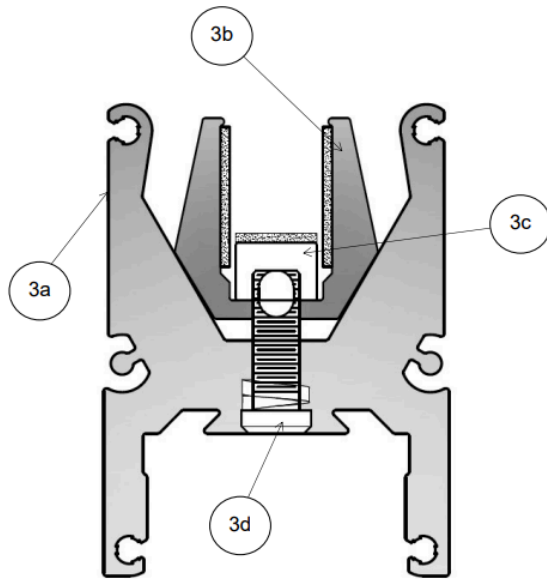
PART LEGEND

- ① SIDE COVERS (110" STOCK LENGTH)
4" SQUARE
DRXSC4SXXH - PREP FOR PANIC
DRXSC4SXXL - PREP FOR LOCK
DRXSC4SXXS - BLANK (NO PREP)
4" TAPERED
DRXSC4TXXH - PREP FOR PANIC
DRXSC4TXXL - PREP FOR LOCK
DRXSC4TXXS - BLANK (NO PREP)
- ② END CAPS
4" SQUARE
DRXEC4SXX - END CAP W/FILLERS
4" TAPERED
DRXEC4TXX - END CAP W/FILLERS
- ③ ASSEMBLED BODY
DRXBPL38 - 3/8" GLASS
DRXBPL12 - 1/2" GLASS
DRXBPL58 - 5/8" GLASS
DRXBPL34 - 3/4" GLASS
- ④ GASKET
DRXG - 100" LENGTH (BLACK)
- ⑤ SLIDE BLOCK
DRX6K - W/ (2) #10-24 X 7/8" HEX DRIVE

XX = FINISH

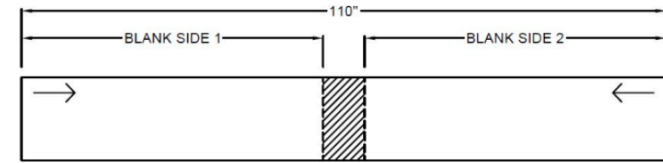
- SA** = SATIN ANODIZED
- DU** = BLACK/BRONZE ANODIZED
- BL** = POWDER COAT BLACK SEMI-GLOSS
- MBL** = POWDER COAT MATTE BLACK LAVA
- BS** = BRUSHED SAINLESS (CLADDED)
- PS** = POLISHED SAINLESS (CLADDED)
- SB** = SATIN BRASS (CLADDED)
- PB** = POLISHED BRASS (CLADDED)
- PT** = CUSTOM PAINTED (SAMPLE REQUIRED)

CRL | DRX™ Modular Door Rail Parts List

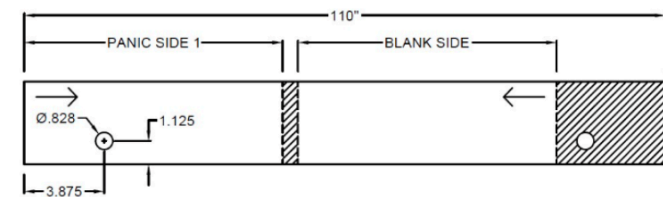
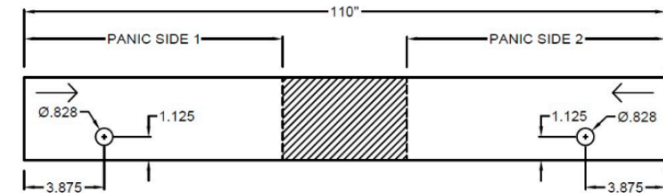


LEGEND:

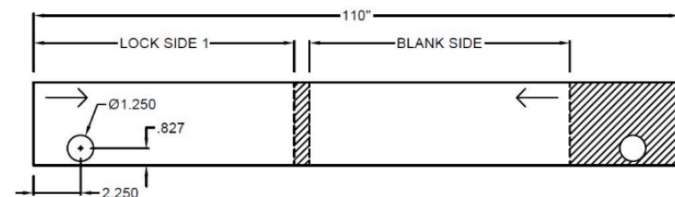
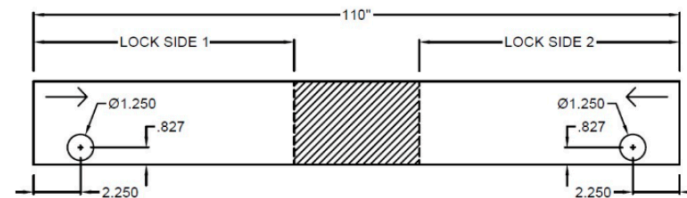
- 3a** BODY PARTS (EXTRUSION BODY)
 DRXBPL — FABRICATED BODY ONLY 10-1/2" LONG
- 3b** BODY PARTS (CLAMP)
 DRXGC — GLASS CLAMP
 DRXGC38 — GLASS CLAMP FOR 3/8" (THICKER CORK)
- 3c** BODY PARTS (NUT STRIP)
 DRXNS38 — FOR 3/8" GLASS
 DRXNS12 — FOR 1/2" GLASS
 DRXNS58 — FOR 5/8" GLASS
 DRXNS34 — FOR 3/4" GLASS
- 3d** BODY PARTS (BOLT)
 DRXSHS58 — 1/4" - 28 X 5/8" LONG HEX DRIVE (W/ NYLON PATCH)



DRX SIDE COVER FABRICATION (NO PREP)



DRX SIDE COVER FABRICATION WITH ACH (BLUMCRAFT PANIC/EGRESS/DEADBOLT)



DRX SIDE COVER FABRICATION WITH PREP FOR LOCK (CRL 777S)