

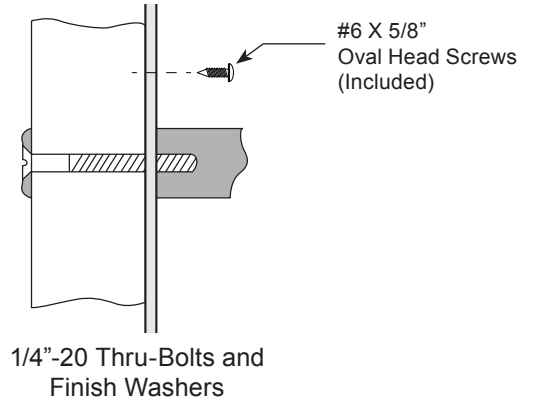
CRL ALUMINUM DOOR MOUNTED STANDARD PULL HANDLES

CRL PULL HANDLE WITH PUSH PLATE

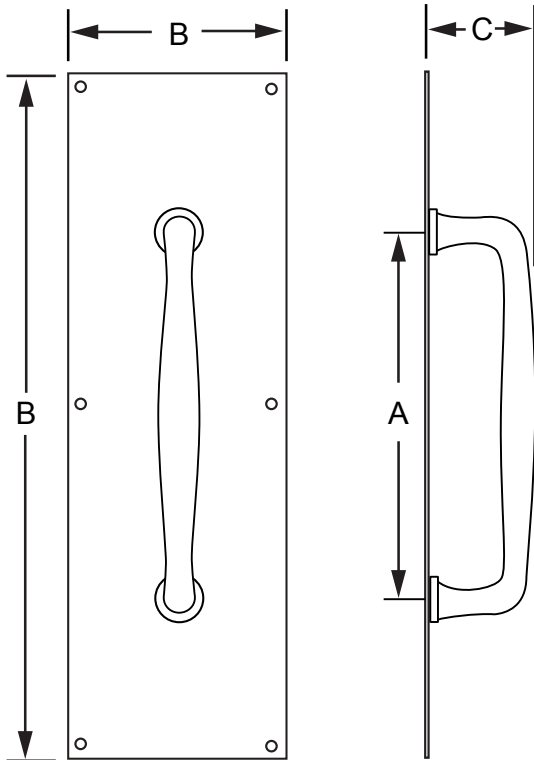


CAT. NO.
 57N
 57PB
 57SS

INCLUDED MOUNTING HARDWARE



MOUNTING TEMPLATE



FINISH
57N = SATIN ALUMINUM
57PB = POLISHED BRASS
57SS = BRUSHED STAINLESS

NOTE: Please select appropriate Cat. No. for color and finish.

A	B	C
5-1/2" (140 mm)	4" x 16" (102 x 406 mm) Plate	2" (51 mm)

Mounting Options	Wood/Aluminum up to 1-3/4" (45 mm)
Mounting Hardware	Included

NOTE: Optional hardware kits must be purchased separately.

