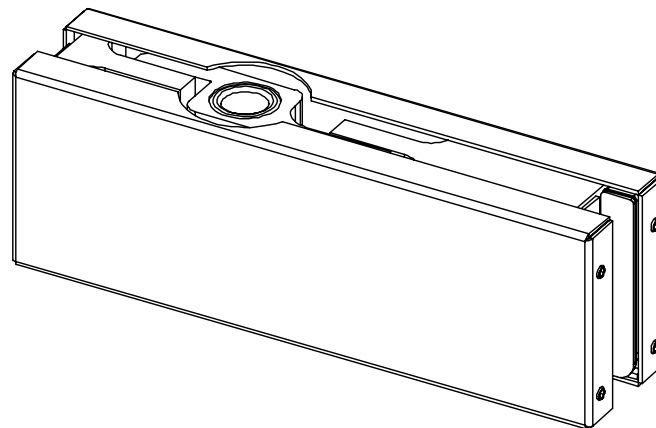


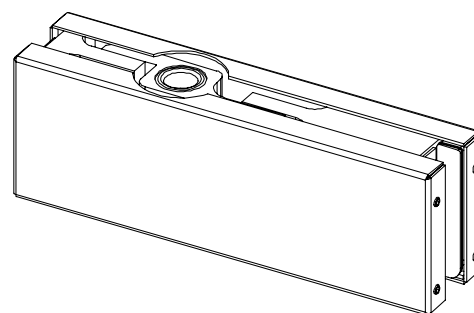
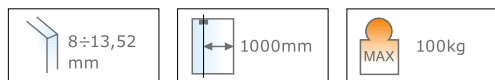
CRL HYDRAULIC TOP PATCH FITTING



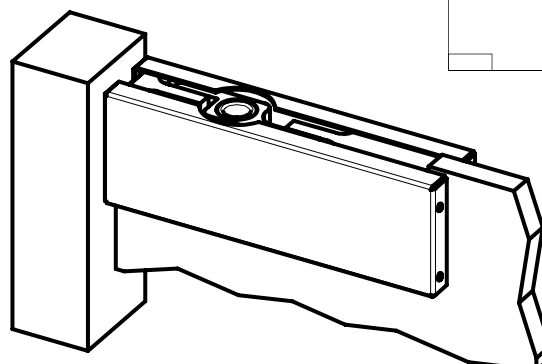
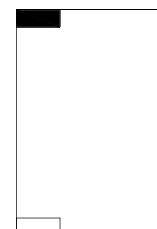
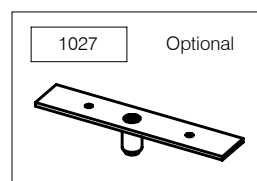
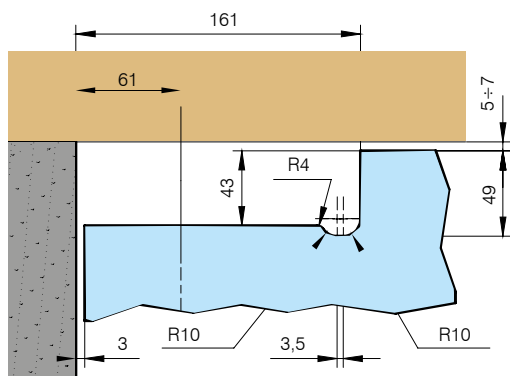
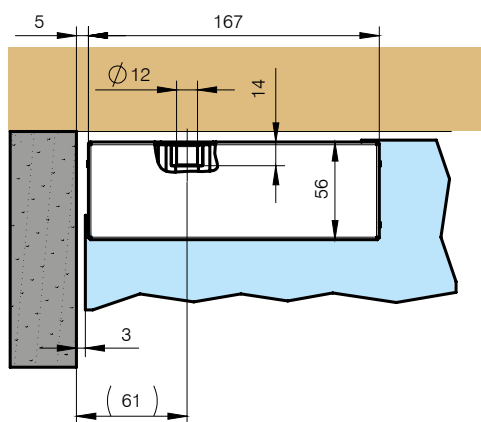
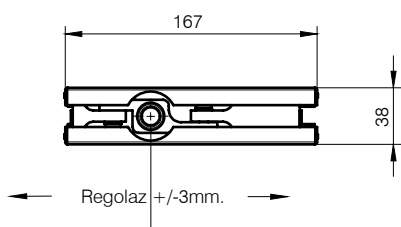
Technical details

CRL Hydraulic Outer Door Hinge

CAUTION: For installations in particular environments or climate (ex. wet, acid, saline) consult sales office first



- Cerniera superiore
- Bisagra superior
- Top hinge
- Oberes Band
- Charnière supérieure



Lavorazione vetro per applicazione pivotante - Labrado del vidrio en aplicación con "punto de giro" - Glass processing for pivoting applications - Glasbearbeitung für schwenkende Installation Transformation du verre pour application pivotante

