



**C.R. LAURENCE CO., INC.**  
PROFESSIONAL QUALITY

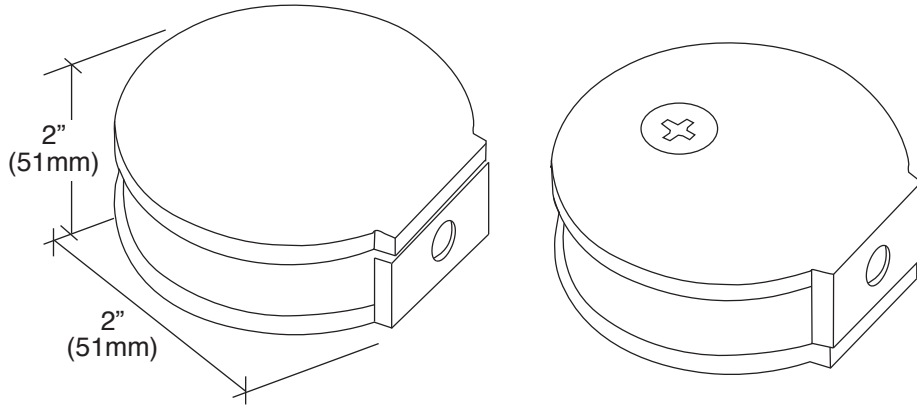
## Specifications:

**Material:** Solid brass

**Glass Thickness Range:** 5/16" (8mm) to 1/2" (12mm)

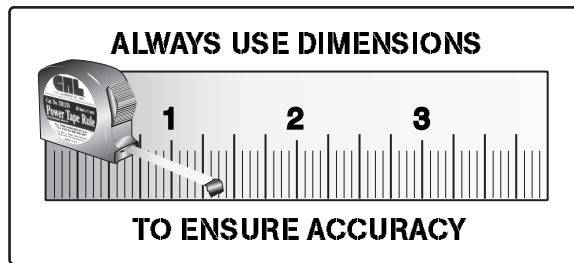
**Hole Size Required:** 5/8" (16mm) or 3/4" (19mm)

**Includes:** Mounting screws and gaskets



FRONT VIEW

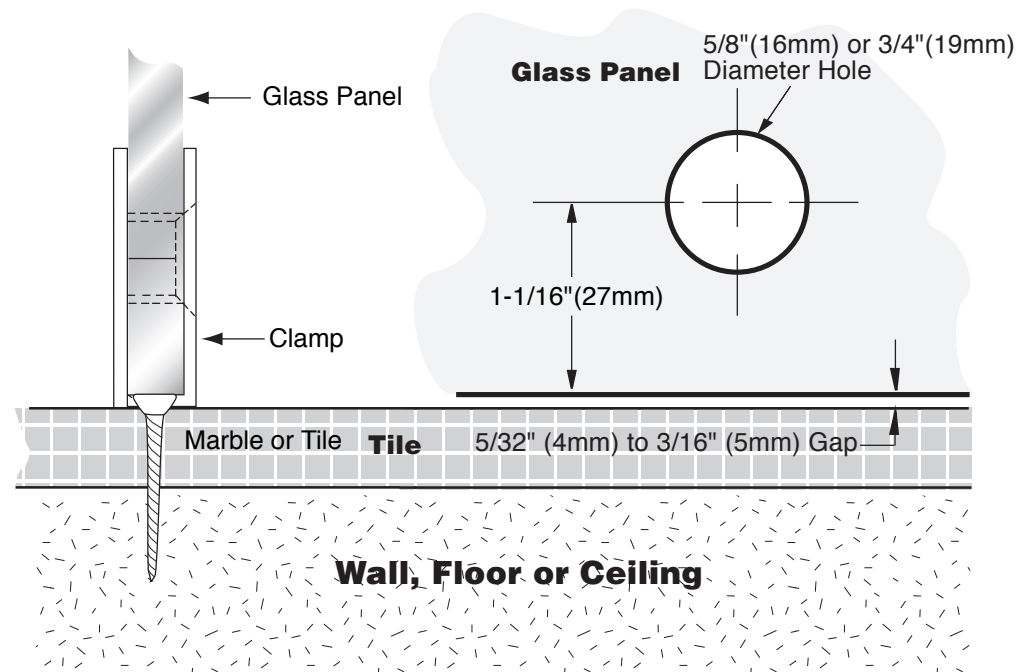
REAR VIEW



## TEMPLATE

**Important:** Project measurements from the edge of the glass

## TYPICAL INSTALLATION



## GLASS CLAMPS

Fixed Panel Round Style

Cat. No. RC79

C.R. Laurence Co., Inc.  
crlaurence.com

For technical assistance in the United States call toll free (800) 421-6144; from Canada call toll free (877) 421-6144; Outside the U.S. and Canada call (323) 588-1281. Ask for Tech Sales at Extension 7740. Toll free fax (800) 458-7496.

© Copyright 2009, C.R. Laurence Co., Inc\_SDT21\_US