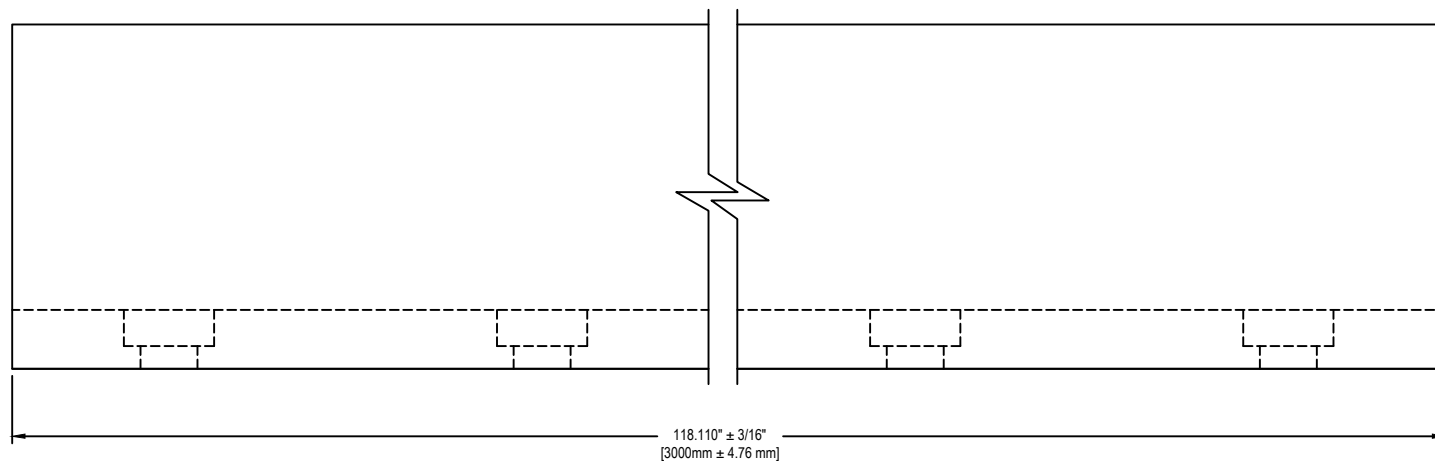
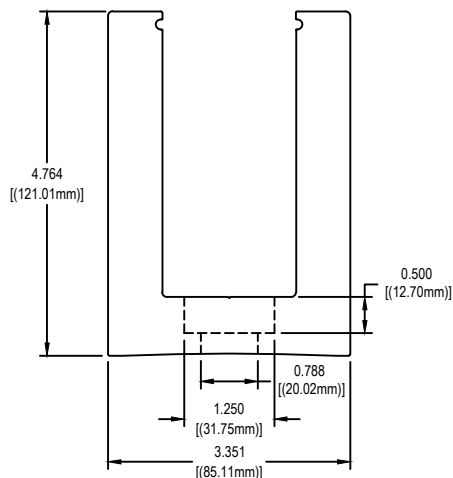
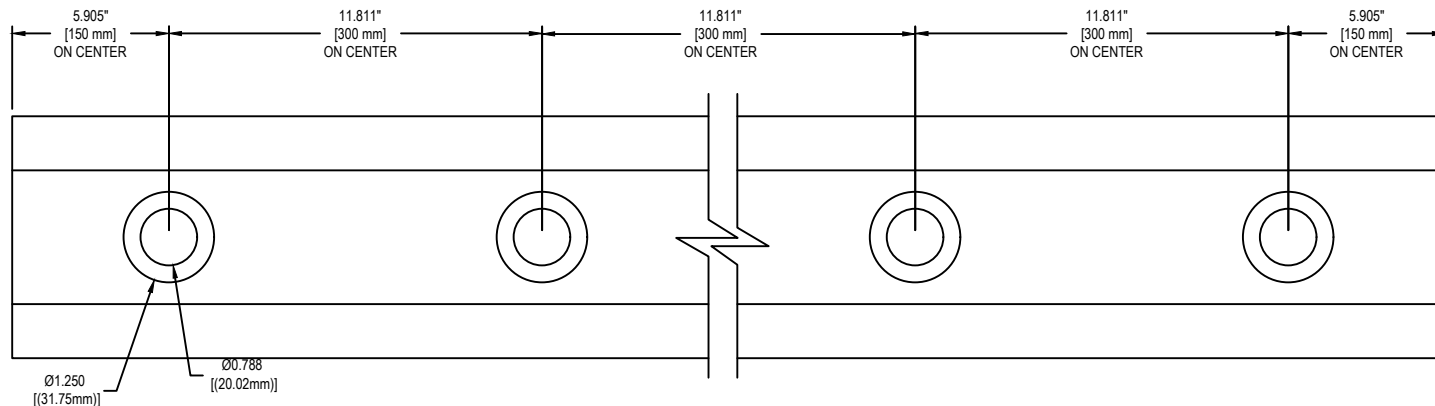
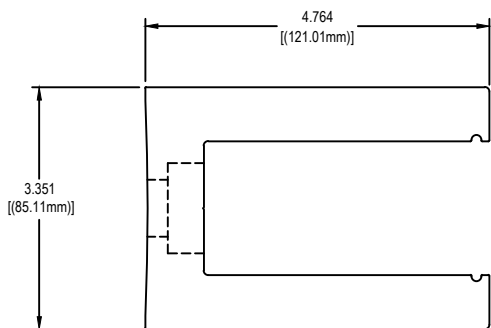


25.5 mm Laminated Glass Base Shoe bottom mounting holes



<p>UNLESS OTHERWISE SPECIFIED DIMENSIONS ARE IN INCHES TOLERANCE IS:</p> <p>Frac ± 1/16</p> <p>.XX ± .010</p> <p>.XXX ± .005</p> <p>ANGLES ± .5</p> <p>RADIAL</p>					<p>CRL C.R. Laurence Co., Inc</p> <p>2100 E. 38TH STREET VERNON, CA 90058</p> <p>PHONE: (323) 588-1281 FAX: (323) 232-2523</p>	
						<p>DRAWN BY: CQ</p> <p>SCALE: NTS</p> <p>DATE: 12/16/08</p> <p>PART NUMBER: L25S10D</p>
	REV.	DESCRIPTION	DATE	BY	<p>PART: 25.5 mm Lami Glass fab base shoe</p> <p>PRODUCT: HRS</p>	
	<p>THIS DRAWING AND THE DESIGN SHOWN THEREIN IS THE PROPERTY OF C.R.LAURENCE CO., INC. AND USE OR COPIES THEREOF CANNOT BE MADE WITHOUT WRITTEN CONSENT.</p>					<p>NOTE: Mill Aluminum 6063 T52</p> <p>DRAWING NUMBER: L25S10D</p>