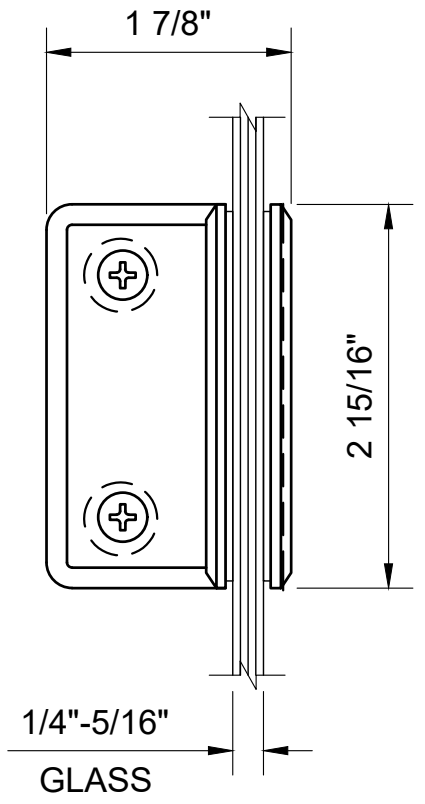
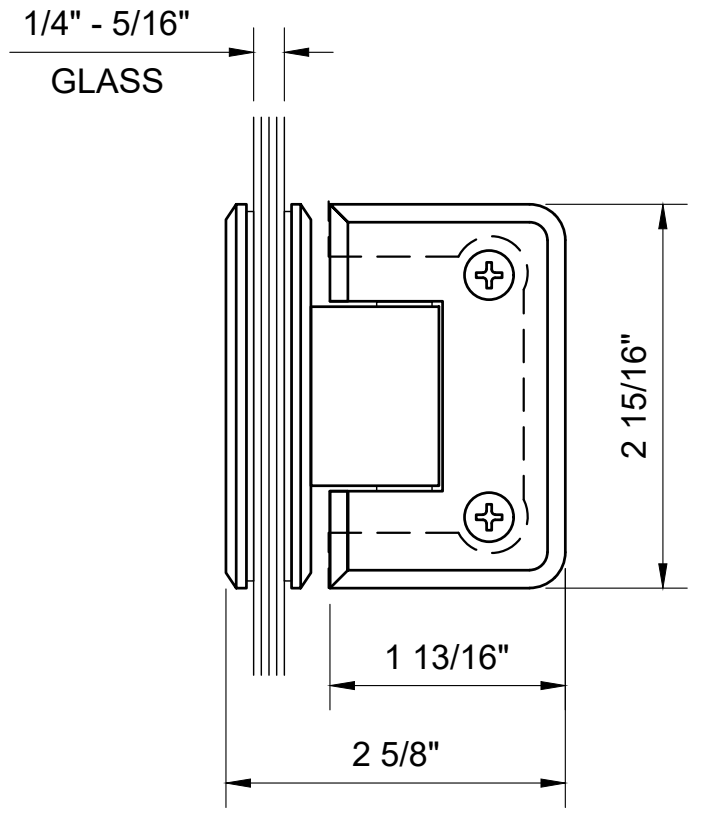
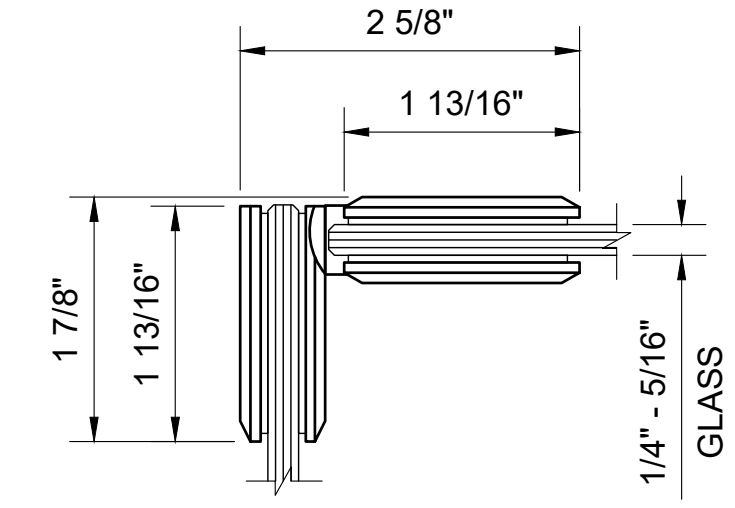


USE OF GASKETS
 FOR 1/4" (6mm) GLASS: USE ONE THICK GASKET ON EACH SIDE
 FOR 5/16" (8mm) GLASS: USE ONE THIN GASKET ON EACH SIDE



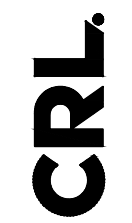
CATALOG NUMBER	FINISH
TR1092CH	POLISHED CHROME
TR1092BR	POLISHED BRASS
TR1092BN	BRUSHED NICKEL
TR1092GP	GOLD PLATE
TR1092SC	SATIN CHROME
TR1092WC	WHITE W/ CHROME ACCENT

TR1092XX - CRL TRIANON SERIES 90° GLASS TO GLASS MOUNT HINGE

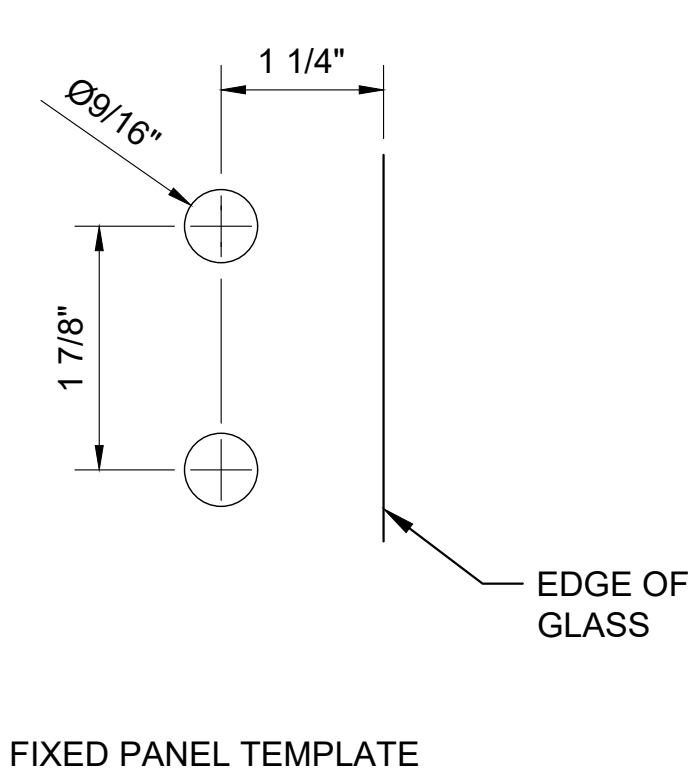
DATE: 3/11/19
 SCALE: 6"=1'-0"
 DRAWN BY: VM

DESCRIPTION: CRL TRIANON 092 SERIES HINGE
 CTS
 CRL TR1092__ 90 DEGREE GLASS TO GLASS HINGE

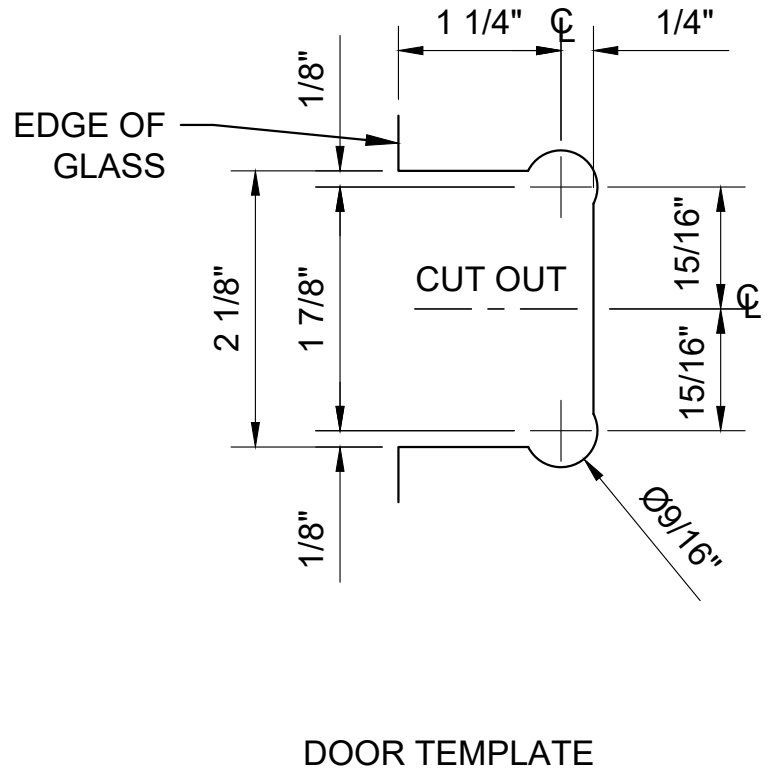
C.R. LAURENCE CO. ARCHITECTURAL PRODUCTS
 2503 E. Vernon Avenue, Los Angeles, C.A 90058-1897
 PH (800)-421-6144 FX: 800-587-7501 www.crlaurence.com



USE OF GASKETS
FOR 1/4" (6mm) GLASS: USE ONE THICK GASKET ON EACH SIDE
FOR 5/16" (8mm) GLASS: USE ONE THIN GASKET ON EACH SIDE



FIXED PANEL TEMPLATE



DOOR TEMPLATE

CATALOG NUMBER	FINISH
TR1092CH	POLISHED CHROME
TR1092BR	POLISHED BRASS
TR1092BN	BRUSHED NICKEL
TR1092GP	GOLD PLATE
TR1092SC	SATIN CHROME
TR1092WC	WHITE W/ CHROME ACCENT

CRL - TR1092XX GLASS FABRICATION TEMPLATES

DATE:	3/11/19
SCALE:	6"=1'-0"
DRAWN BY:	VM

DESCRIPTION: CRL TRIANON 092 SERIES HINGE
CTS
C:\TR1092_90 DEGREE GLASS TO GLASS HINGE

C.R. LAURENCE CO. ARCHITECTURAL PRODUCTS
2503 E. Vernon Avenue, Los Angeles, C.A 90058-1897
PH (800)-421-6144 FX: 800-587-7501 www.crlaurence.com

